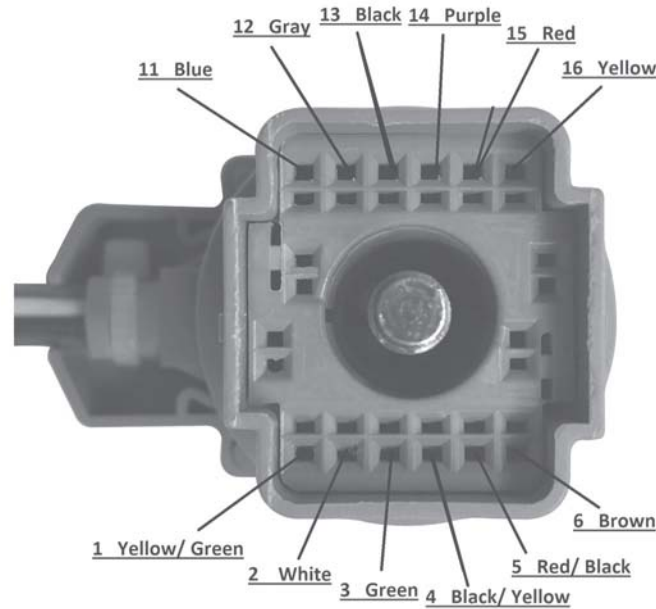




350-0165

5R55W External Wire Harness Repair Kit With Connector



Common Set up

1 Yellow/ Green	Pressure Control Solenoid B (PCB)
2 White	Transmission Fluid Temperature (TFT) Input Sensor
3 Green	Voltage supplied in start & run
4 Black/ Yellow	PCC Solenoid C
5 Red/ Black	Shift Solenoid D
6 Brown	Shift Solenoid C
11 Blue	Pressure Control Solenoid A (PCA)
12 Gray	Signal, Return
13 Black	Not used
14 Purple	TCC Solenoid
15 Red	Shift Solenoid B
16 Yellow	Shift Solenoid A

Rostra advises you splice one connection at a time, matching the correct number position (diagram above).

If possible, use your existing harness as reference.