



# ROMIK

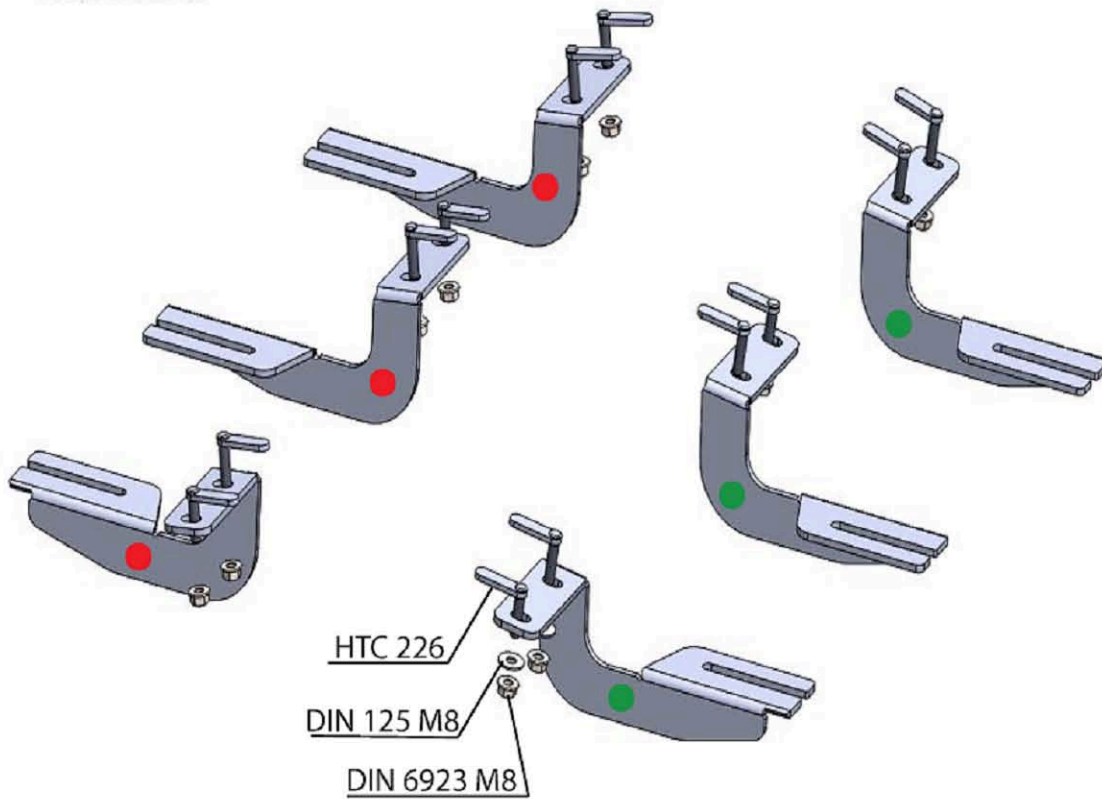
5518 Chevy Captiva Sport 2013-2015

Installation Instructions



55 Minutes

M6 = 8 Ft.Lb  
M8 = 18 Ft.Lb  
M10 = 35 Ft.Lb



**FRONT**



ITEM/NO	PART NAME/PARÇA ADI	QTY/ADET
1	5518100850F0 PASSENGER	2
2	5518100850B0 PASSENGER	1
3	HTC 226 M8x30	12
4	5518100850B0 DRIVER	1
5	5518100850F0 DRIVER	2



1) Locate factory mounting points on vehicle. NOTE some vehicles may have rubber plugs covering the holes please dispose of them. Image #1

2) Insert HTC 226 with HTC 271 on two mounting points image #1

3) Install front mounting bracket as shown on image #2 do not tighten

4) Repeat same procedure on middle bracket

5) Locate rear mounting points as shown in image #3

6) Insert HTC 261 with HTC 271 image #3

7) Install rear bracket as shown on image #4 do not tighten

Step install procedures

8) Loosen 8mm nuts on steps, do not remove

9) Slide step onto bracket making sure 8mm washer is against metal bracket hand tight only

10) Align steps and adjust to liking

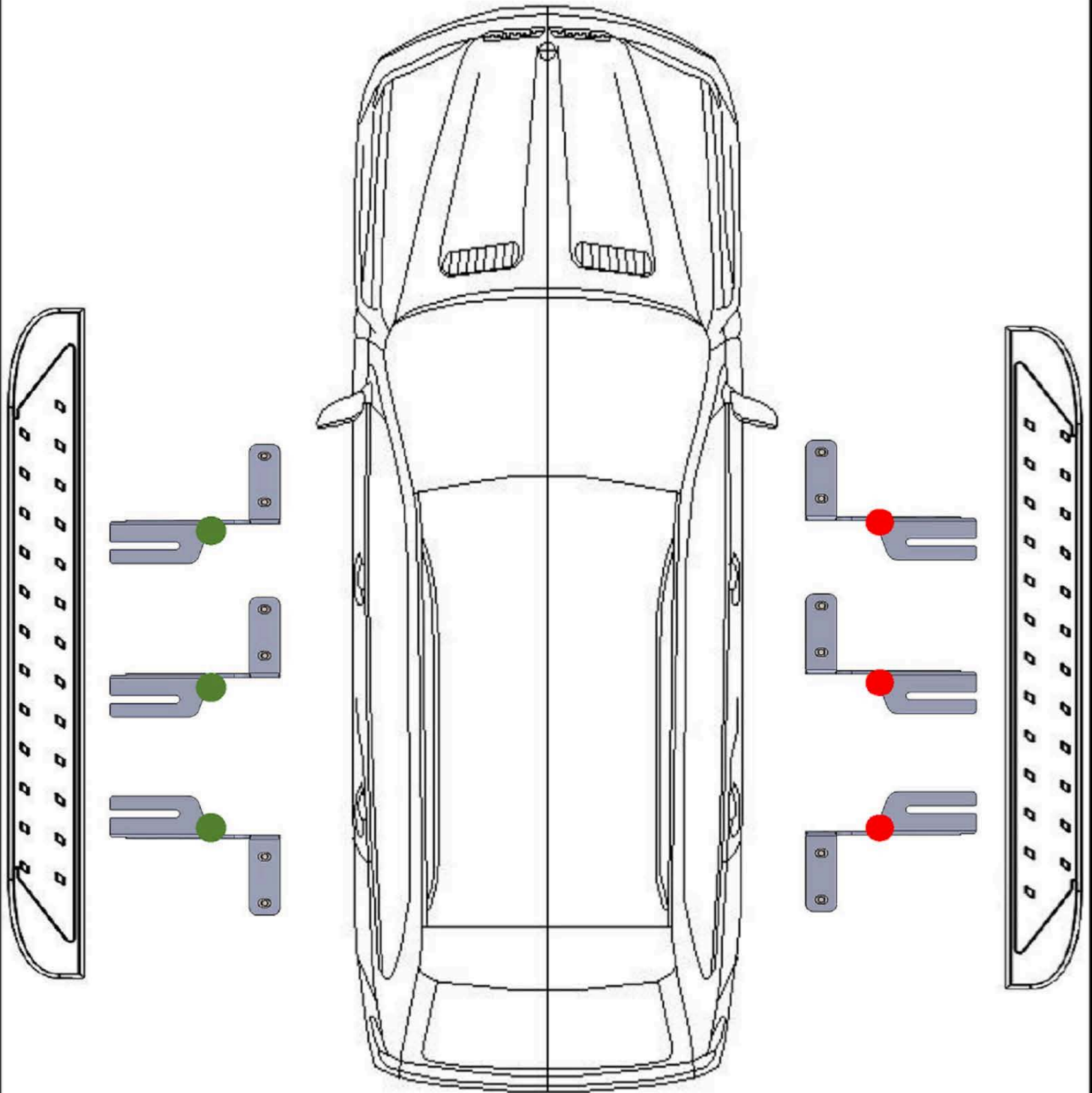
11) Proceed to tighten HTC 226 8mm nuts to 18ft pounds

12) Proceed to tighten 8mm nuts on step to 18ft pounds **WARNING:** Do not use power tools as this may damage aluminum steps.

13) Repeat procedure on other side.

# 5518 Chevy Captiva Sport 2013-2015

WARNING: Use of powertools will void the warranty



ATTENTION PLEASE! : DO NOT TIGHTEN ALL OF THE SCREWS UNTIL ALL OF THE PARTS ARE INSTALLED.

Keep your Romik accesories clean. To prevent corrsion and to maintain your high quality finish, wax or polish regulary with quality stainless polish. Use a non abrasive type automotive wax. Any use of abrasive soaps, polishes or waxes can be detrimental to the finish.

On our website you'll find a wide variety of high-quality Running Boards & Step Bars from Romik.