




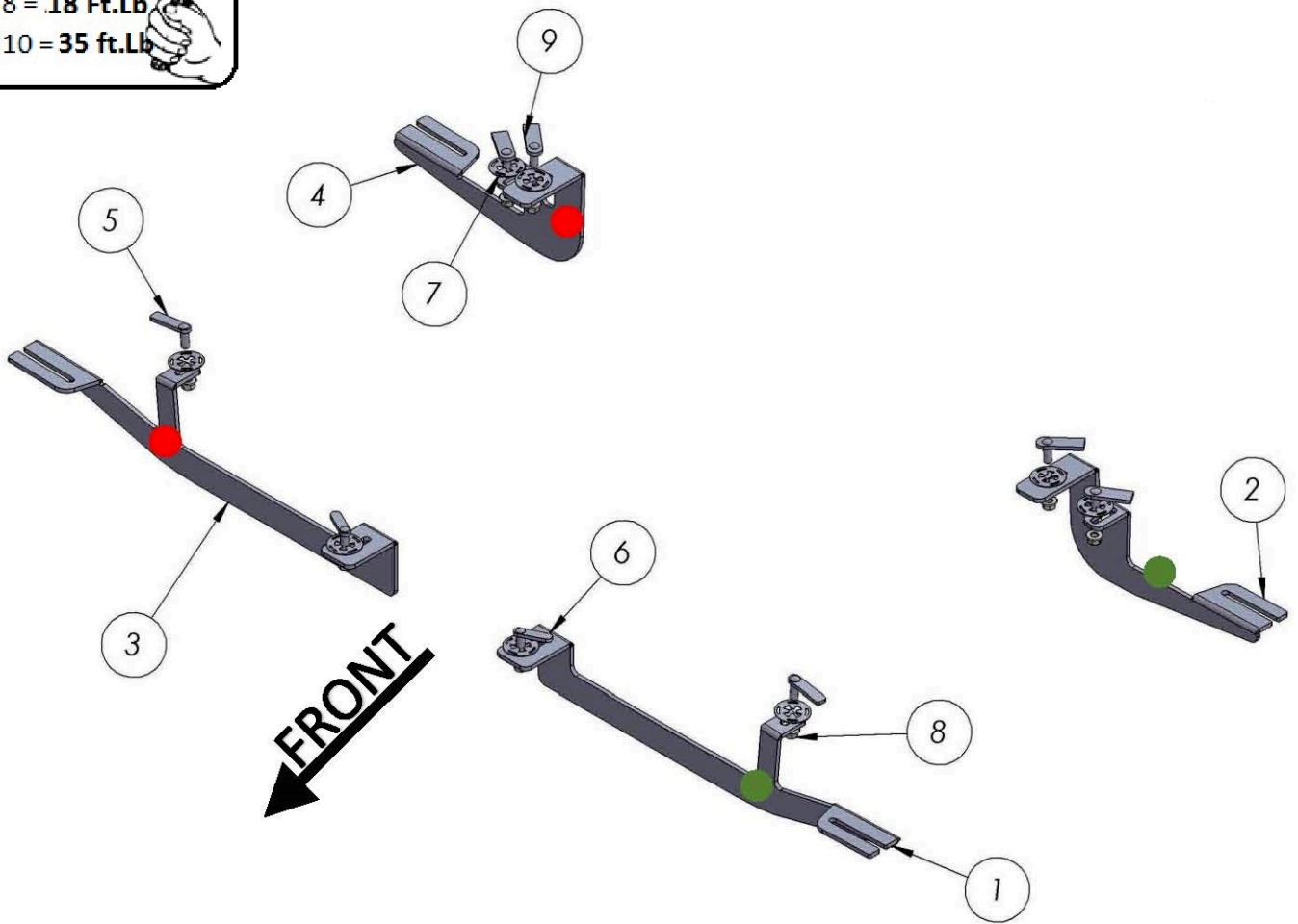
2512 - FORD EDGE 2015 - PRESENT

Installation Instructions

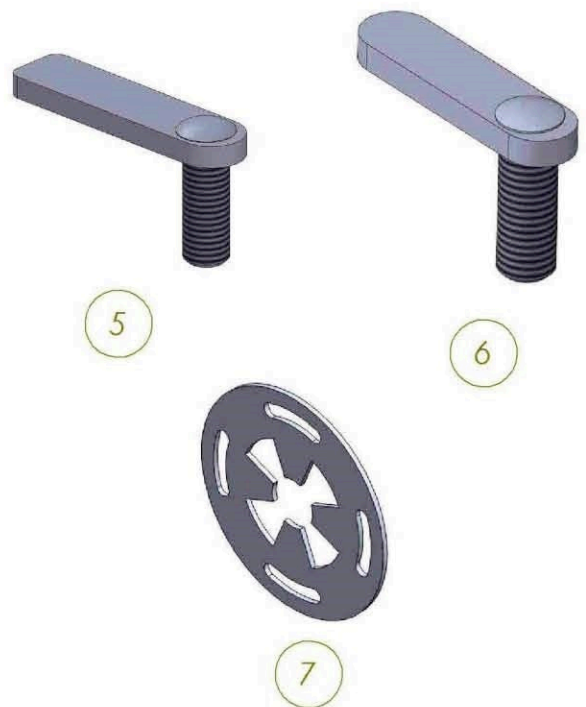


60 Minutes


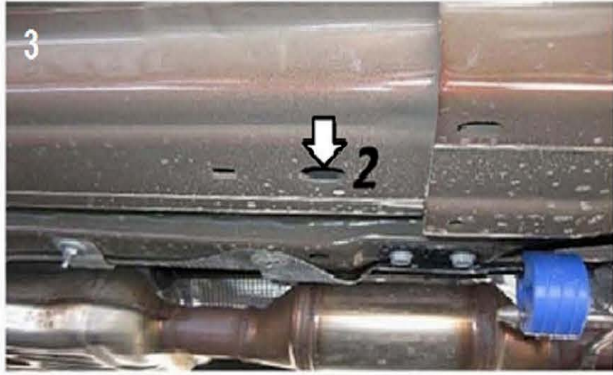
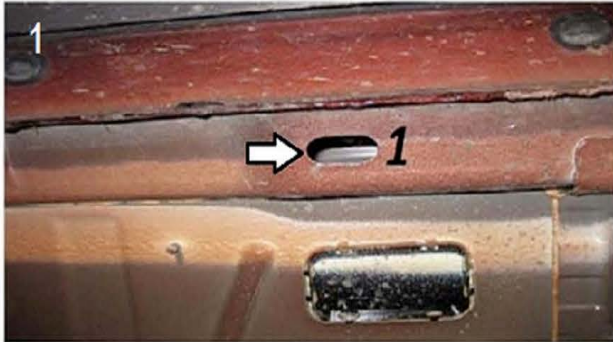
M6 = 8 Ft.Lb
M8 = 18 Ft.Lb
M10 = 35 ft.Lb

ITEM	PART NAME	QTY
1	2152850F0 DRIVER	1
2	2152850B0 DRIVER	1
3	2152850F0 PASSENGER	1
4	2152850B0 PASSENGER	1
5	HTC 262 - M10x30(5x15x60)..	2
6	HTC 243 - M10x25(5x13x50)	2
7	HTC 269 CLIPS (M10)	8
8	DIN 6923 FLANGE NUT M10	8
9	HTC 230 - M10x25(5x20x60)	4



M6 = 8 Ft.Lb
M8 = 18 Ft.Lb
M10 = 35 ft.Lb

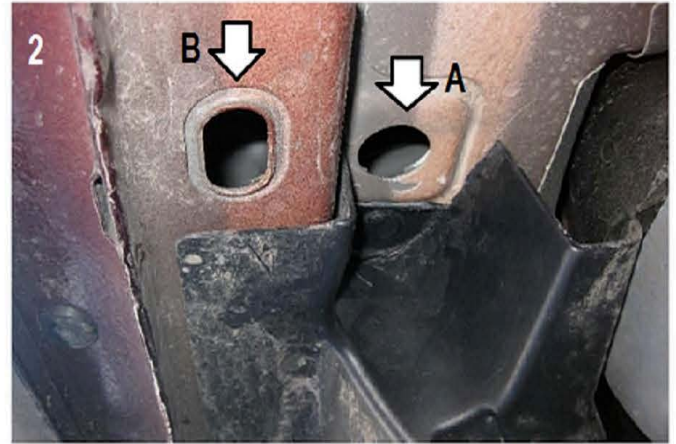
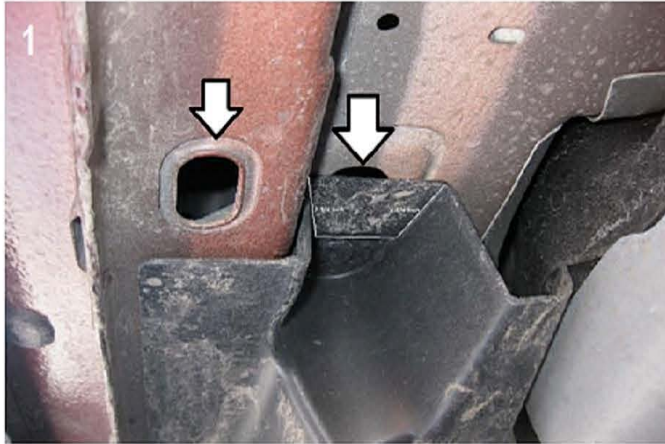
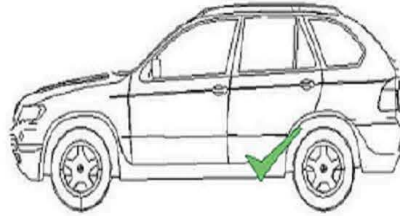
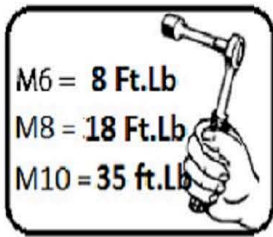



- 1) Remove plastic panel set aside
- 2) Locate front bracket mounting point image #1
- 3) Insert HTC 262 with HTC 269
- 4) Locate second position image #3
- 5) Insert HTC 243 with HTC 269
- 6) Cut a 4 1/2 by 4 1/2 square on panel as shown on image #5
- 7) Reinstall panel on vehicle
- 8) Proceed to install brackets on vehicle

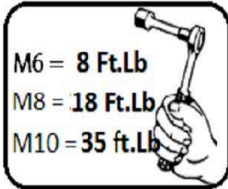
9) Do not tighten brackets yet, move on to rear bracket area.

NOTE: Vehicle requires panel removal and cutting.

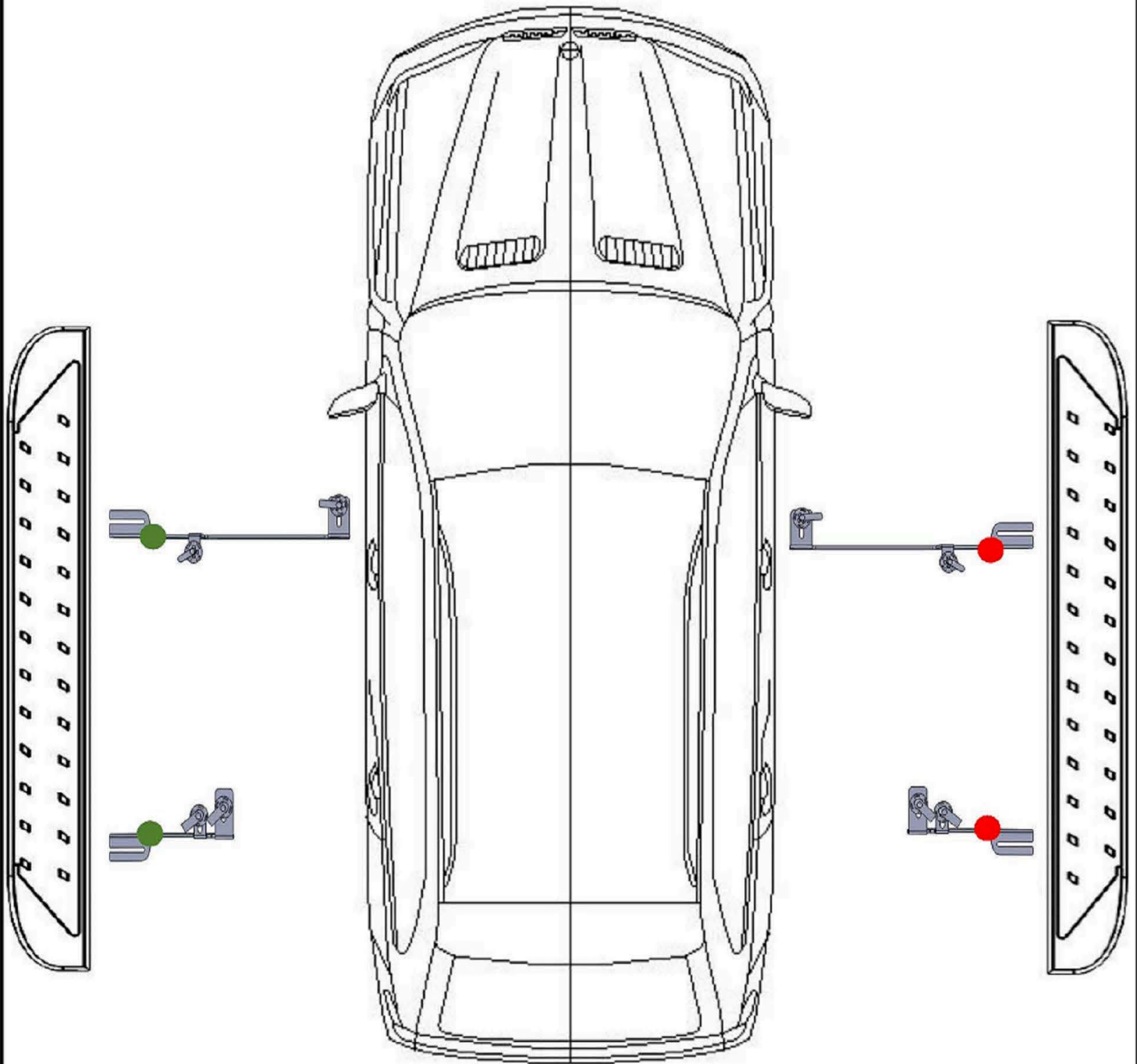
NOTE: Vehicle requires cutting rear plastic panel



- 1) Locate rear mounting bracket area and cut plastic panel as shown on image #1 cut 1 3/4 inch
- 2) Insert HTC 230 with HTC 269 position "A" Image #2
- 3) Insert HTC 269 with HTC 269 position "B" image #2
- 4) Install rear bracket do not tighten yet
- 5) Loosen M8 hardware on steps and install on brackets leave hand tight only
- 6) Proceed tighten brackets torque M10 to 35 ft lbs and M8 to 18 ft lbs
- 7) Proceed to tighten step M8 hardware to 18 ft lbs do not use power tools as this will damage aluminum
- 8) Repeat procedure on opposite side



WARNING: Use of powertools will void warranty



ATTENTION PLEASE! : DO NOT TIGHTEN ALL OF THE SCREWS UNTIL ALL OF THE PARTS ARE INSTALLED.

Keep your Romik accesories clean. To prevent corrsion and to maintain your high quality finish, wax or polish regulary with quality stainless polish. Use a non abrasive type automotive wax. Any use of abrasive soaps, polishes or waxes can be detrimental to the finish.

On our website you'll find a wide variety of high-quality Running Boards & Step Bars from Romik.