



**6311 - LEXUS RX 2016 - PRESENT**

Installation Instructions

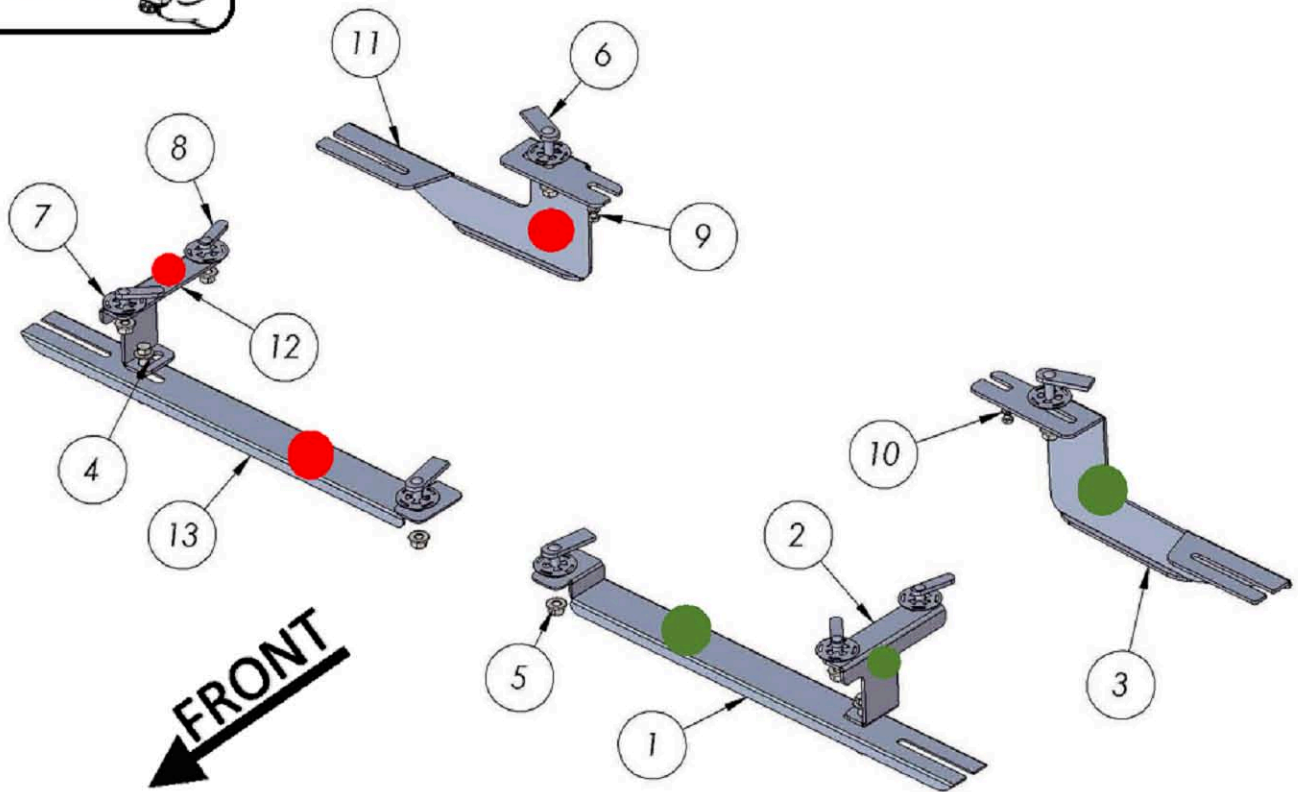


60 Minutes

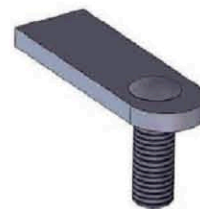
M6 = 8 Ft.Lb

M8 = 18 Ft.Lb

M10 = 35 ft.Lb



ITEM	PART NUMBER	QTY
1	6311850F0 DRIVER	1
2	6311850F1 DRIVER	1
3	6311850B0 DRIVER	1
4	DIN 6921 FLANGE BOLT M10 x 25	2
5	DIN 6923 FLANGE NUT M10	10
6	HTC 230 - M10x25(5x20x60)	4
7	HTC 269 CLIPS (M10)	8
8	HTC 243 - M10x25(5x13x50)	4
9	DIN 933 BOLT M6 x 30	2
10	DIN 125 WASHER M6	2
11	6311850B0 PASSENGER	1
12	6311850F1 PASSENGER	1
13	6311850F0 PASSENGER	1



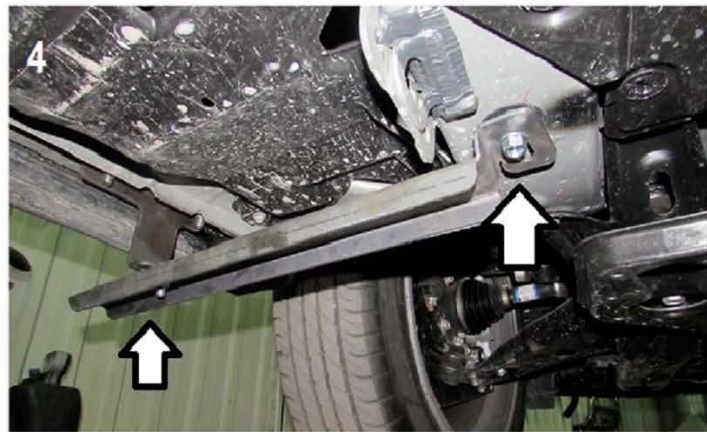
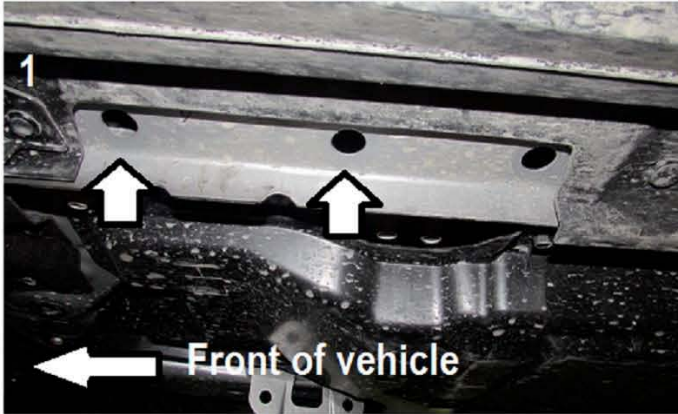
3



7



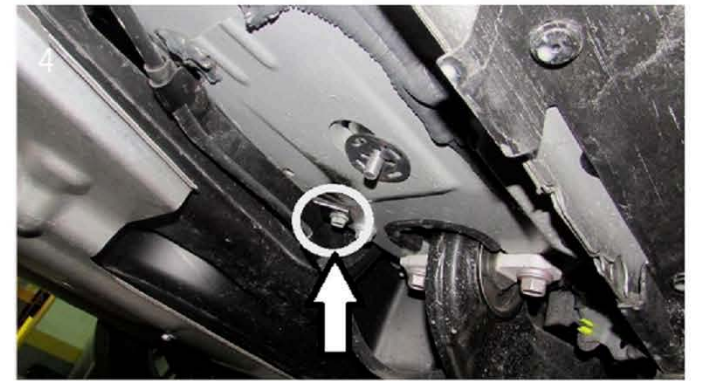
8



- 1) Locate front bracket mounting points
- 2) Remove factory rubber plugs image #1 this is the location for the extra support bracket
- 3) Insert HTC 243 with HTC 269 and install extra support as shown on image #2
- 4) Remove factory rubber plug from chassis and install HTC 230 with HTC 269 as shown on image #3
- 5) Install main front bracket hand tight only
- 6) Attach main front bracket to extra support bracket with supplied M10 hardware hand tight only

Proceed to rear bracket area

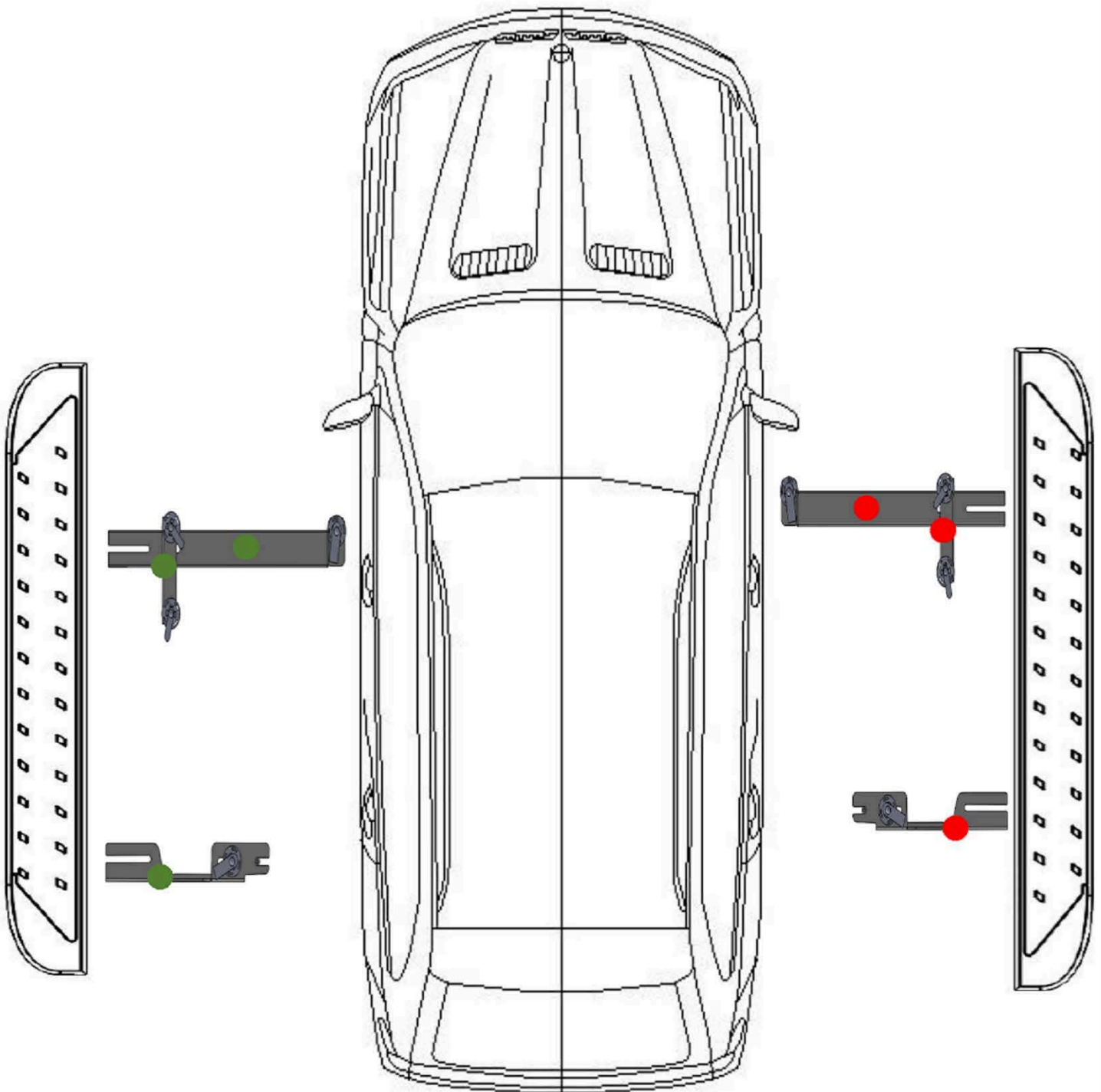
**WARNING:** Use of powertools will void the warranty.



- 1) Locate rear bracket mounting area image #1 and remove factory rubber plug
- 2) Insert supplied HTC 230 with HTC 269 as shown on image #2 and image #3
- 3) Remove factory bracket line bolt as shown on image #4 this bolt will not be reused
- 4) Install supplied M6 bolt and start to thread, do not go all the way as the rear bracket uses this for support
- 5) Install rear bracket by sliding the open side onto the M6 bolt making sure the HTC 230 comes thru do not tighten brackets
- 6) Loosen M8 hardware on back of the steps and attach to brackets hand tight only
- 7) Proceed to tighten the bracket hardware M10 to 35 ft lbs M8 to 18 ft lbs and M6 to 8 ft lbs
- 8) Proceed to tighten the step hardware M8 to 18 ft lbs do not over tighten as it may damage the steps
- 9) Repeat procedure on oppsite side

**WARNING:** Use of powertools will void the warranty.

**WARNING: Use of powertools will void the warranty**



ATTENTION PLEASE! : DO NOT TIGHTEN ALL OF THE SCREWS UNTIL ALL OF THE PARTS ARE INSTALLED.

Keep your Romik accessories clean. To prevent corrosion and to maintain your high quality finish, wax or polish regularly with quality stainless polish. Use a non abrasive type automotive wax. Any use of abrasive soaps, polishes or waxes can be detrimental to the finish.

On our website you'll find a wide variety of high-quality [Running Boards & Step Bars](#) from [Romik](#).