



# **ROMIK**

**5810 Cadillac SRX 2010-2016**



**50 Min.**

# 5810 Cadillac SRX 10-16



4		M10X25 mm FLANGE HEAD BOLT	2		HTC 269 KLIPS ( M10 )	6		HTC 227 (5x12x38)
8		M8 HEAD FLANGE NUT	4		M10 HEAD FLANGE NUT	2		HTC 243 (5x13x50)
8		HTC 271 KLIPS ( M8 )	8		M8 WASHERS			

## Mounting Brackets



4x

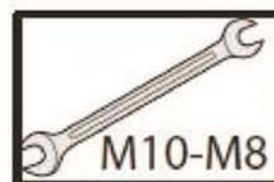
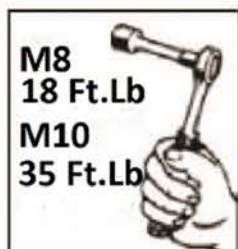


2x  
Rear



2x  
Front

**WARNING: Use of powertools will void warranty.**



ATTENTION PLEASE! : DO NOT TIGHTEN ALL OF THE SCREWS UNTIL ALL OF THE PARTS ARE INSTALLED.

Keep your Romik accessories clean. To prevent corrosion and to maintain your high quality finish, wax or polish regularly with quality stainless polish. Use a non abrasive type automotive wax. Any use of abrasive soaps, polishes or waxes can be detrimental to the finish.

# 5810 Cadillac SRX 10-16



**Front**



**Rear**

**Warning: Use of powertools will void warranty**



1

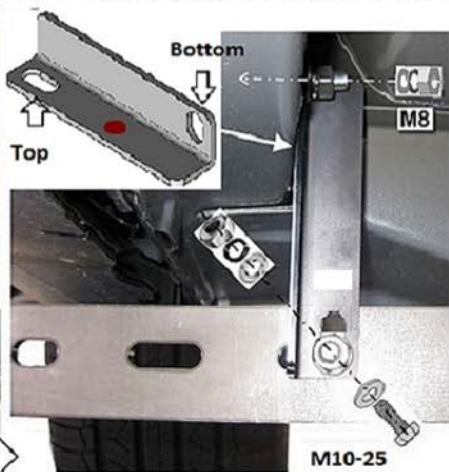


Front



- 1) Locate front mounting points #1 insert HTC 243 with plastic washer HTC 269
- 2) Proceed to install front main bracket.
- 3) Locate front extra support mounting points #2 insert HTC 227 with plastic washer HTC 271
- 4) Proceed to install extra support as shown on image.
- 5) Connect extra support and main bracket with supplied M10-25 bolt

**NOTE:** Do not tighten anything until boards are installed and aligned



2

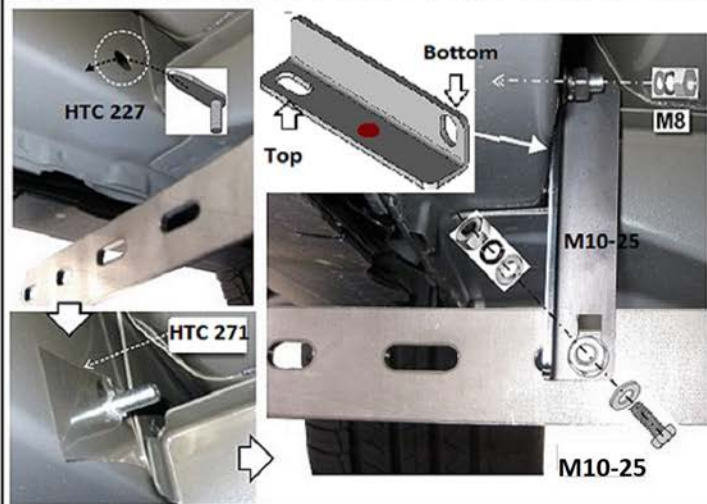
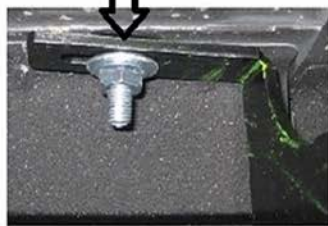


#1



Rear

HTC 227 + HTC 271



#2

#1

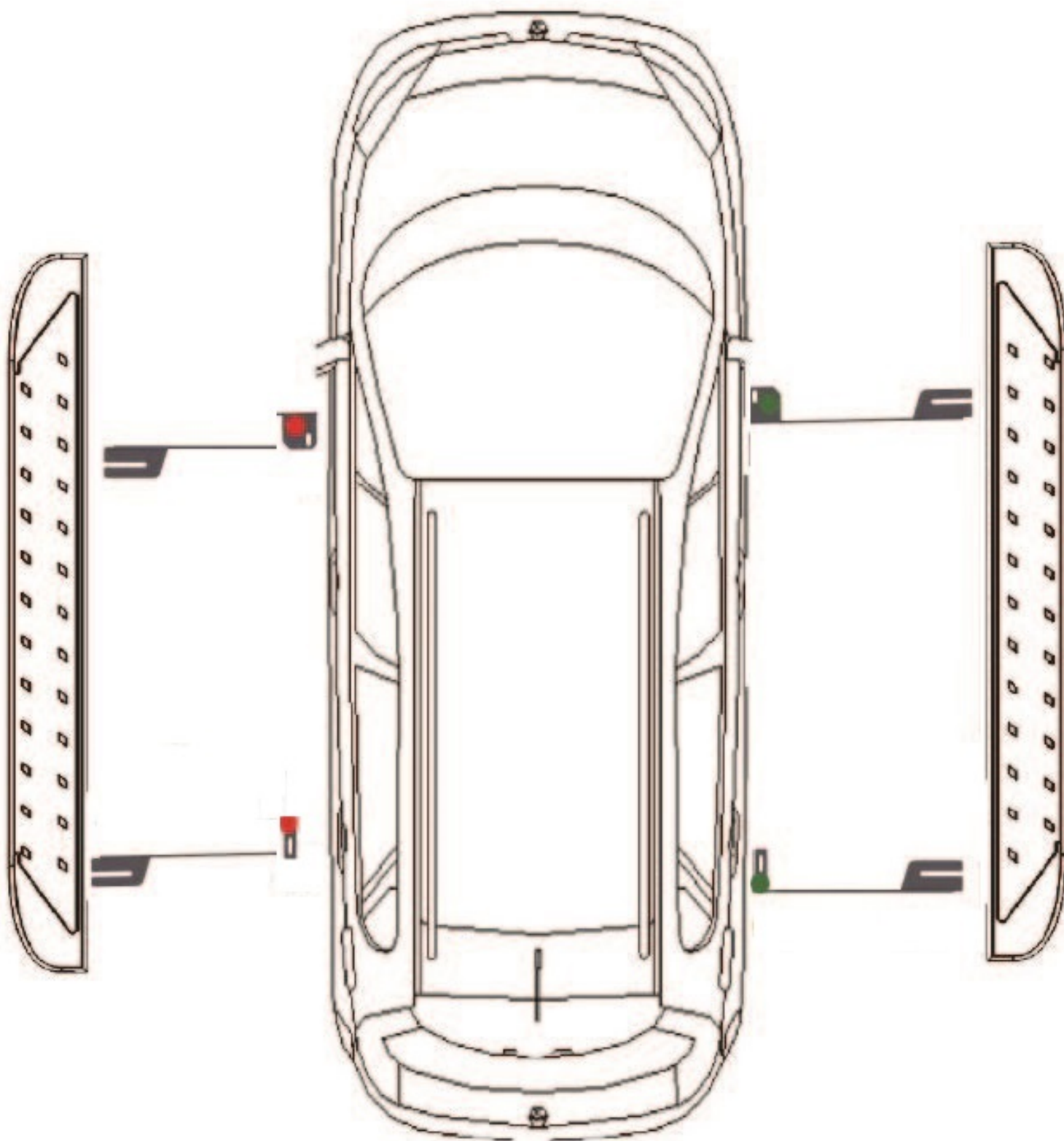


#2

- 1) Locate rear mounting point #1 insert HTC 227 with plastic washer HTC 271
- 2) Proceed to install rear main bracket
- 3) Locate extra support mounting points #2 insert HTC 227 with plastic washer HTC 271 NOTE extra image showing #2 and circled reference point.
- 4) Proceed to install extra support as shown on image
- 5) Connect extra support and main bracket with supplied M10-25 bolt.

**NOTE:** Do not tighten anything until boards are installed and aligned.





**WARNING: Use of powertools will void warranty**

On our website you'll find a wide variety of high-quality [Running Boards & Step Bars](#) from [Romik](#).