



# **ROMIK**

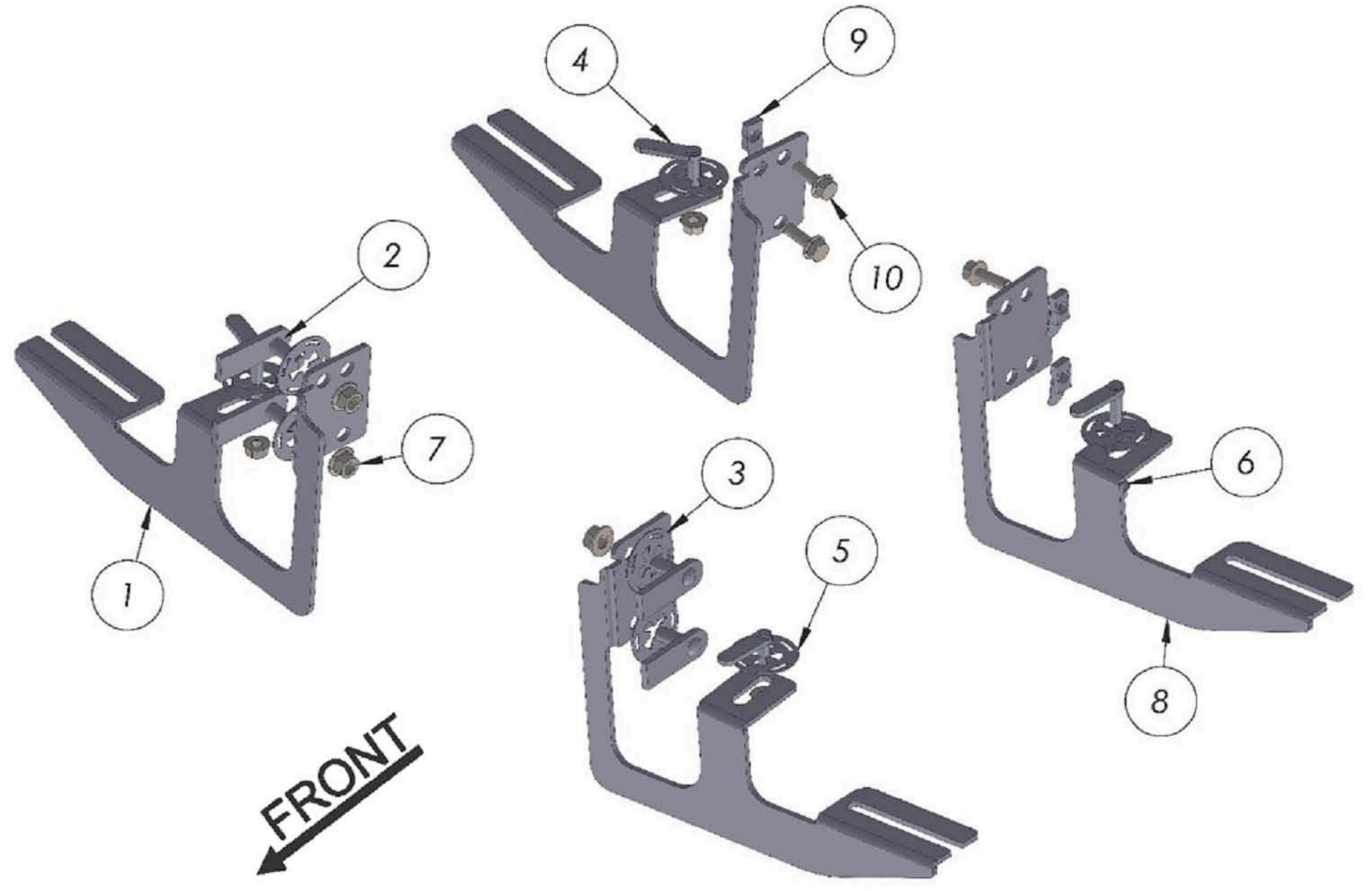
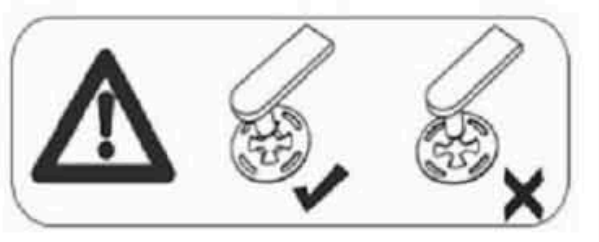
1420 Traverse / Enclave 2008-2017 / Acadia (2016) / Acadia Limited (2017)  
NOTE: Does not fit 2017 GMC Acadia 2nd Generation.

## **Installation Instructions**



**60 Minutes**

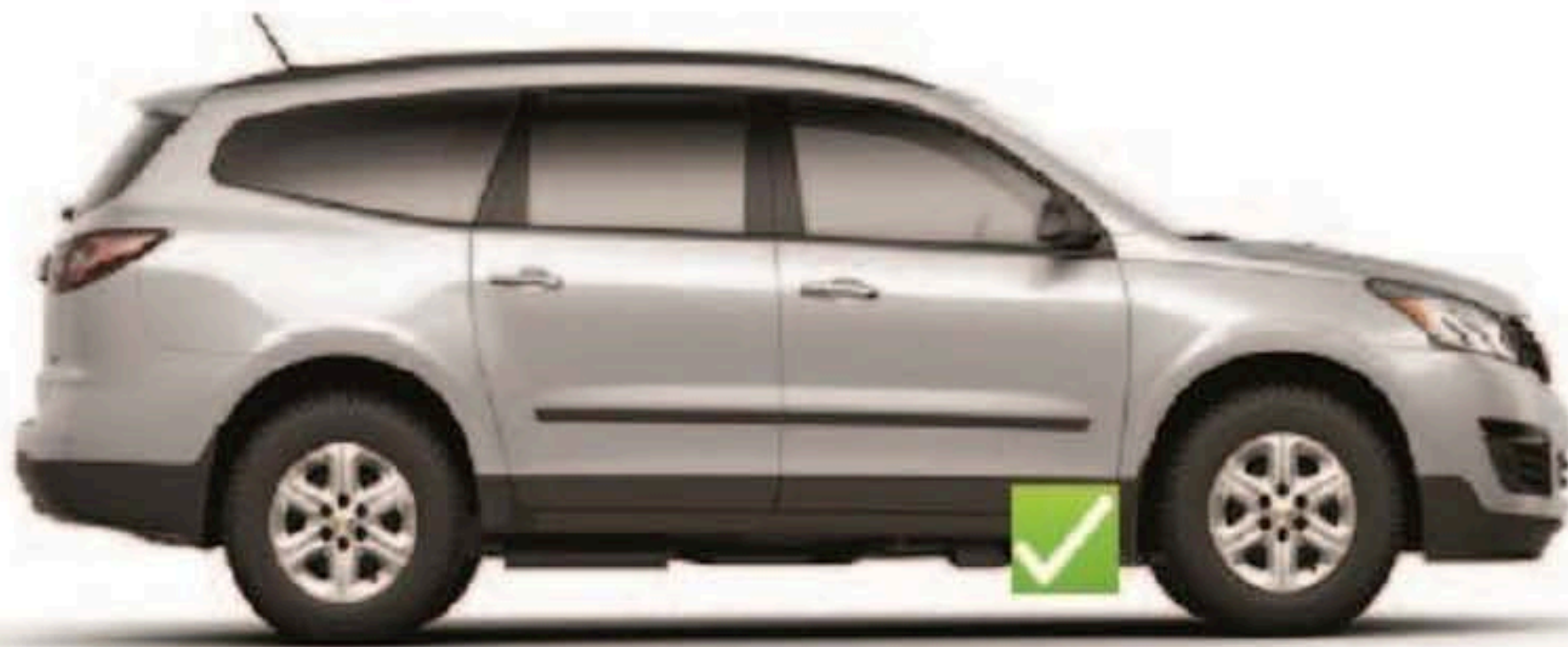
M6 = 8 Ft.Lb  
M8 = 18 Ft.Lb  
M10 = 35 ft.Lb



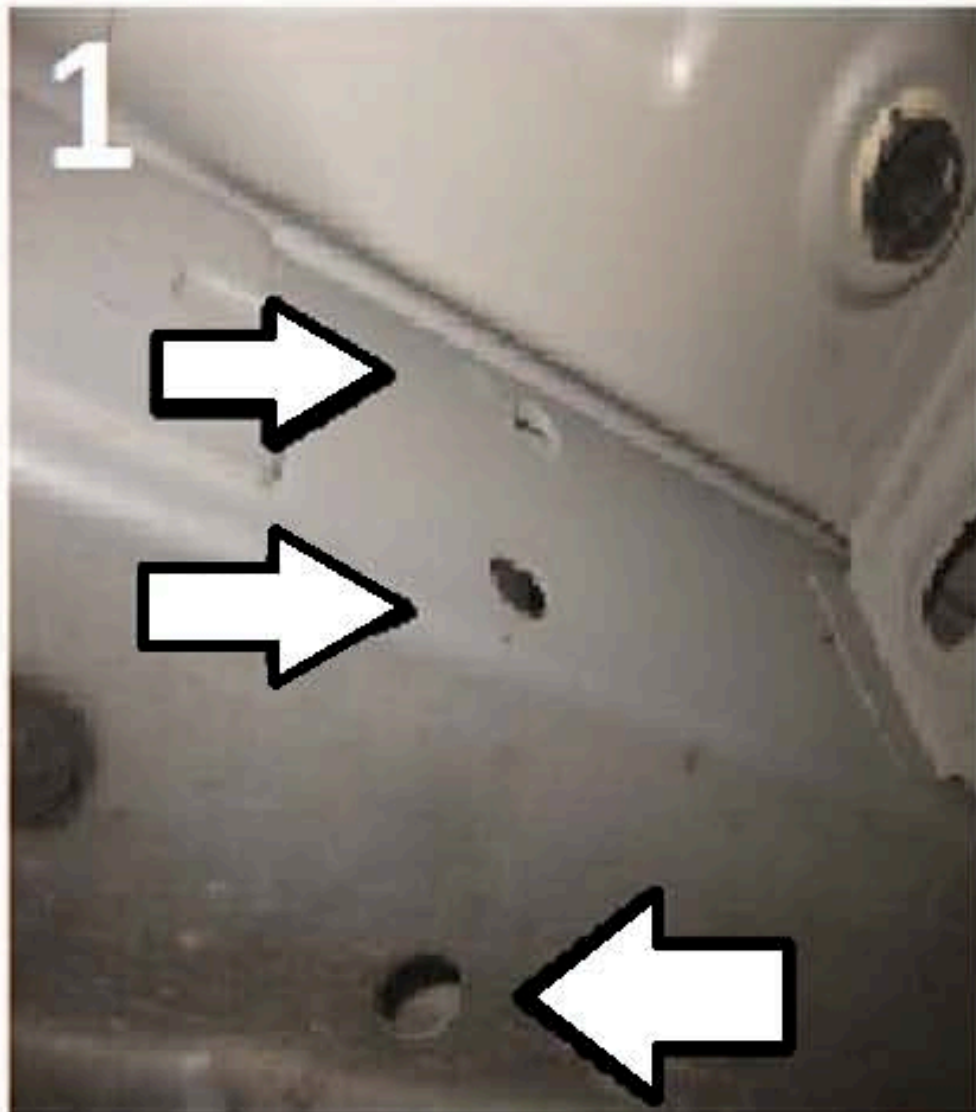
ITEM	PART NAME	QTY
1	1420850F0B0 PASSENGER	2
2	HTC 230 - M10x25(5x20x60)	4
3	HTC 269 CLIPS (M10)	4
4	HTC 226 - M8X30 (4X10X37)	4
5	HTC 271 CLIPS (M8)	4
6	DIN 6923 FLANGE NUT M8	4
7	DIN 6923 FLANGE NUT M10	4
8	TRAVERSE 08+	2
9	HTC 311 - M8 (21,3 x 11,75)	4
10	DIN 6921 - M8 x 25 x 25-N	4







## FRONT



- 1) Locate front mounting area PIC #1
- 2) Proceed to install supplied hardware HTC 227 on upper portion and HTC 269 on bottom portion.

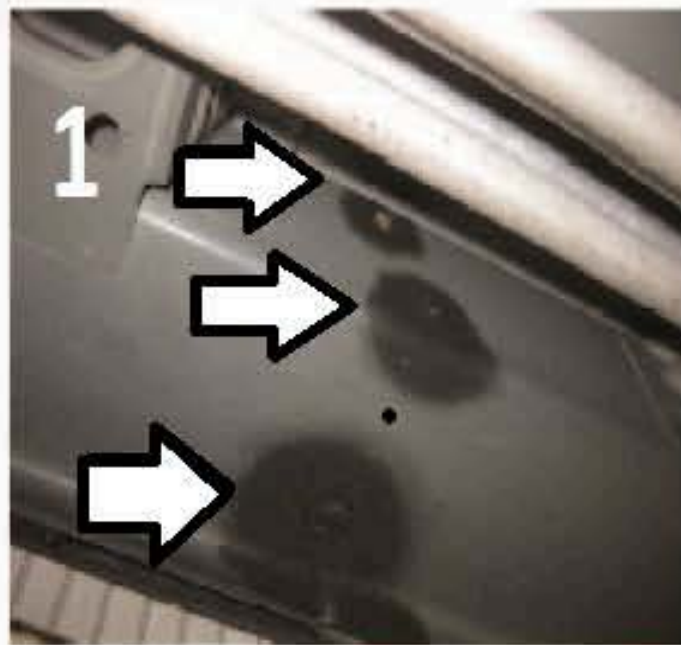


- 3) Proceed to install front bracket as shown on PIC #3 bracket hardware must be hand tight only



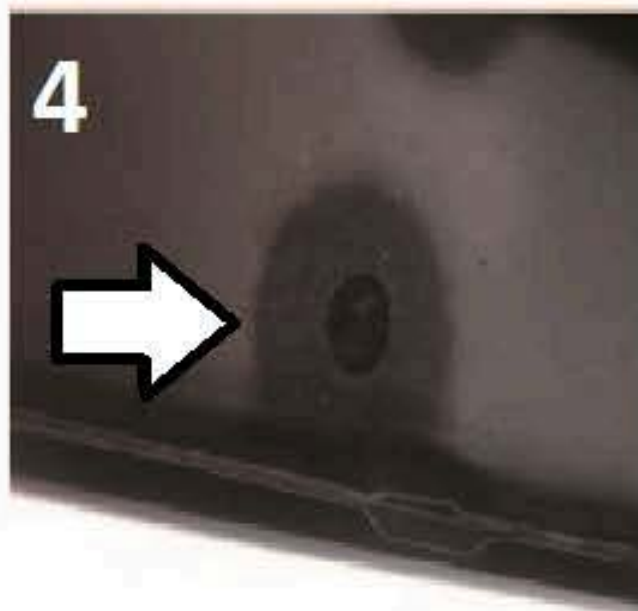


**BACK**



5) Locate rear mount area PIC #1, NOTE from the factory these vehicles have a lot of foam build up. In order to proceed you must clean out the holes to allow inserts to go in.

6) Insert supplied M8 Special inserts in place as shown on PIC #2 and PIC #3



7) Locate bottom mounting area as shown on PIC #4

8) Proceed to insert HTC 269 as shown on PIC #5

9) Install brackets with remaining hardware M8x25 bolts and M10 flange nut hand tight only

10) Once all brackets have been installed hand tight only proceed to install running boards onto brackets

11) Buick Enclave models use provided extenders installed onto the brackets to clear rounded plastic rocker panels.

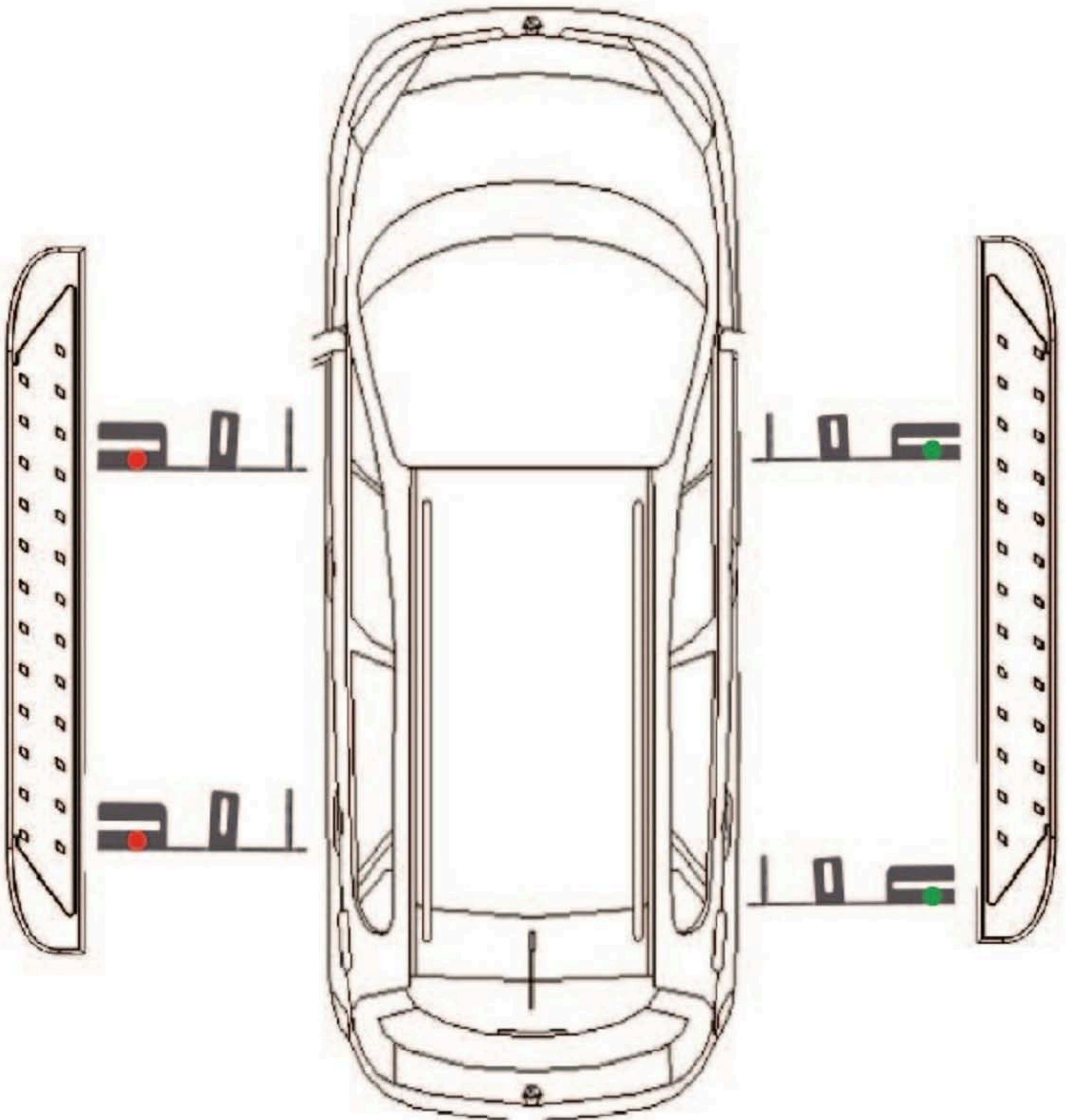
12) Once running boards are installed and hand tight only proceed to tighten brackets

13) Tighten brackets M8 to 18 ft lbs and M10 to 35 ft lbs

14) Proceed to tighten running boards M8 to 18 ft lbs



**NOTE: Use of power tools will void your warranty**



On our website you'll find a wide variety of high-quality [Running Boards & Step Bars](#) from [Romik](#).