




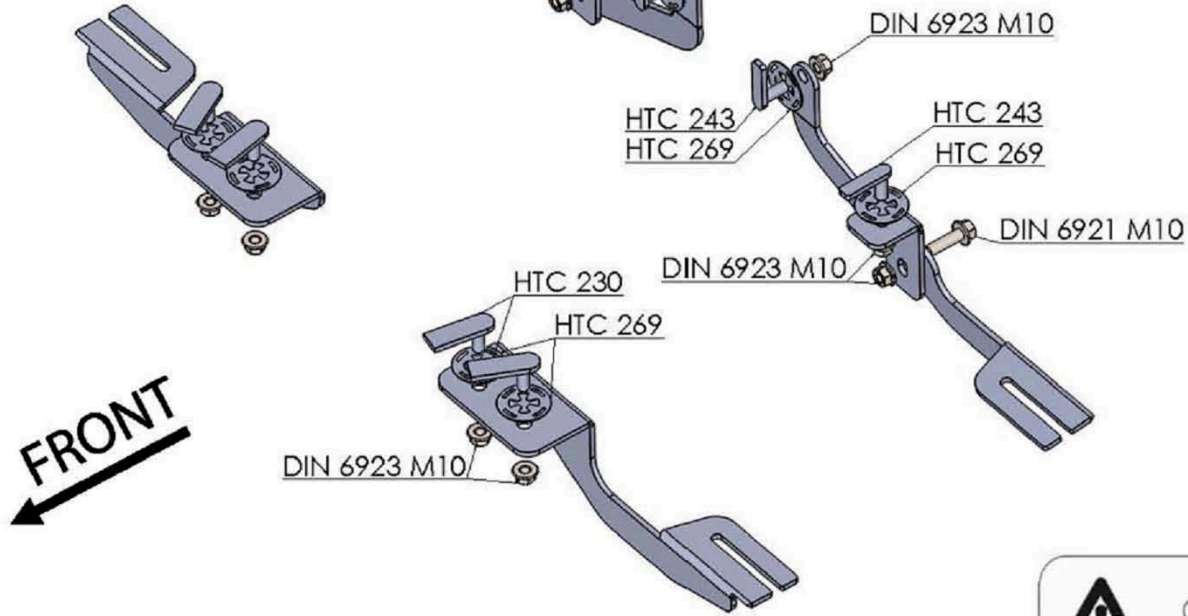
2135 Ford Escape 2013-Present

Installation Instructions



60 Minutes

M6 = 8 Ft.Lb
M8 = 18 Ft.Lb
M10 = 35 Ft.Lb

HARDWARE

4		HTC 230 - (M10x25) (4x20x60)	8		HTC 269 CLIPS (M10)	10		DIN 6923 FLANGE NUT (M10)
4		HTC 243 - M10x25(5x13x50)	2		DIN 6921 BOLT (M10)			

BRACKETS



(x2)



(x2)

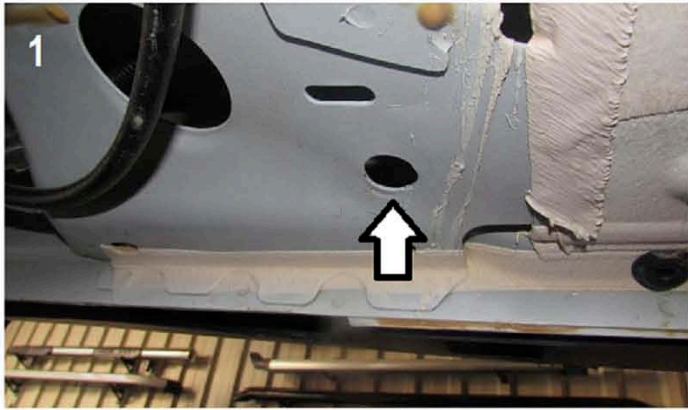


(x2)



- 1) Locate front bracket mounting points image #1
- 2) Insert HTC 230 and HTC 269 on both mounting points images #2,#3 and image #4
- 3) Proceed to install front bracket as shown on image #5 and Image #6 do not tighten

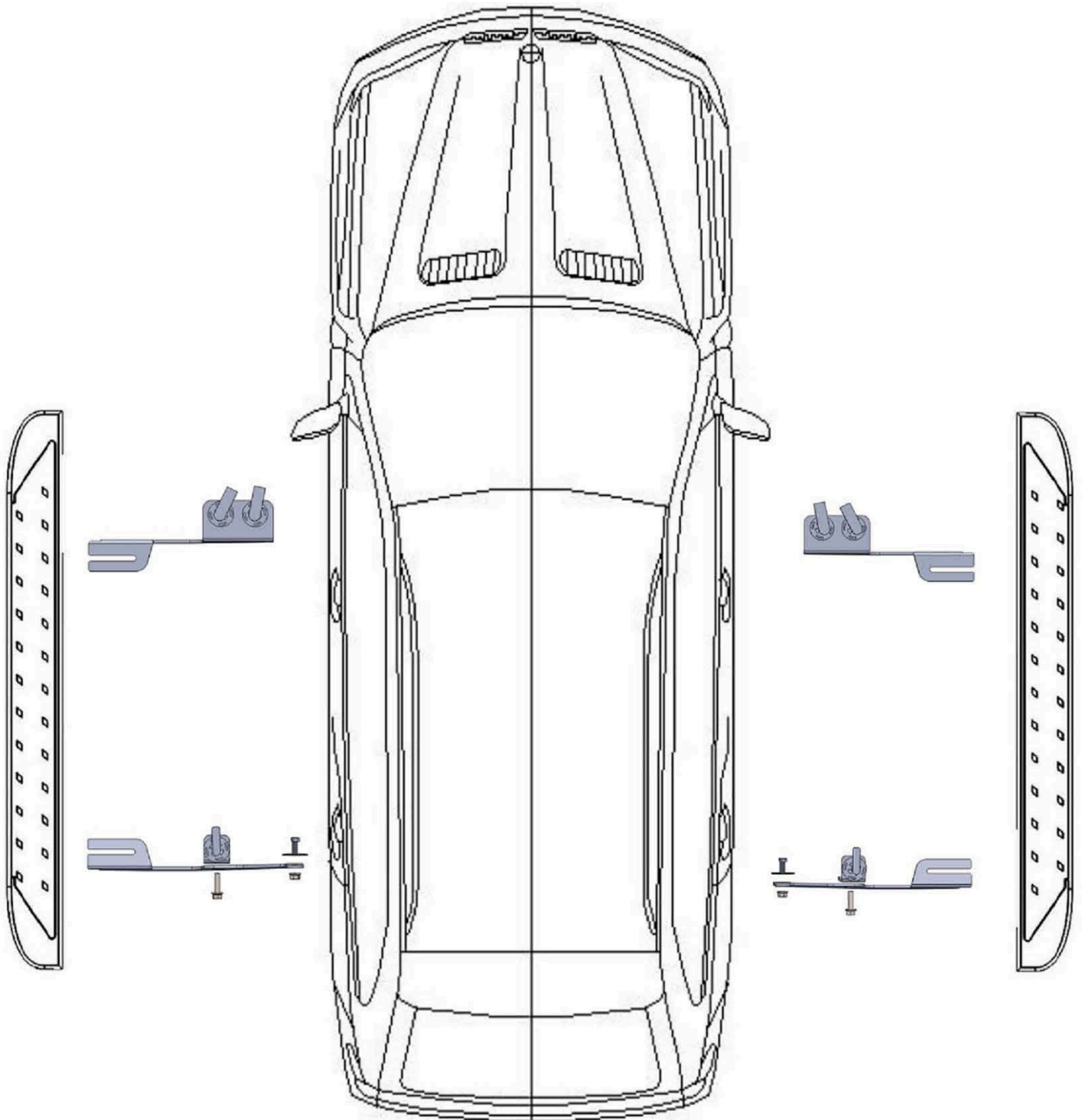
Proceed to rear bracket area.





- 1) Locate rear bracket mounting points Image #1 and image #3
- 2) Proceed to install HTC 243 with HTC 269 as shown on image #2
- 3) Proceed to install HTC 243 with HTC 269 as shown on image #4
- 4) Install main rear bracket as shown on image #6, Image #7 and image #8 do not tighten
- 5) Install extra support bracket as shown on image #9 do not tighten
- 6) Attach extra support to main bracket using supplied M10 hardware do not tighten
- 7) Loosen M8 hardware on back of steps
- 8) Slide steps onto brackets, align and adjust. Hardware must be hand tight only
- 9) Proceed to tighten bracket hardware M10 to 35 ft lbs and M8 to 18 ft lbs
- 10) Proceed to tighten step hardware M8 to 18 ft lbs do not over tighten as this may damage the steps
- 11) Repeat procedure on opposite side.

WARNING: Do not use powertools as it may void the warranty



On our website you'll find a wide variety of high-quality Running Boards & Step Bars from Romik.