



5416 Kia Sorento 2016-Present

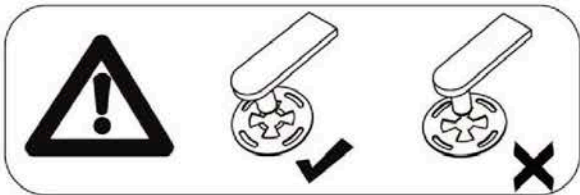
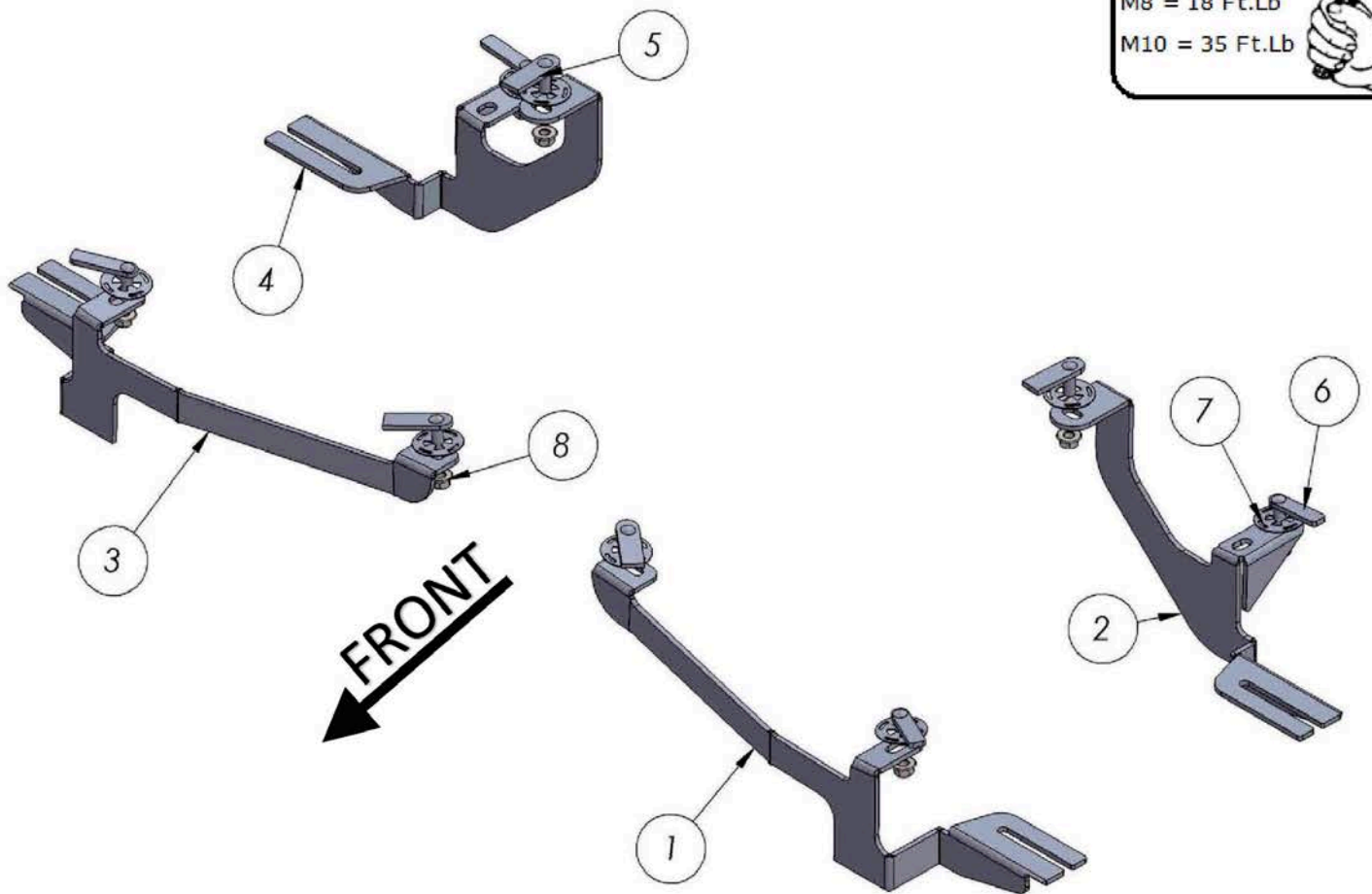
Installation Instructions



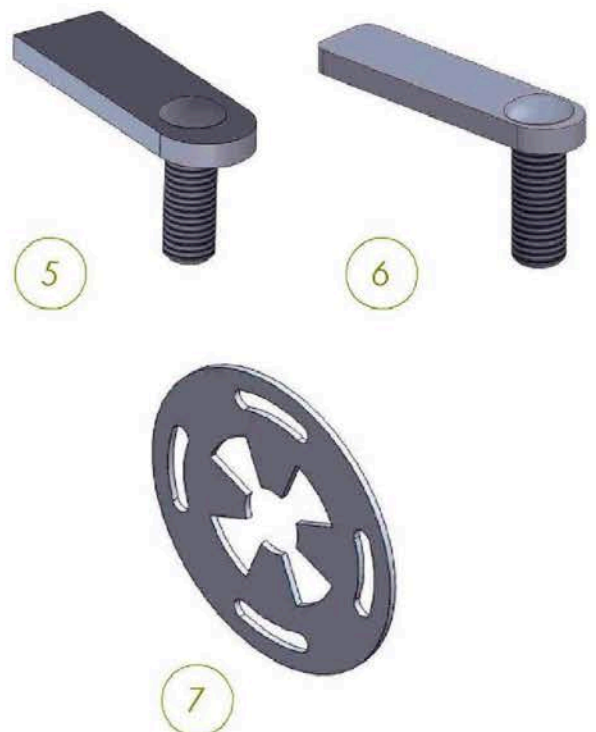
60 Minutes

NOTE: Before starting this installation makes sure that all hardware matches these instructions.

M6 = 8 Ft.Lb
M8 = 18 Ft.Lb
M10 = 35 Ft.Lb



ITEM	PART NAME	QTY
1	5416850F0 DRIVER/ŞOFÖR	1
2	5416850B0 DRIVER/ŞOFÖR	1
3	Mirror5416850F0	1
4	Mirror5416850B0	1
5	HTC 230 - M10x25(5x20x60)	4
6	HTC 262 - M10x30(5x15x60)	4
7	HTC 269 CLIPS / KLIPS (M10)	8
8	DIN 6923 FLANGE NUT M10	8

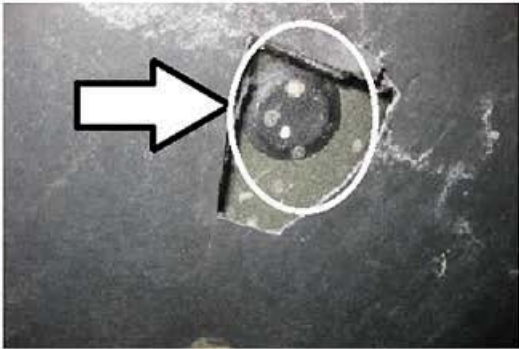
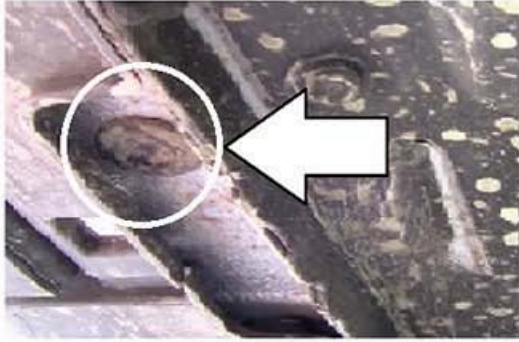


M6 = 8Ft.Lb
M8 = 18 Ft.Lb
M10 = 35 Ft.Lb

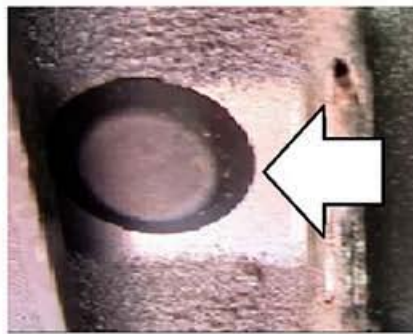


- 1) Locate front mounting area and remove rubber plugs on two locations as shown below
- 2) Proceed to insert HTC 230 and HTC 262
- 3) Proceed to install front bracket, hand tight only.

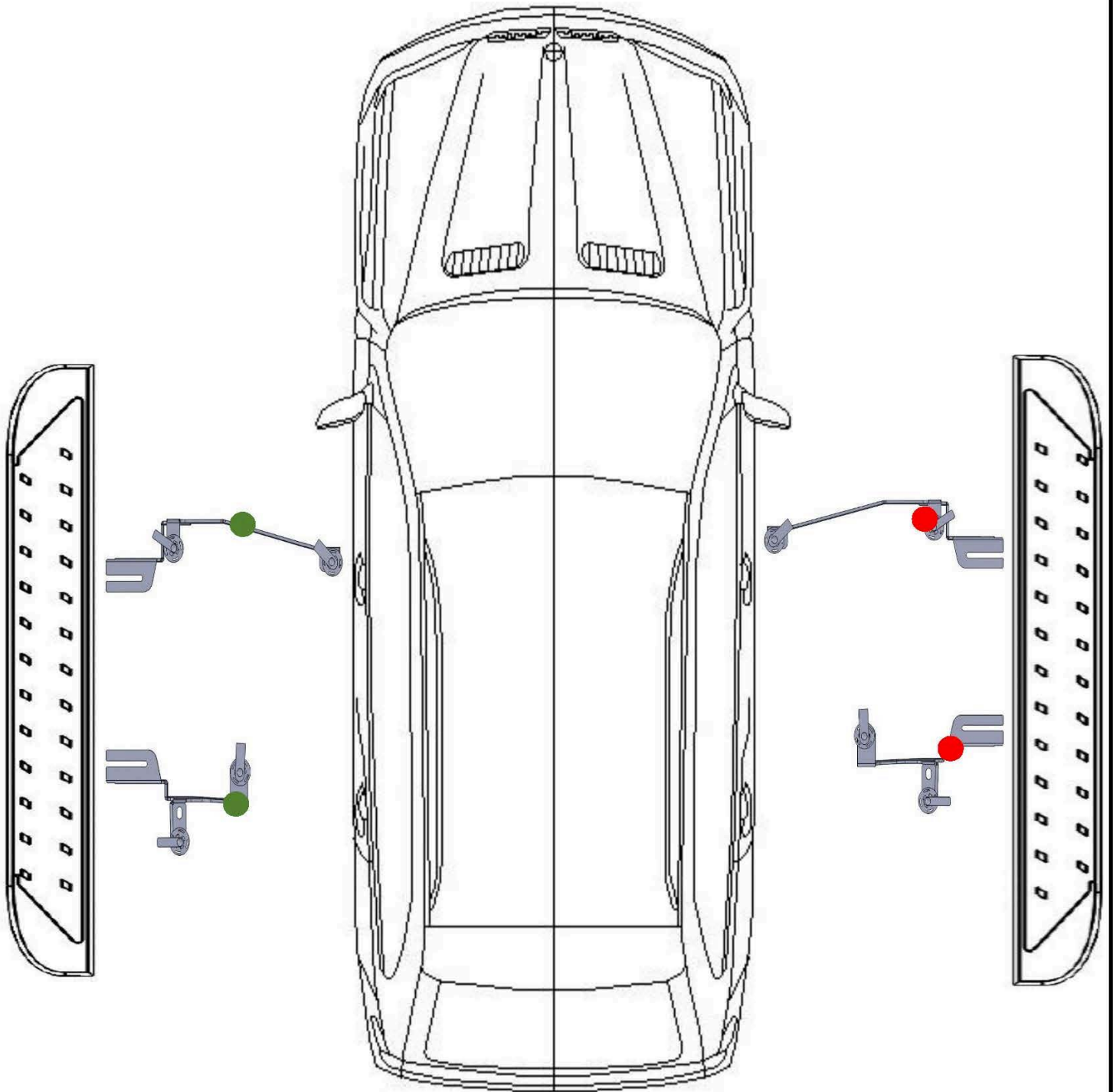
WARNING: Use of powertools will void warranty



M6 = 8Ft.Lb
M8 = 18 Ft.Lb
M10 = 35 Ft.Lb



- 1) Remove rubber plugs on two locations as shown above
- 2) Proceed to install HTC 230 and HTC 262
- 3) Proceed to install bracket hand tight only
- 4) Proceed to install running boards hand tight only
- 5) Torque M10 to 35 ft lb and M8 to 18 Ft.Lb



ATTENTION PLEASE! : DO NOT TIGHTEN ALL OF THE SCREWS UNTIL ALL OF THE PARTS ARE INSTALLED.

Keep your Romik accessories clean. To prevent corrosion and to maintain your high quality finish, wax or polish regularly with quality stainless polish. Use a non abrasive type automotive wax. Any use of abrasive soaps, polishes or waxes can be detrimental to the finish.

On our website you'll find a wide variety of high-quality [Running Boards & Step Bars](#) from [Romik](#).