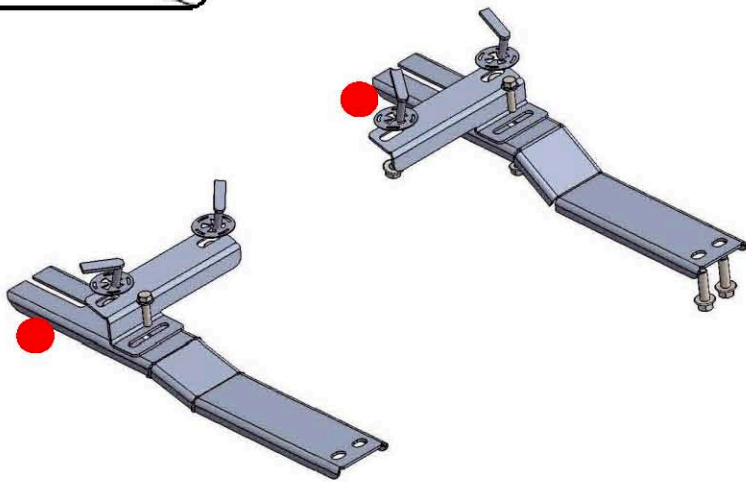


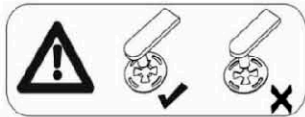
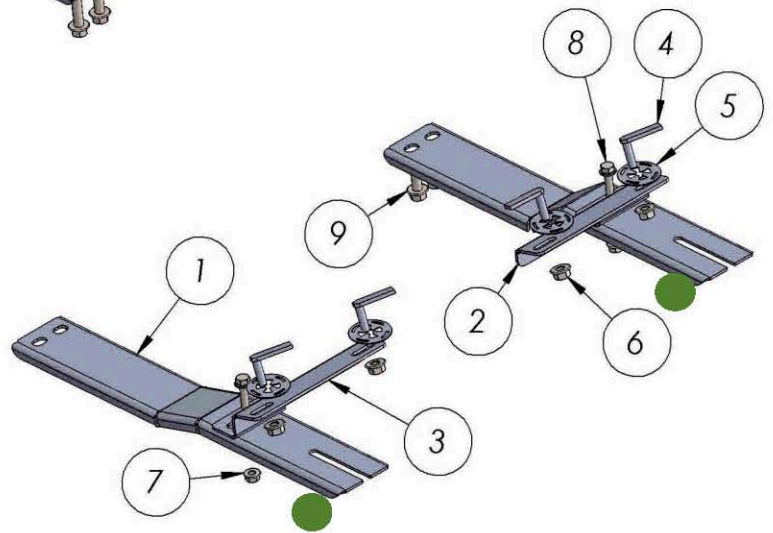


3216 Nissan Rouge 2008 - 2013
Nissan Rouge Select 2014 - 2015

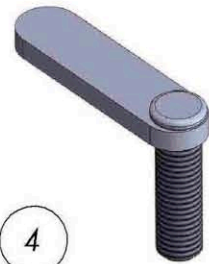
M6 = 8 Ft.Lb
M8 = 18 Ft.Lb
M10 = 35 ft.Lb



FRONT



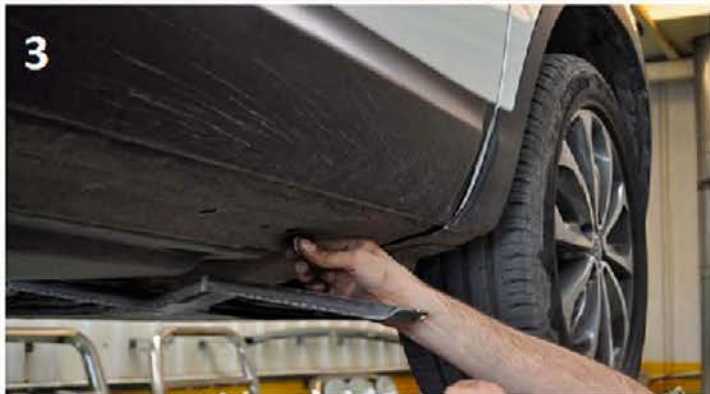
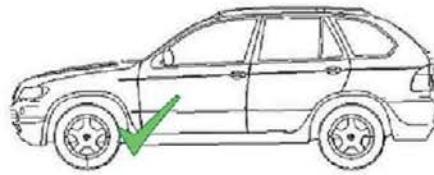
ITEM/NO	PART NAME	QTY
1	3217850F0	4
2	3217850FB1	2
3	3217850FB	2
4	HTC 226 - M8X30 (4X10X37)	8
5	HTC 271 CLIPS M8	8
6	DIN 6923 FLANGE NUT - M10	8
7	DIN 6923 FLANGE NUT - M8	4
8	DIN 6921 FLANGE BOLT - M8x30	4
9	FINE TEETH - M10x35	4



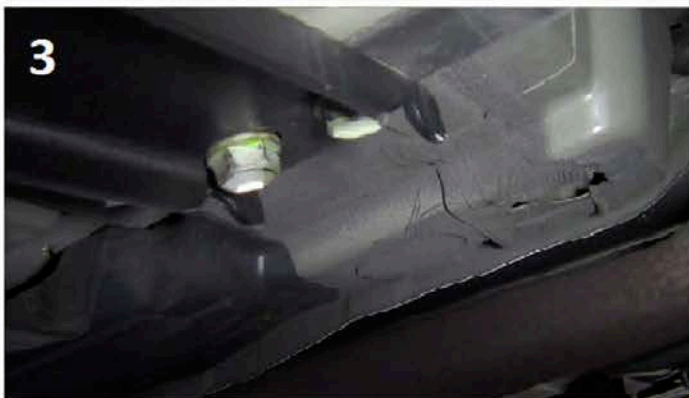
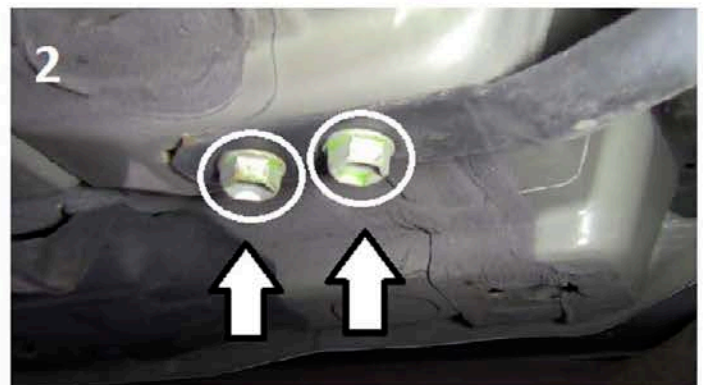
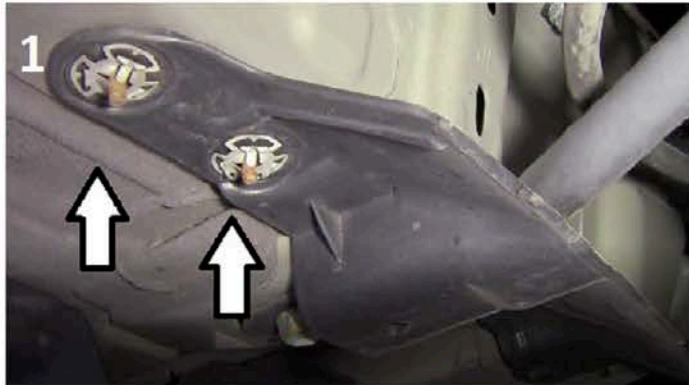
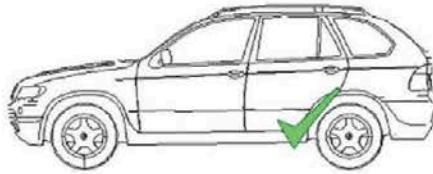
4



5

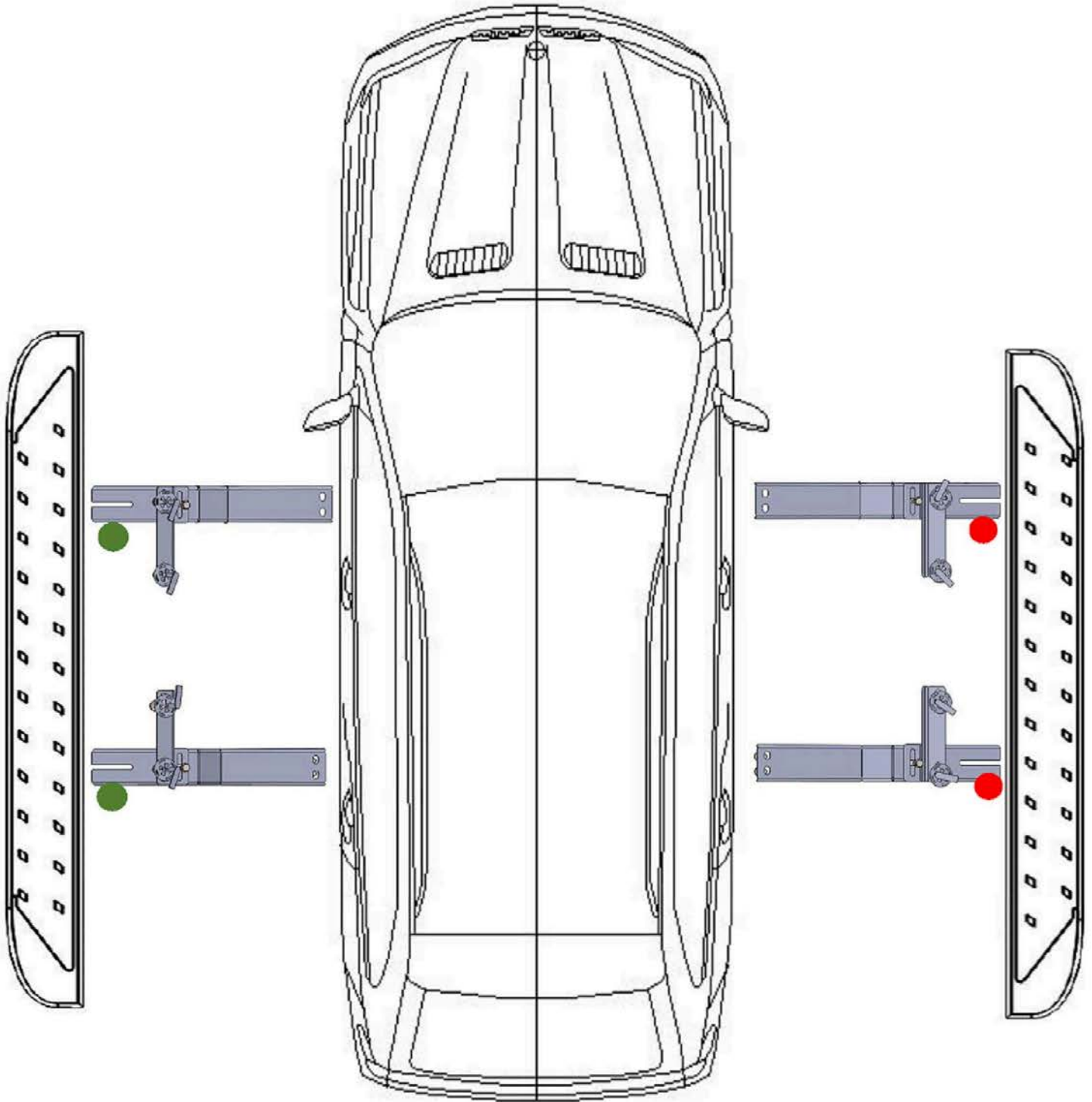


- 1) Locate front bracket mounting area as shown on image #1 remove factory bolts do not discard as they will be reused.
- 2) Attach front bracket using factory bolts image #2 hand tight only
- 3) Locate extra support mounting area and remove factory rubber plugs image #3
- 4) Install supplied HTC 226 with HTC 271 and attach front extra support bracket as shown on images #4 and #5
- 5) Attach extra support bracket to main bracket using supplied M10 hardware hand tight only
- 6) Proceed to rear bracket area



- 1) Locate rear bracket mounting area. Note if your vehicle is equipped with plastic panel it must be either removed or cut to get access to factory bolts image #1
- 2) Remove factory bolts do not discard as they will be re-used image #2
- 3) Attach rear bracket using factory bolts hand tight only image #3
- 4) Locate extra support mounting area and remove rubber plugs
- 5) Install supplied HTC 226 with HTC 271 as shown on image #4
- 6) Attach extra support bracket as shown on image #5 hand tight only
- 7) Connect extra support bracket to rear bracket using supplied M10 hardware
- 8) Loosen M8 hardware on back of steps and install on brackets
- 9) Proceed to tighten bracket hardware M10 to 35 ft lbs and M8 to 18 ft lbs
- 10) Proceed to tighten M8 hardware on back of steps to 18 ft lbs
- 11) Repeat procedure on opposite side

WARNING: Use of powertools will void the warranty



ATTENTION PLEASE! : DO NOT TIGHTEN ALL OF THE SCREWS UNTIL ALL OF THE PARTS ARE INSTALLED.

Keep your Romik accesories clean. To prevent corrsion and to maintain your high quality finish, wax or polish regulary with quality stainless polish. Use a non abrasive type automotive wax. Any use of abrasive soaps, polishes or waxes can be detrimental to the finish.

On our website you'll find a wide variety of high-quality Running Boards & Step Bars from Romik.