



**3228 Nissan Pathfinder 2013-Present**

**Installation Instructions**



**50 Min.**

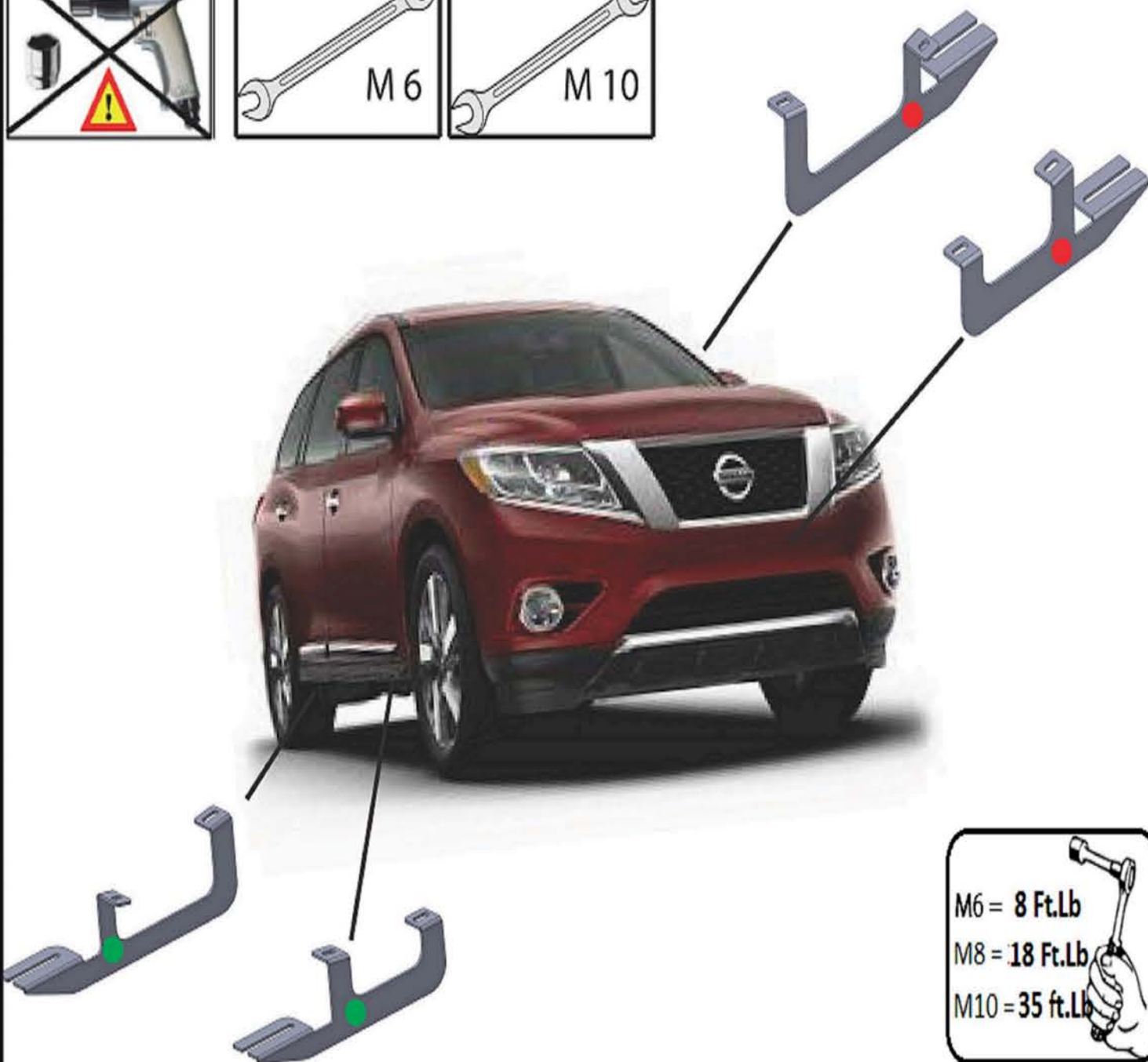
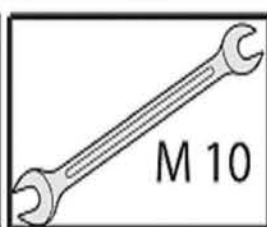
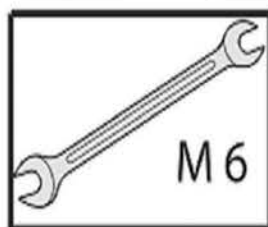
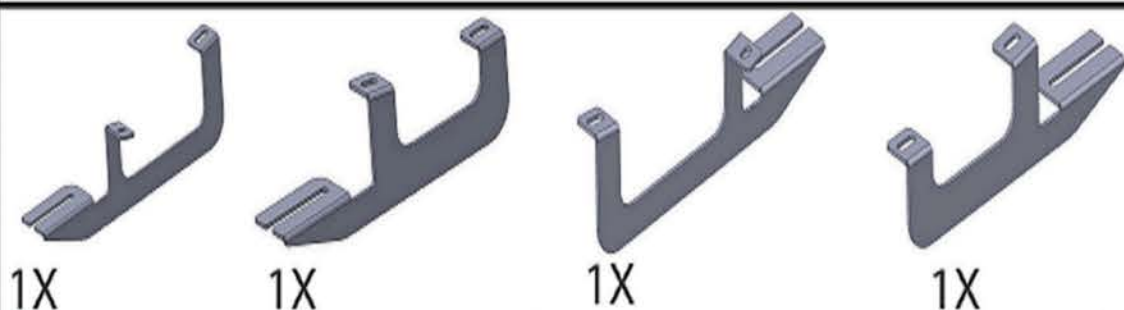
NOTE: Before starting this installation make sure all the hardware is included and this part number matches your vehicle.

# 3228 Nissan Pathfinder 2013+



8		HTC 226 M8x30 (5x12x30)
8		HTC 271 M8

8		DIN 125 M8
8		DIN 6923 M8



**M6 = 8 Ft.Lb**  
**M8 = 18 Ft.Lb**  
**M10 = 35 Ft.Lb**

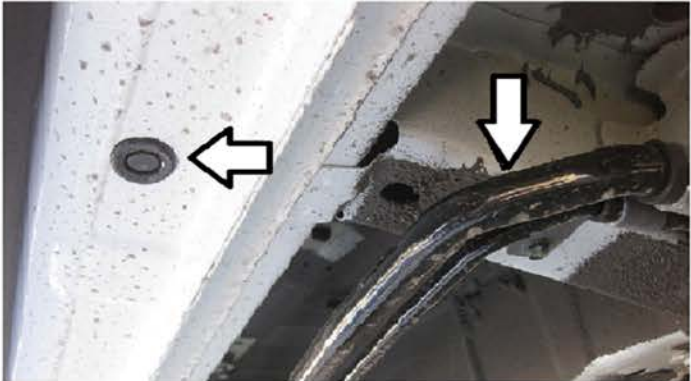
ATTENTION PLEASE! : DO NOT TIGHTEN ALL OF THE SCREWS UNTIL ALL OF THE PARTS ARE INSTALLED.

Keep your Romik accessories clean. To prevent corrosion and to maintain your high quality finish, wax or polish regularly with quality stainless polish. Use a non abrasive type automotive wax. Any use of abrasive soaps, polishes or waxes can be detrimental to the finish.

M6 = 8 Ft.Lb  
M8 = 18 Ft.Lb  
M10 = 35 ft.Lb



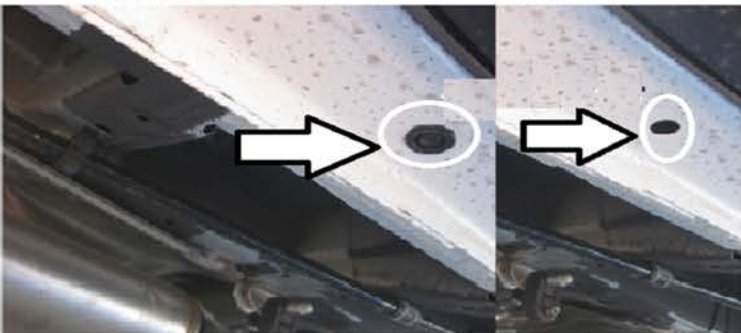
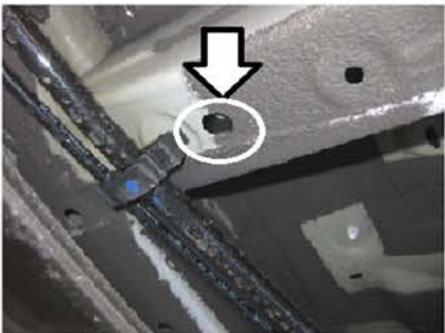
# FRONT



- 1) Locate front mounting area, remove rubber plugs as shown above
- 2) Proceed to install HTC 227 on both mounting points
- 3) Proceed to install front bracket, hand tight only.



# BACK



- 1) Locate rear mounting area, remove rubber plugs as shown above
- 2) Proceed to install HTC 227
- 3) Proceed to install rear bracket, hand tight only
- 4) Proceed to install running boards hand tight only
- 5) Proceed to torque bracket hardware M8 to 18 Ft.Lb
- 6) Proceed to torque running board hardware M8 to 18 Ft.Lb

**WARNING:** Use of prowertools will void warranty

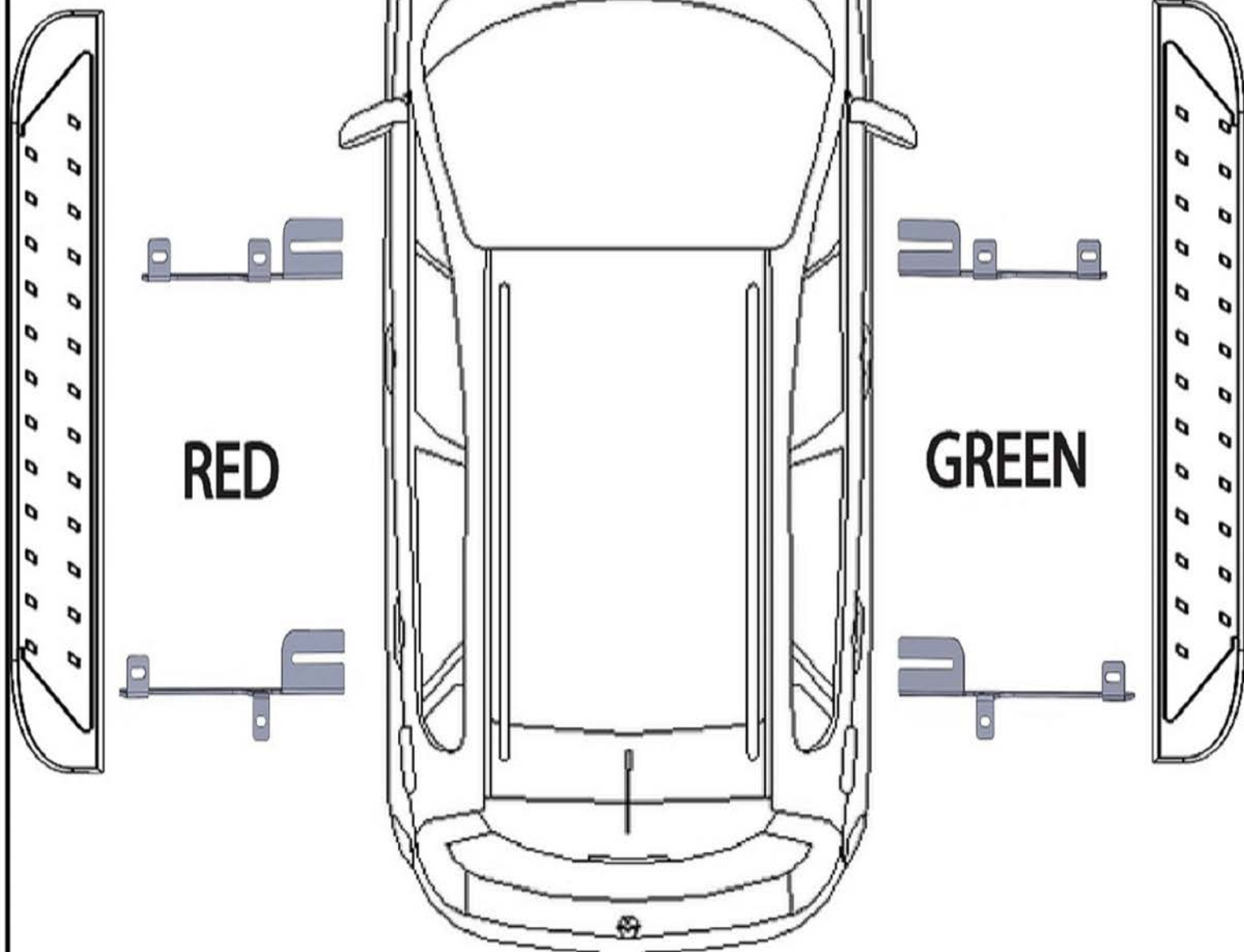
# 3228 Nissan Pathfinder 2013-Present



M6 = 8 Ft.Lb

M8 = 18 Ft.Lb

M10 = 35 ft.Lb



On our website you'll find a wide variety of high-quality [Running Boards & Step Bars](#) from [Romik](#).