



2614 Dodge Durango 2011+

Installations Instructions



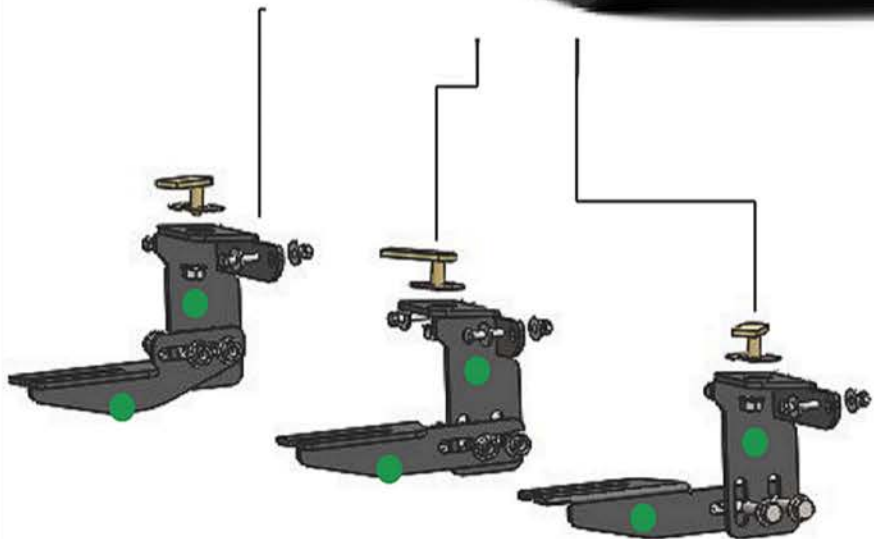
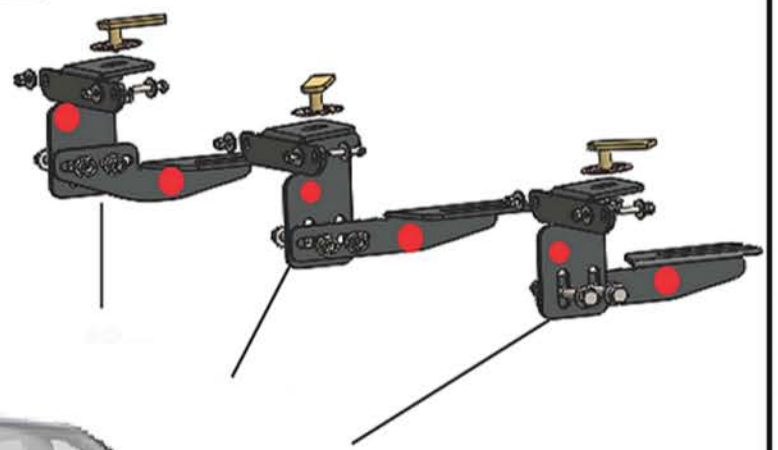
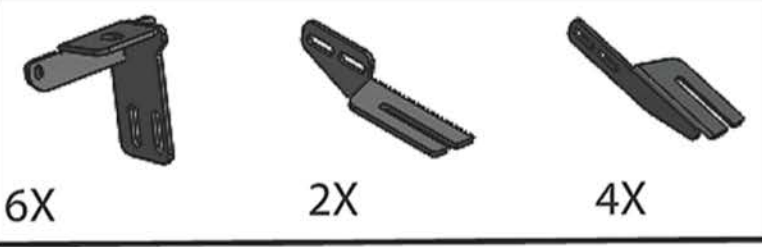
60 Minutes

NOTE: Before starting this installation make sure all the hardware is included and this part number matches your vehicle.

Dodge Durango 2011-Present



12		DIN 6921;M10x25	4		DIN 125 M6	6		HTC 230 M10x30
18		DIN 6923;M10	6		HTC269 M10	12		DIN 933 M6x30
12		DIN 6923;M6						



M6 = 8 Ft.Lb
M8 = 18 Ft.Lb
M10 = 35 Ft.Lb

ATTENTION!!! DO NOT TIGHTEN ALL OF THE SCREWS UNTIL ALL OF THE PARTS ARE INSTALLED.

KEEP YOUR ROMIK ACCESSORIES CLEAN. TO PREVENT CORROSION AND TO MAINTAIN YOUR HIGH QUALITY FINISH, WAX OR POLISH REGULARLY WITH FOR ADDITIONAL QUALITY STAINLESS POLISH. USE A NON ABRASIVE TYPE AUTOMOTIVE WAX. ANY USE OF ABRASIVE SOAPS, POLIS OR WAXES CAN BE DETRIMENTAL TO THE FINISH.



M6 = 8 Ft.Lb

M8 = 18 Ft.Lb

M10 = 35 Ft.Lb



1) Locate front mounting position, note this is the second hole from front to back



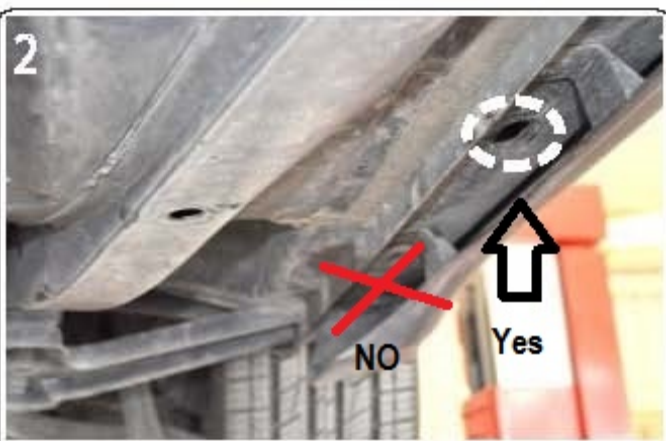
3) Insert HTC 230 with HTC 269 as shown



5) Attach bracket with M6 bolts to not tighten



7) Attach lower portion with M10 hardware do not tighten yet



2) Remove factory rubber covering



4) Notice correct insert position



6) Bracket properly installed



M6 = 8 Ft.Lb
M8 = 18 Ft.Lb
M10 = 35 ft.Lb



1) Locate middle bracket mounting point 3rd hole



2) Remove rubber plug as shown above



3) Insert HTC 230 with HTC 269 as shown above



4) Attach bracket with supplied M6 hardware



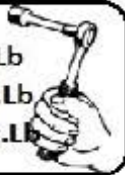
5) Attach lower portion with M10 hardware do not tighten yet



6) Properly installed brackets



M6 = 8 Ft.Lb
M8 = 18 Ft.Lb
M10 = 35 ft.Lb



1) Locate rear bracket mounting point 4th hole



2) Insert HTC 230 with HTC 269 as shown above



3) Attach bracket with supplied M6 Hardware



4) Bracket properly installed



5) Attach lower portion with M10 hardware do not tighten yet.

- 6) Loosen the M8 nuts on back of the steps
- 7) Attach steps to brackets hand tight only
- 8) Place a level on top of the step making sure step is leveled
- 9) Tighten top bracket portion M10 to 35 ft lbs M6 to 8 ft lbs
- 10) Tighten M10 on lower portion to 35 ft lbs making sure steps are leveled
- 11) Tighten M8 hardware under steps to 18 ft lbs do not use power tools as this may damage the step
- 12) Remove level
- 13) Repeat procedure on opposite side.

WARNING: Use of powertools will void warranty

Dodge Durango 2011-Present

