



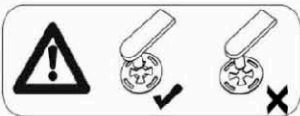
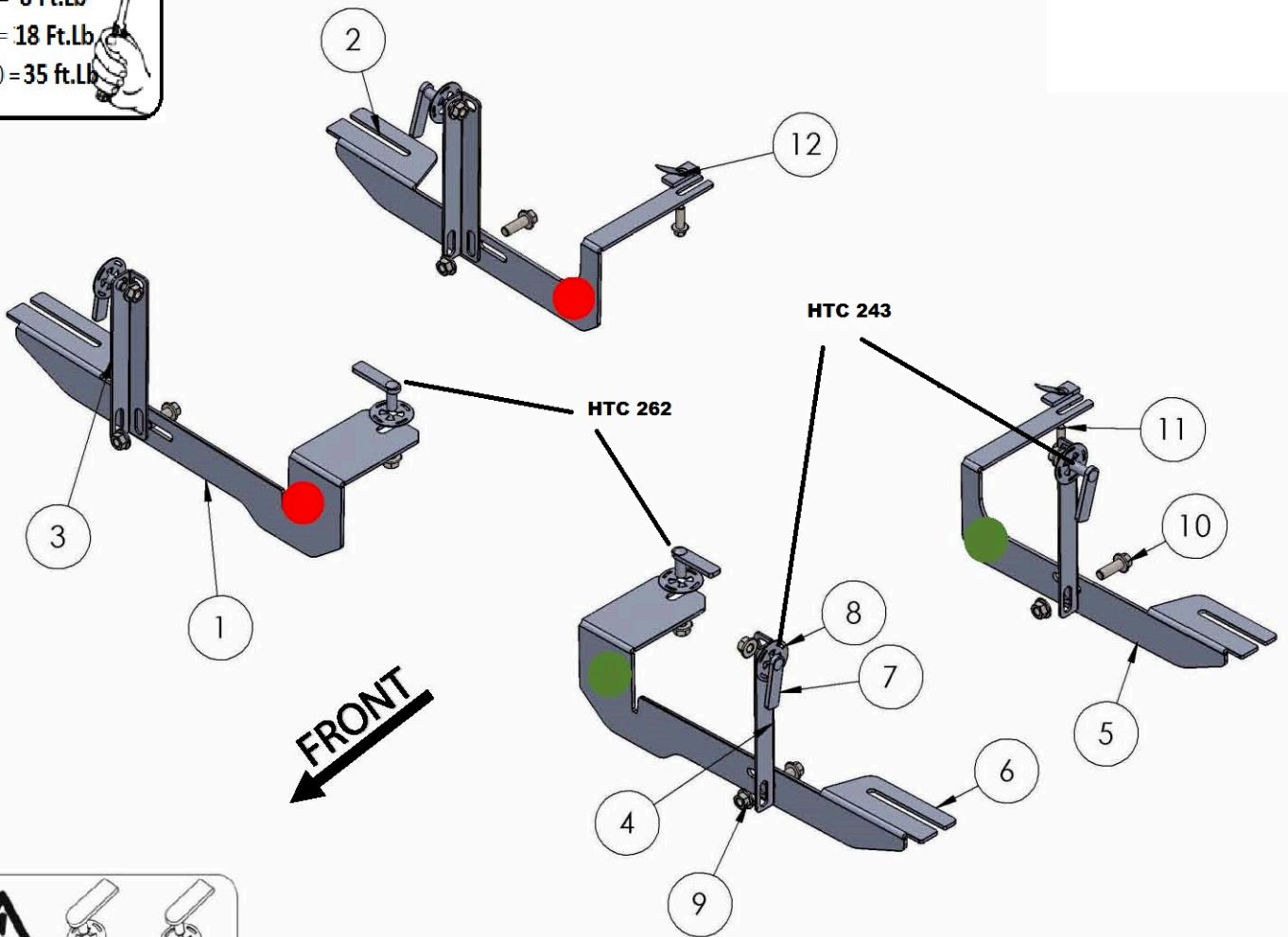
**5811 GMC Acadia 2017-Present**

Installation Instructions



60 Minutes

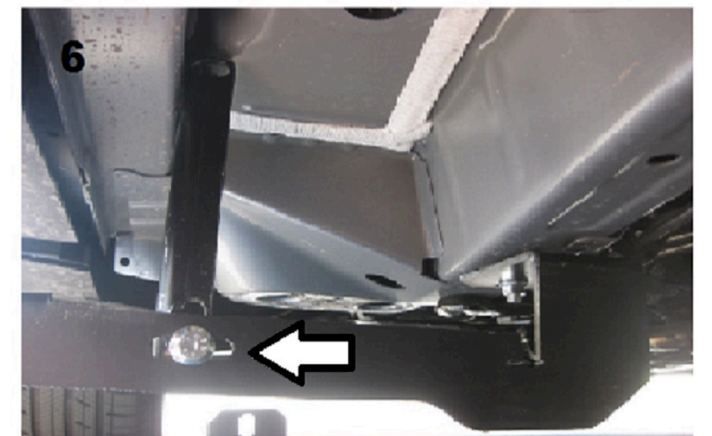
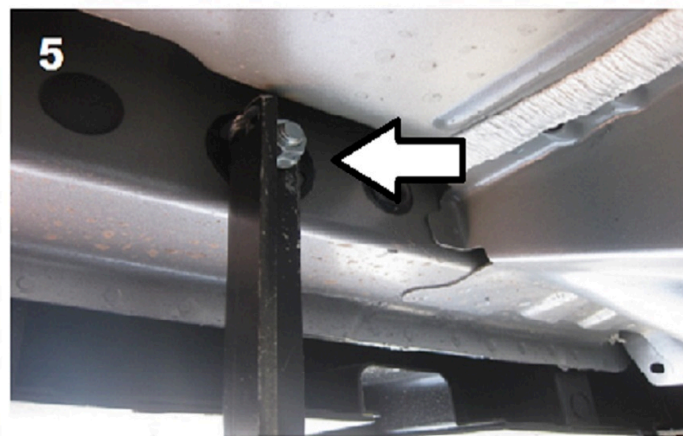
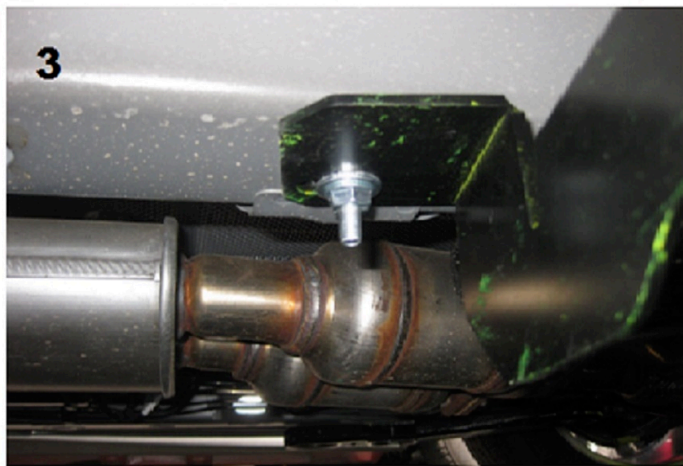
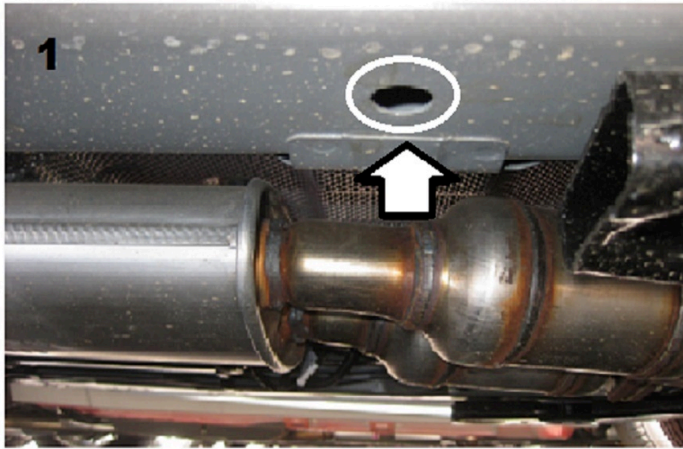
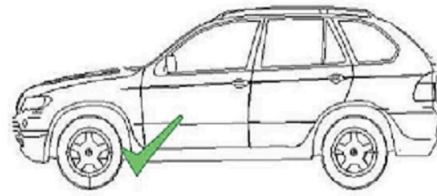
M6 = 8 Ft.Lb  
M8 = 18 Ft.Lb  
M10 = 35 Ft.Lb



| ITEM | PART NAME                     | QTY |
|------|-------------------------------|-----|
| 1    | 5811850F0 PASSENGER           | 1   |
| 2    | 5811850B0 PASSENGER           | 1   |
| 3    | 5811850FB1 PASSENGER          | 2   |
| 4    | 5811850FB1 DRIVER             | 2   |
| 5    | 5811850B0 DRIVER              | 1   |
| 6    | 5811850F0 DRIVER              | 1   |
| 7    | HTC 262 - M10x30(5x15x60)     | 4   |
| 8    | HTC 269 CLIPS (M10)           | 6   |
| 9    | DIN 6923 FLANGE NUT M10       | 10  |
| 10   | DIN 6921 FLANGE BOLT M10 x 30 | 4   |
| 11   | DIN 6921 FLANGE BOLT M8 x 25  | 2   |
| 12   | HTC 286 M10 (4X16X30) waykiki | 2   |

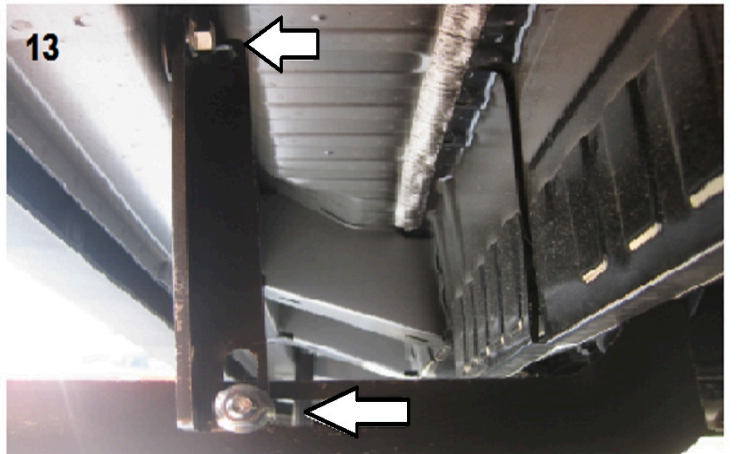
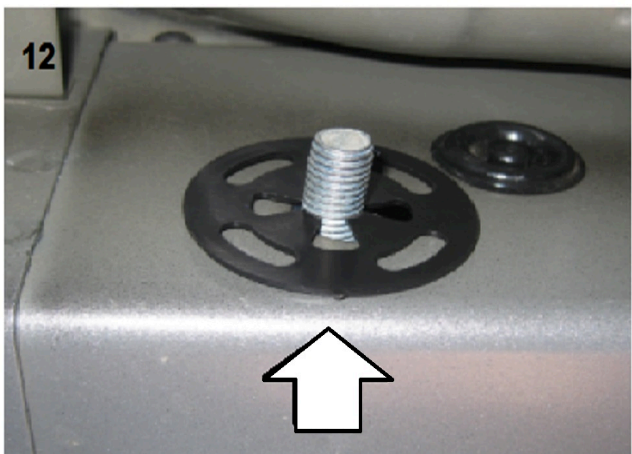
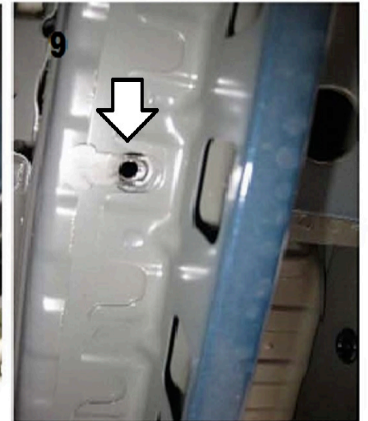
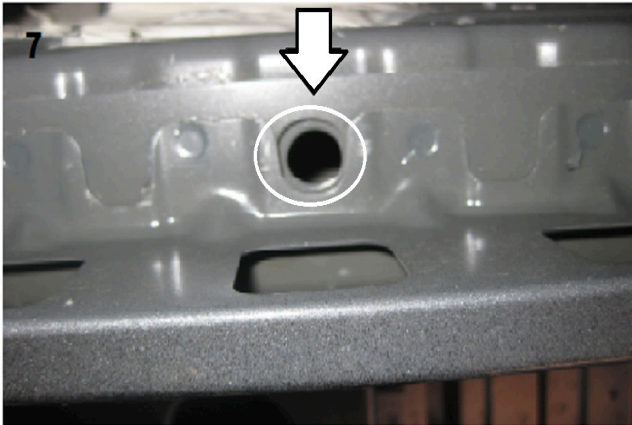
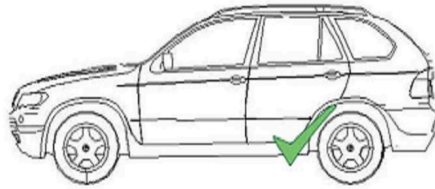






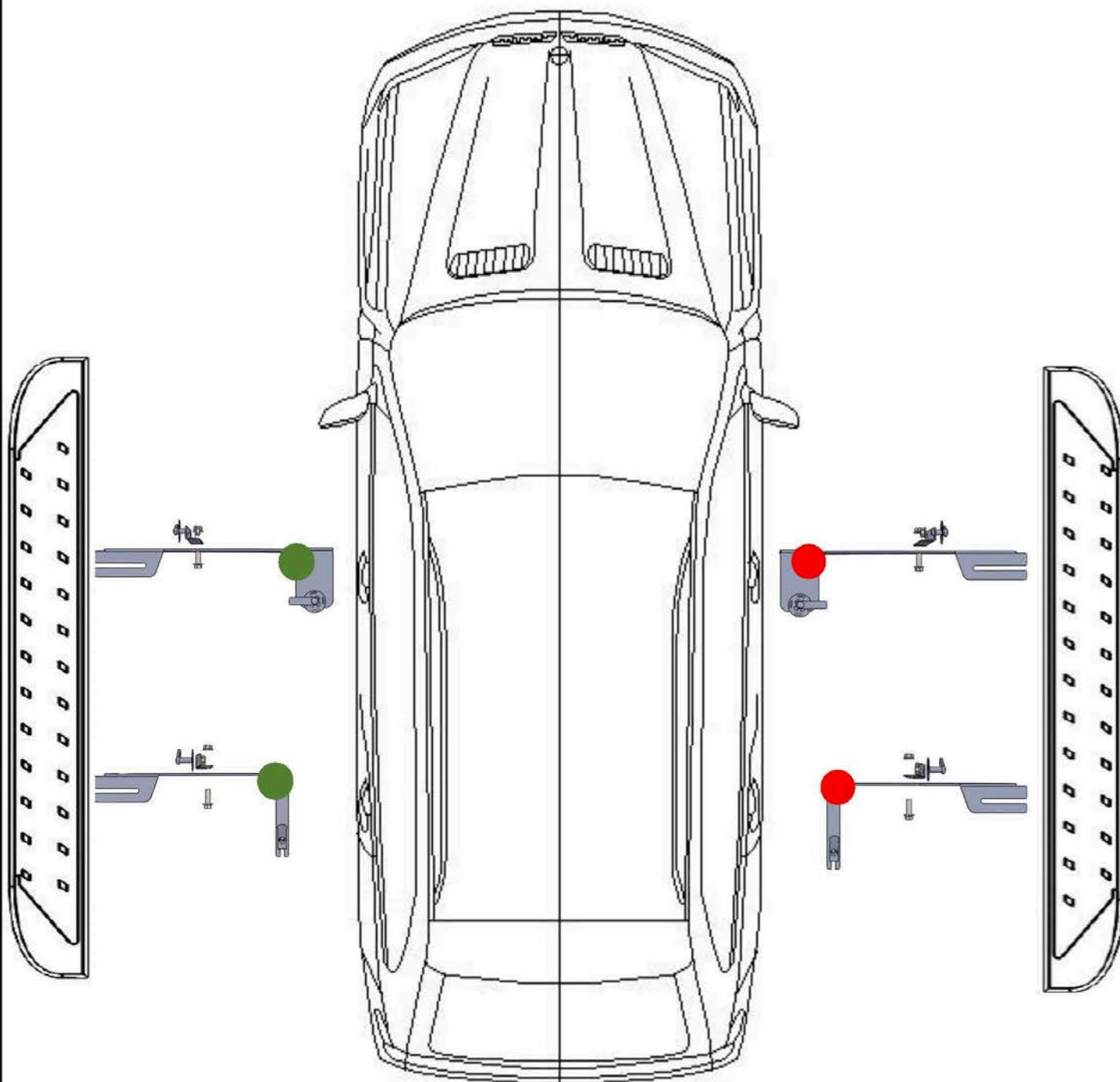
- 1) Locate front mounting area and install HTC 262 as shown on image #1, #2 attach main bracket image #3
- 2) Locate and remove rubber plug and install HTC 243 as show on image #4
- 3) Attach extra support bracket as shown on image #5
- 4) Connect extra support bracket with main bracket using supplied hardware as shown on image #6
- 5) Do not tighten anything yet, and proceed to the rear bracket area.





- 6) Locate rear mounting area and insert supplied M8 special nut with M8 bolt as shown on image #7, #8, #9, #10
- 7) Slide in rear main bracket as shown on image #11
- 8) Locate rear rubber plugs and insert HTC 243 as shown on image #12
- 9) Attach rear extra support to main bracket using supplied hardware as shown on image #13
- 10) Leave all brackets loose and now install the steps. Do not tighten steps yet, once you center the steps go back and tighten the brackets M8 to 18 foot pounds and M10 to 35 foot pounds. Once all brackets are tight proceed to tighten steps. Do not use power tools as this will void your warranty.

# 5811 GMC Acadia 2017-Present



ATTENTION PLEASE! : DO NOT TIGHTEN ALL OF THE SCREWS UNTIL ALL OF THE PARTS ARE INSTALLED.

Keep your Romik accesories clean. To prevent corrsion and to maintain your high quality finish, wax or polish regulary with quality stainless polish. Use a non abrasive type automotive wax. Any use of abrasive soaps, polishes or waxes can be detrimental to the finish.

On our website you'll find a wide variety of high-quality Running Boards & Step Bars from Romik.