



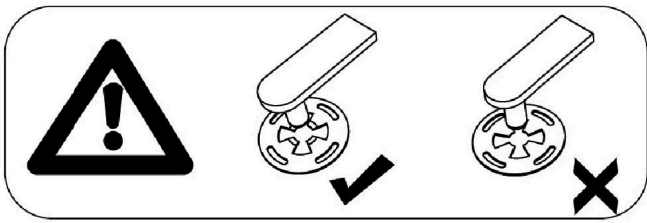
5314 - MAZDA CX9 2007-2012

Installation Instructions

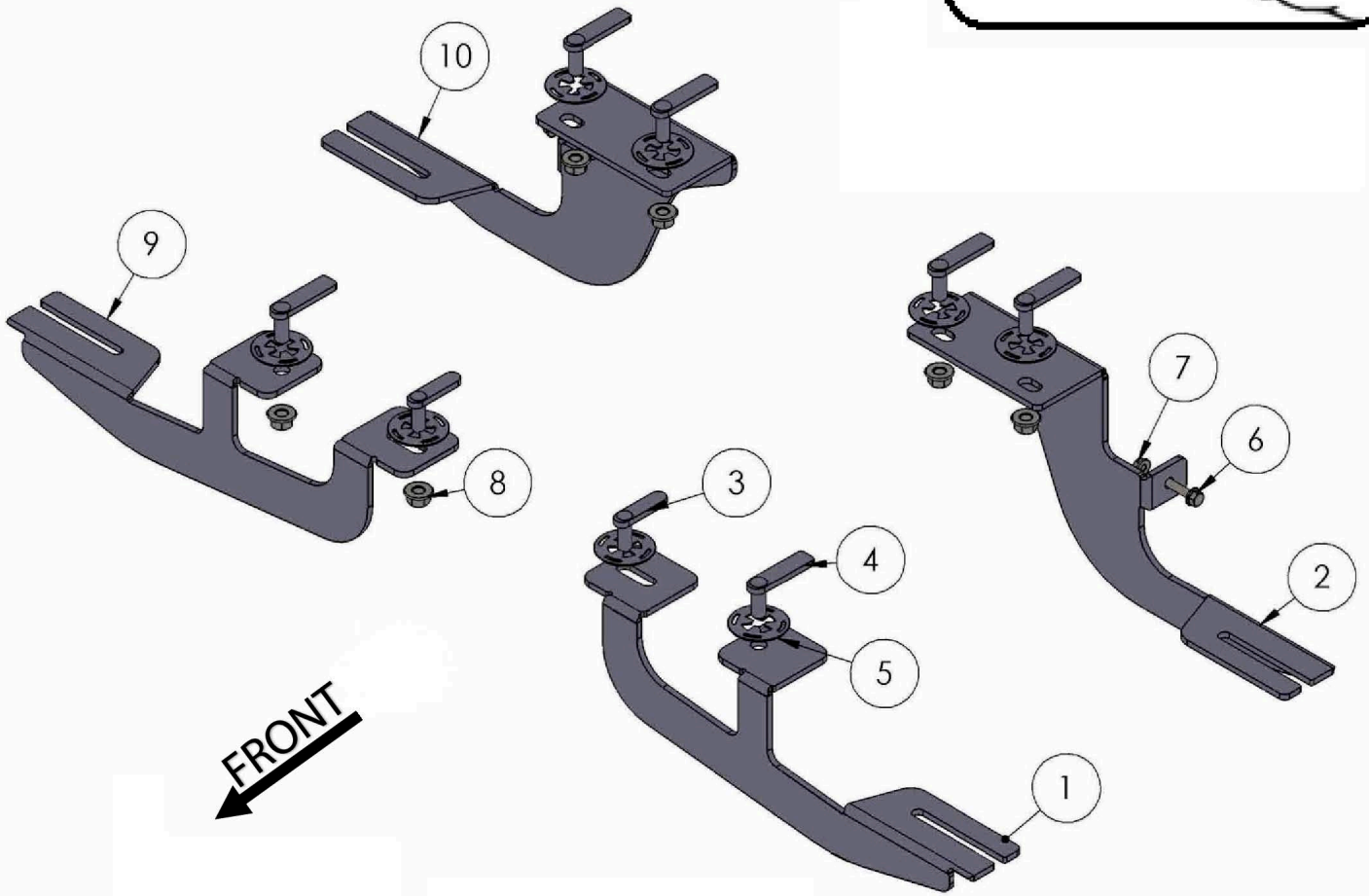


65 Min.

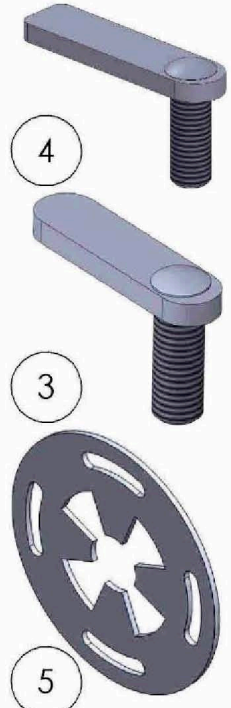
NOTE: Before starting this installation makes sure that all hardware matches these instructions.

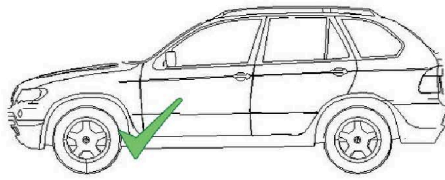


M6 = 8Ft.Lb
 M8 = 18 Ft.Lb
 M10 = 35 Ft.Lb

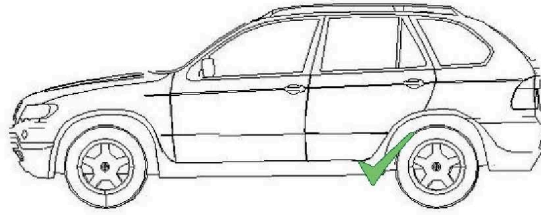


ITEM	PART NAME	QTY.
1	5314850F0 DRIVER	1
2	5314850B0 DRIVER	1
3	HTC 243 - M10x25	2
4	HTC 262 - M10x30	6
5	HTC 269 CLIPS / KLIPS (M10)	8
6	DIN 6921 - M6 x 30	2
7	DIN 6923 FLANGE NUT - M6	2
8	DIN 6923 FLANGE NUT - M10	8
9	5314850F0 PASSENGER	1
10	5314850B0 PASSENGER	1





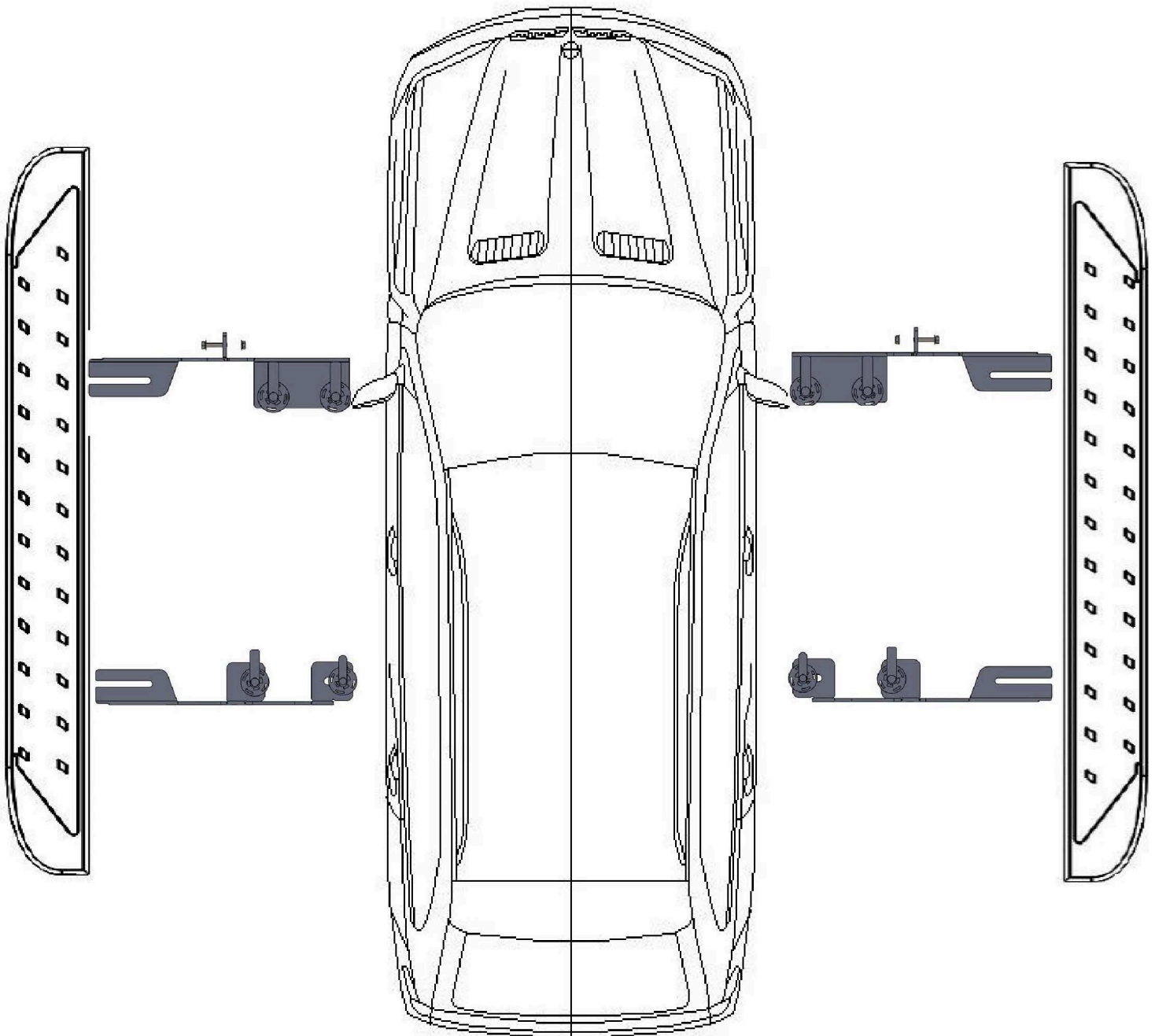
- 1) Locate front mounting area as shown on image #1 and #2.
- 2) Install HTC 262 and HTC 243 with HTC 269.
- 3) Install front bracket as shown on image #3.
- 4) Tighten brackets hardware M10 to 35 ft lbs. **WARNING:** Do not use power tools.
- 5) Repeat procedure on opposite side.
- 6) Do not tighten anything yet and proceed to the rear bracket area.



- 1) Locate rear mounting area as shown on image #1.
- 2) Install HTC 262 with HTC 269.
- 3) Install rear bracket as shown on image #2.
- 4) Tighten brackets hardware M10 to 35 ft lbs. **WARNING: Do not use powertools.**
- 5) Repeat procedure on opposite side.
- 6) Do not tighten anything yet.

Note: Use of powertools will damage products and void your warranty.

5314 - MAZDA CX9 2007-2012



ATTENTION PLEASE! : DO NOT TIGHTEN ALL OF THE SCREWS UNTIL ALL OF THE PARTS ARE INSTALLED.

Keep your Romik accessories clean. To prevent corrosion and to maintain your high quality finish, wax or polish regularly with quality stainless polish. Use a non abrasive type automotive wax. Any use of abrasive soaps, polishes or waxes can be detrimental to the finish.

On our website you'll find a wide variety of high-quality Running Boards & Step Bars from Romik.