



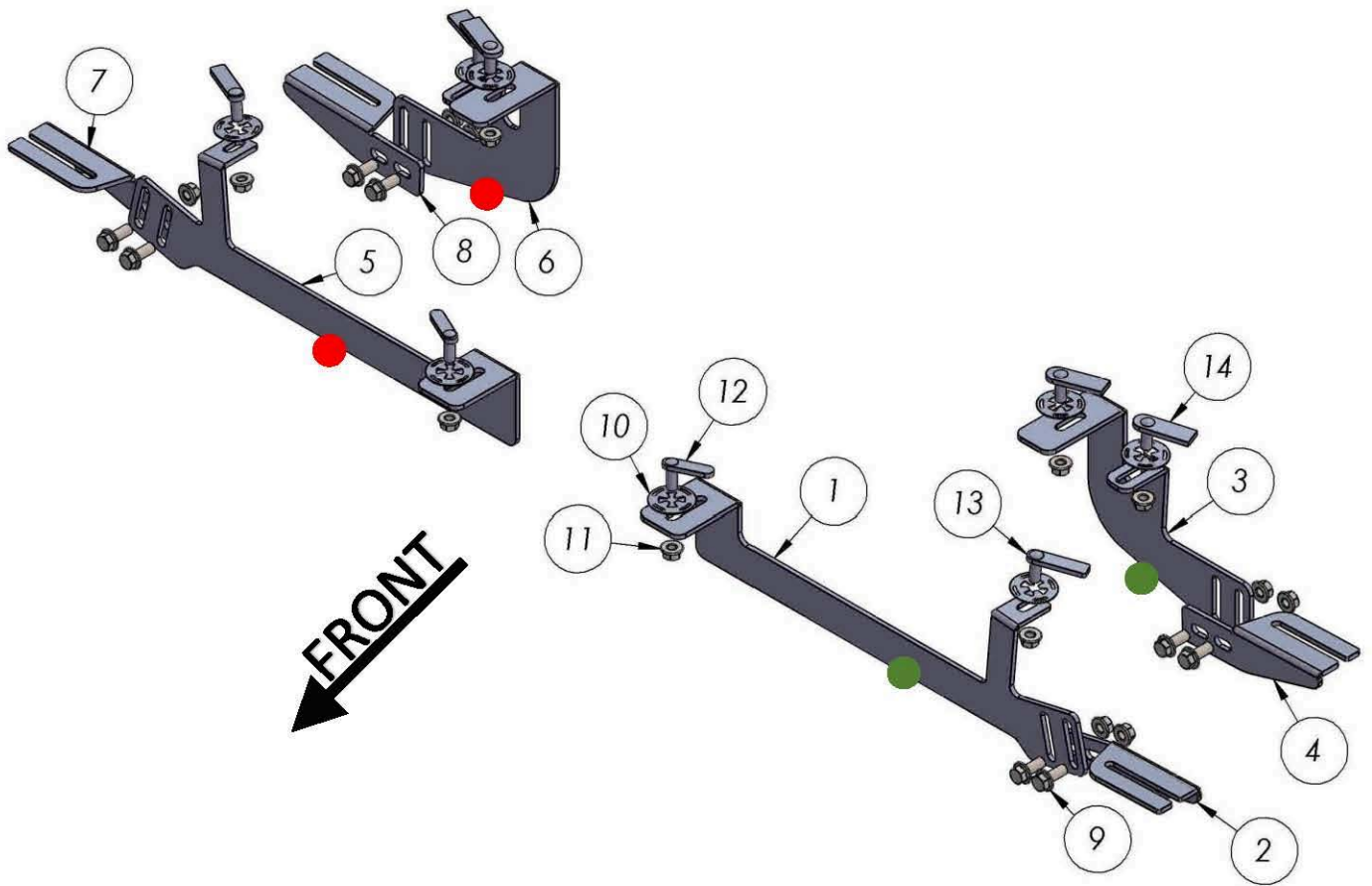
6211 Lincoln MKX 2016-Present

Installation Instructions

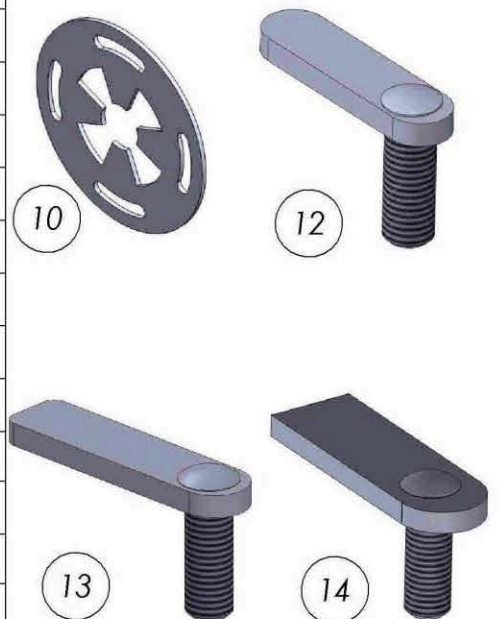


60 Minutes

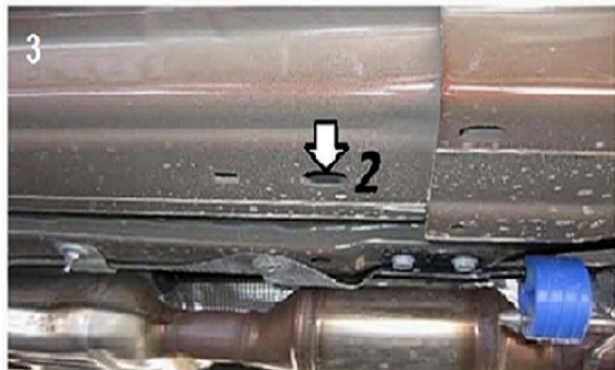
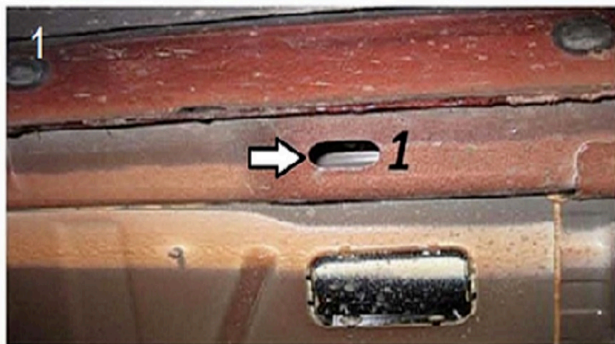
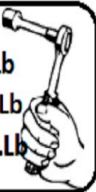
M8 = 25 Nm
M10 = 50 Nm
M12 = 84 Nm



ITEM/NO	PART NAME	QTY
1	2152850F0 DRIVER	1
2	2152850F1 DRIVER	1
3	2152850B0 DRIVER	1
4	2152850B1 DRIVER	1
5	2152850F0 PASSENGER	1
6	2152850B0 PASSENGER	1
7	2152850F1 PASSENGER	1
8	2152850B1 PASSENGER	1
9	DIN 6921 FLANGE BOLT - M10 x 25	8
10	HTC 269 CLIPS / KLIPS (M10)	8
11	DIN 6923 FLANGE NUT - M10	16
12	HTC 243 - M10x25	2
13	HTC 262 - M10x30	2
14	HTC 230 - M10x25(5x20x60)	4



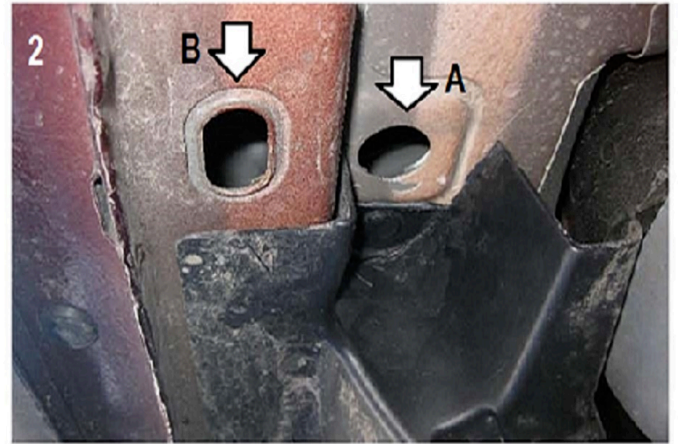
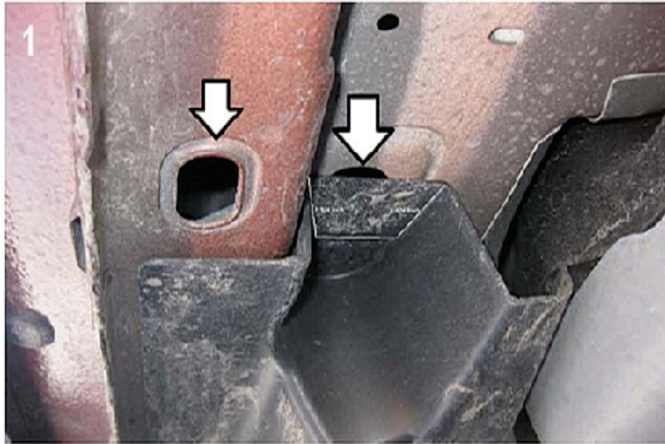
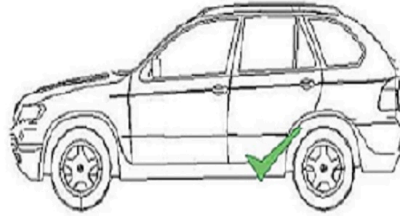
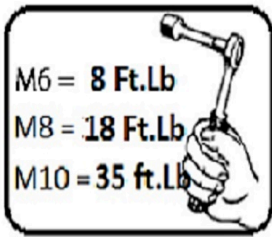
M6 = 8 Ft.Lb
M8 = 18 Ft.Lb
M10 = 35 Ft.Lb



- 1) Remove plastic panel and set aside
- 2) Locate front bracket mounting point image #1
- 3) Insert HTC 262 with HTC 269
- 4) Locate second position image #3
- 5) Insert HTC 243 with HTC 269
- 6) Cut a 4 1/2 by 4 1/2 square on panel as shown on image #5
- 7) Reinstall panel on vehicle
- 8) Attach front leveling bracket with M10 hardware as shown on image #6 hand tight only
Proceed to rear bracket area

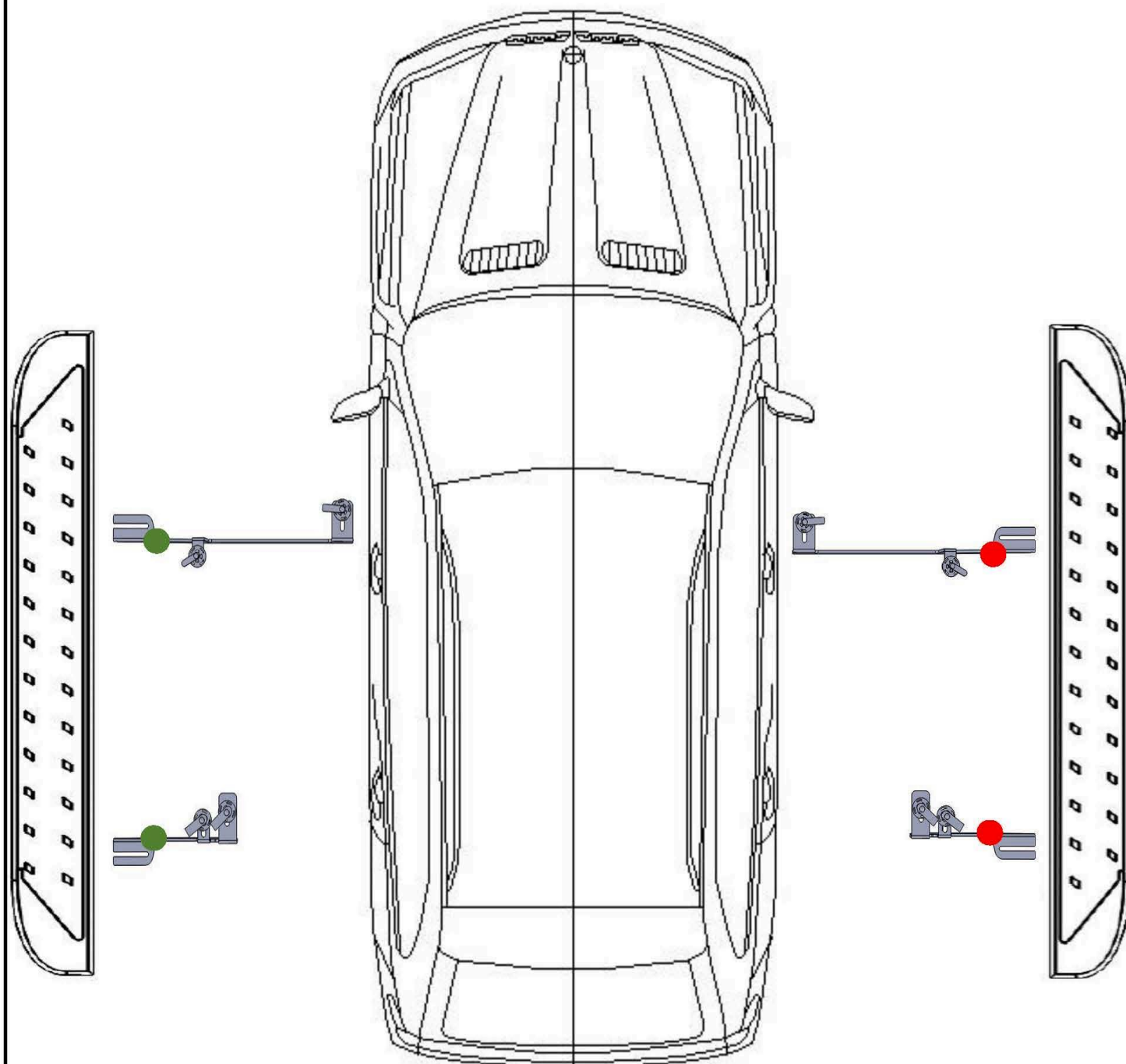
NOTE: Vehicle requires panel removal and cutting.

NOTE: Vehicle requires cutting rear plastic panel



- 1) Locate rear mounting bracket area and cut plastic panel as shown on image #1 cut 1 3/4 inch
- 2) Insert HTC 230 with HTC 269 position "A" Image #2
- 3) Insert HTC 269 with HTC 269 position "B" image #2
- 4) Install rear bracket do not tighten yet
- 5) Attach the rear leveling bracket with M10 hardware as shown on image #4
- 6) Loosen M8 hardware on steps and install on brackets hand tight only
- 7) Proceed to tighten bracket hardware M10 to 35 ft lbs and M8 to 18 ft lbs
- 8) Place a level on top of the steps and adjust as necessary using the front and rear leveling positions
- 9) Proceed to tighten levelers once desired position is reached to 35 ft lbs
- 10) Proceed to tighten step M8 hardware to 18 ft lbs do not over tighten as you may damage the steps
- 11) Repeat procedure on opposite side

WARNING: Use of powertools will void the warranty



ATTENTION PLEASE! : DO NOT TIGHTEN ALL OF THE SCREWS UNTIL ALL OF THE PARTS ARE INSTALLED.

Keep your Romik accessories clean. To prevent corrosion and to maintain your high quality finish, wax or polish regularly with quality stainless polish. Use a non abrasive type automotive wax. Any use of abrasive soaps, polishes or waxes can be detrimental to the finish.

On our website you'll find a wide variety of high-quality Running Boards & Step Bars from Romik.