



2819 - LAND ROVER VOGUE 2014-PRESENT

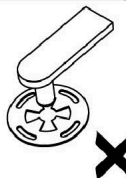
Short Wheel Base Model only

Installation Instructions



85 Min.

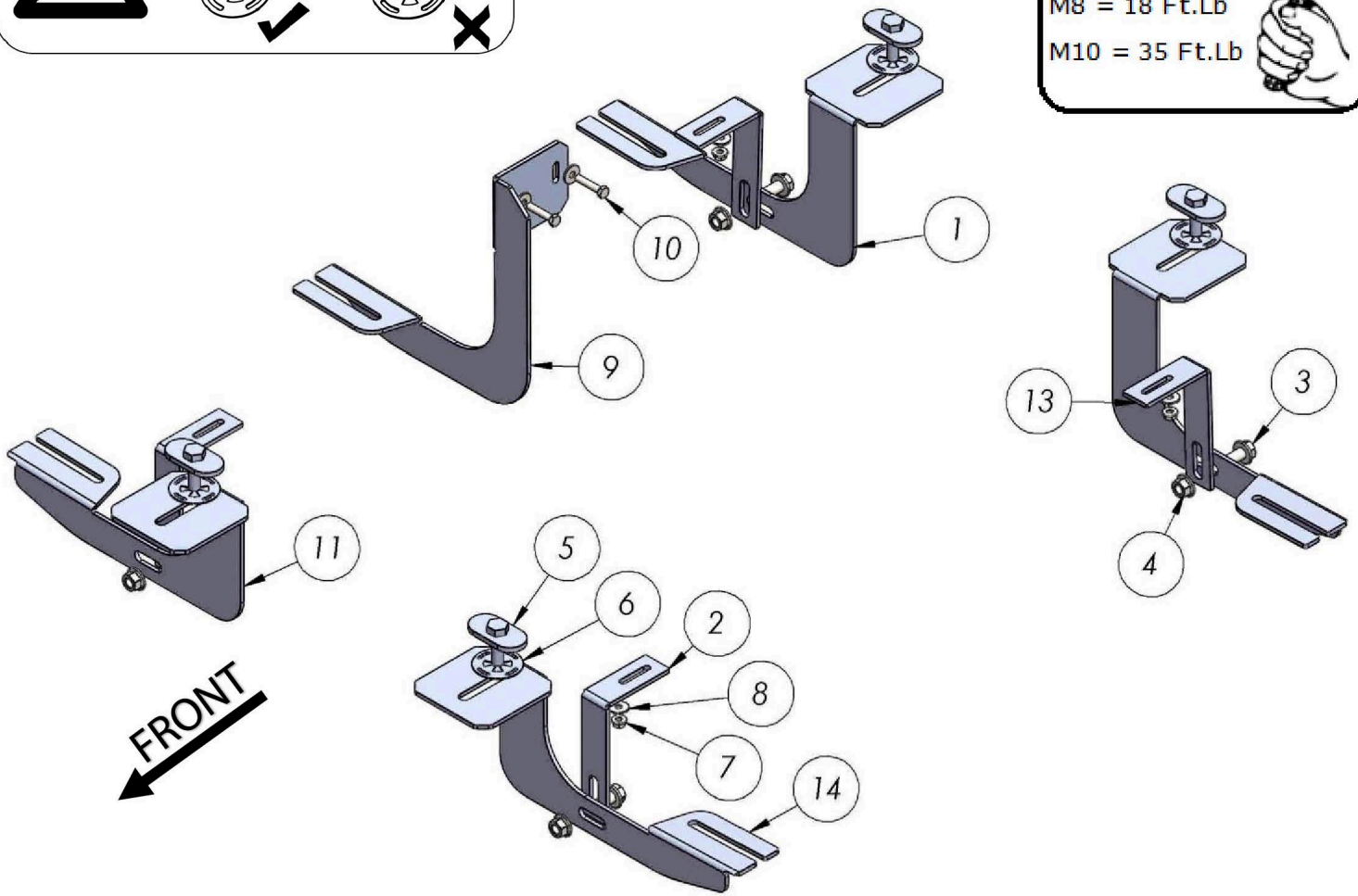
NOTE: Before starting this installation makes sure that all hardware matches these instructions.



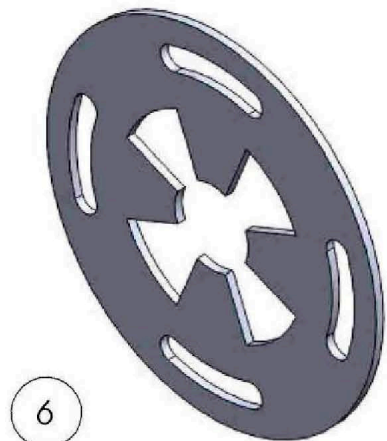
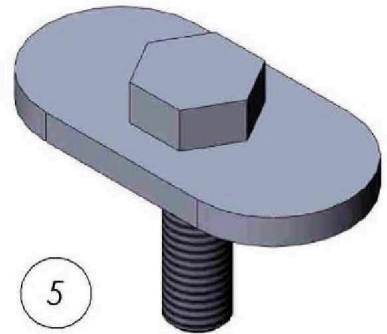
M6 = 8Ft.Lb

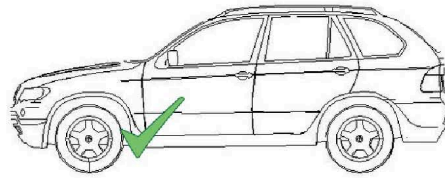
M8 = 18 Ft.Lb

M10 = 35 Ft.Lb

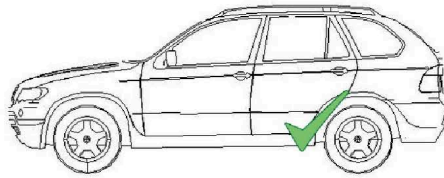


ITEM	PART NAME	QTY
1	2819.ABNS.F0 PASSENGER	1
2	2819.ABNS.F1	2
3	DIN 6921 FLANGE BOLT - M10 x 25	4
4	DIN 6923 FLANGE NUT - M10	8
5	HTC 240 - M10X30 (5X34X60)	4
6	HTC 269 CLIPS M10	4
7	DIN 6923 FLANGE NUT - M6	4
8	DIN 125 WASHER - M6	6
9	2819.ABNS.C0 PASSENGER	1
10	DIN 933 BOLT - M6 x 30	2
11	2819.ABNS.B0 PASSENGER	1
12	2819.ABNS.F0 DRIVER	1
13	2819.ABNS.F1	2
14	2819.ABNS.B0 DRIVER	1





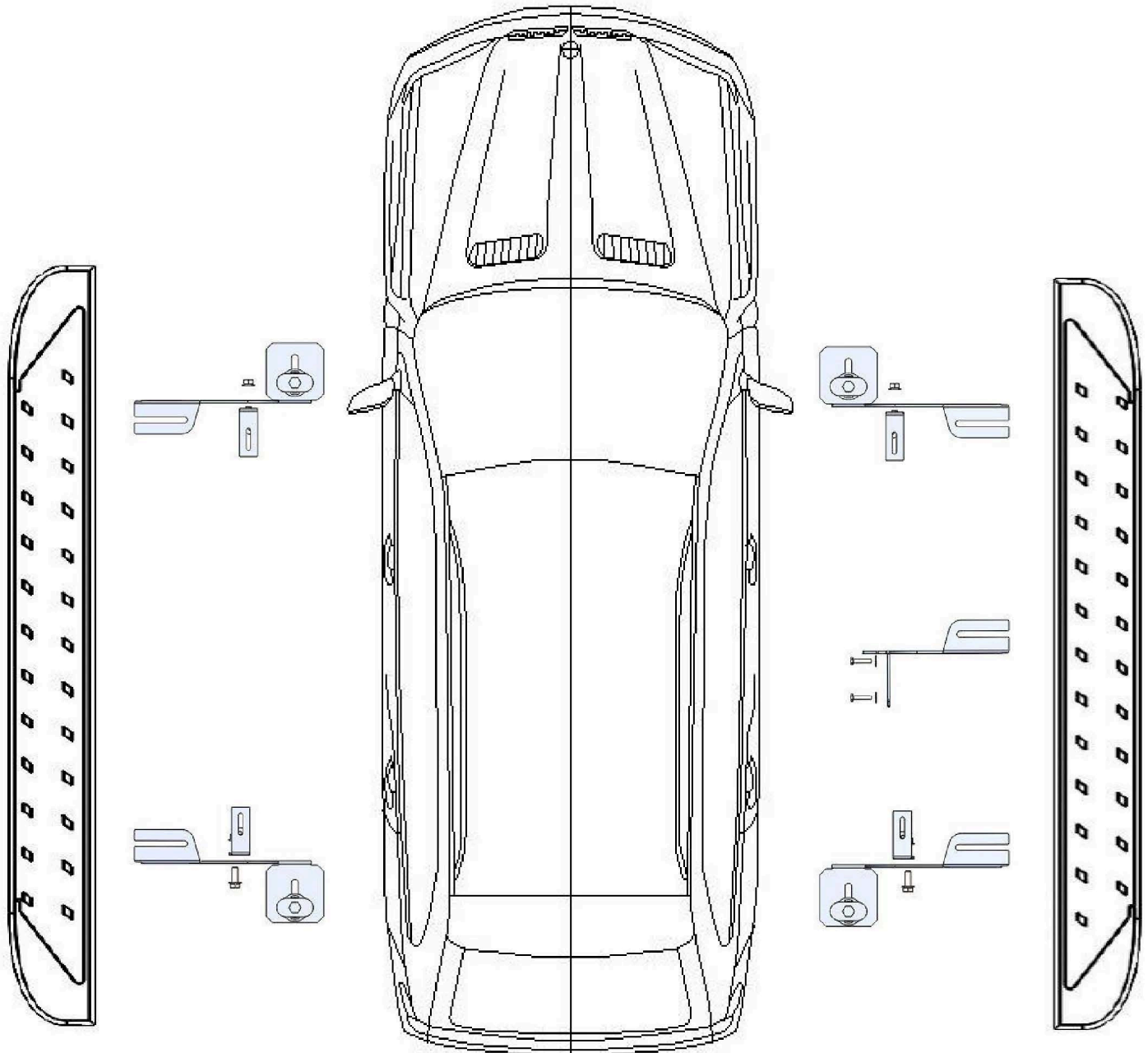
- 1) Locate front mounting area.
- 2) Install HTC 240 with HTC 269 as shown on image #1 and #2.
- 3) Install front bracket with M10 nut but do not tighten yet.
- 4) Install front extra support bracket with vehicle's bolt, M6 nut and washer as shown on image #3 and #4.
- 5) Connect extra support bracket with front bracket using supplied M10X25 bolt and nut.
- 6) Tighten brackets hardware M10 to 35 ft lbs and M6 to 8 ft lbs. **WARNING: Do not use powertools.**
- 7) Repeat procedure on opposite side.
- 8) Do not tighten anything yet and proceed to the middle bracket area.



- 1) Locate rear mounting area as shown on image #1.
- 2) Install HTC 240 with HTC 269 as shown on image #2.
- 3) Install rear bracket with M10 nut but do not tighten yet.
- 4) Install rear extra support bracket with vehicle's bolt, M6 nut and washer as shown on image #3 and #4.
- 5) Connect extra support bracket with rear bracket using supplied M10X25 bolt and nut.
- 6) Tighten brackets hardware M10 to 35 ft lbs and M6 to 8 ft lbs. **WARNING: Do not use powertools.**
- 7) Repeat procedure on opposite side.
- 8) Do not tighten anything yet.

2819 - LAND ROVER VOGUE 2014-PRESENT

Note: Use of powertools will damage products and void your warranty.



ATTENTION PLEASE! : DO NOT TIGHTEN ALL OF THE SCREWS UNTIL ALL OF THE PARTS ARE INSTALLED.

Keep your Romik accessories clean. To prevent corrosion and to maintain your high quality finish, wax or polish regularly with quality stainless polish. Use a non abrasive type automotive wax. Any use of abrasive soaps, polishes or waxes can be detrimental to the finish.

On our website you'll find a wide variety of high-quality [Running Boards & Step Bars](#) from [Romik](#).