



3227 Nissan Rouge 2014 - Present

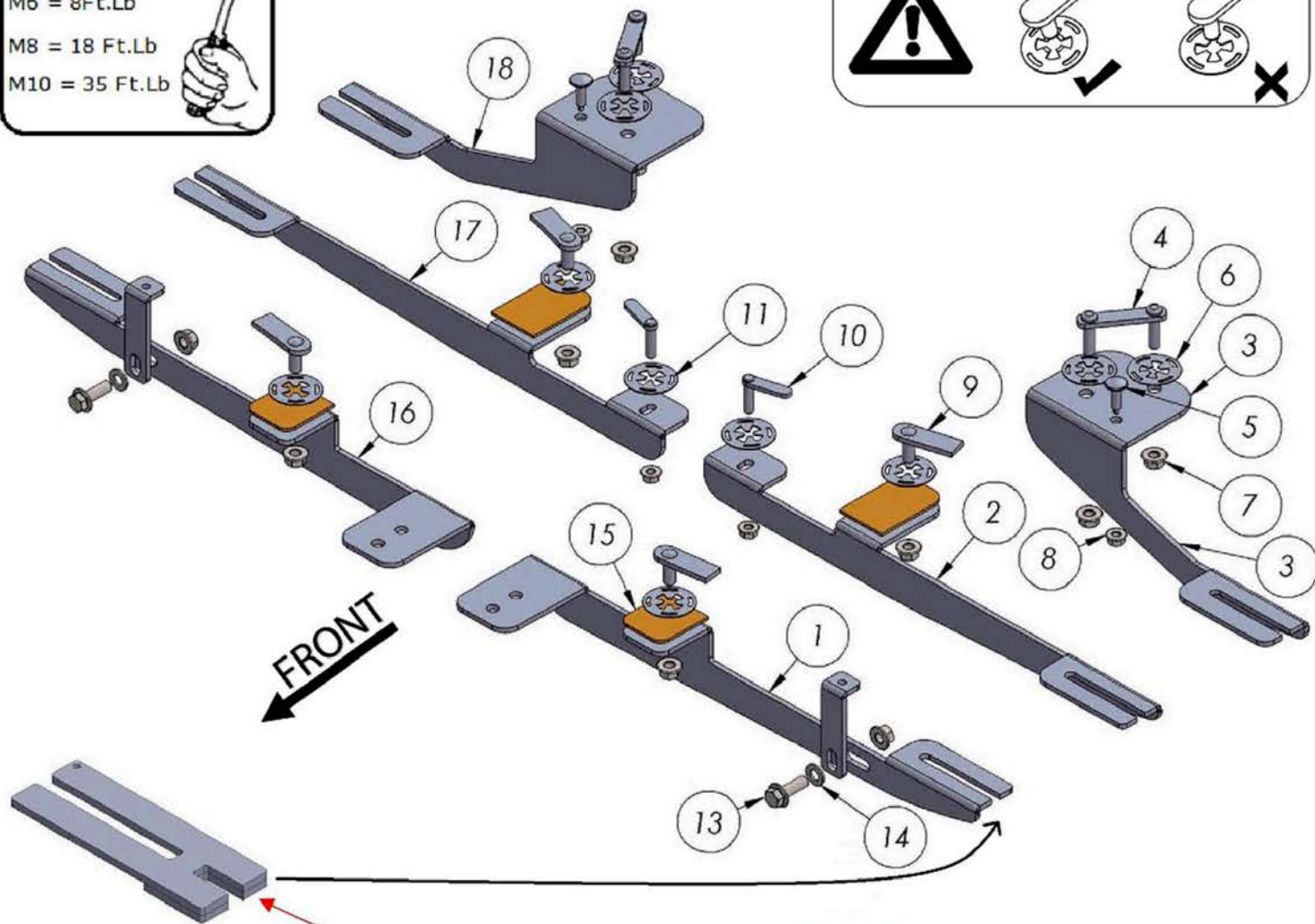
Installation Instructions



90 Minutes

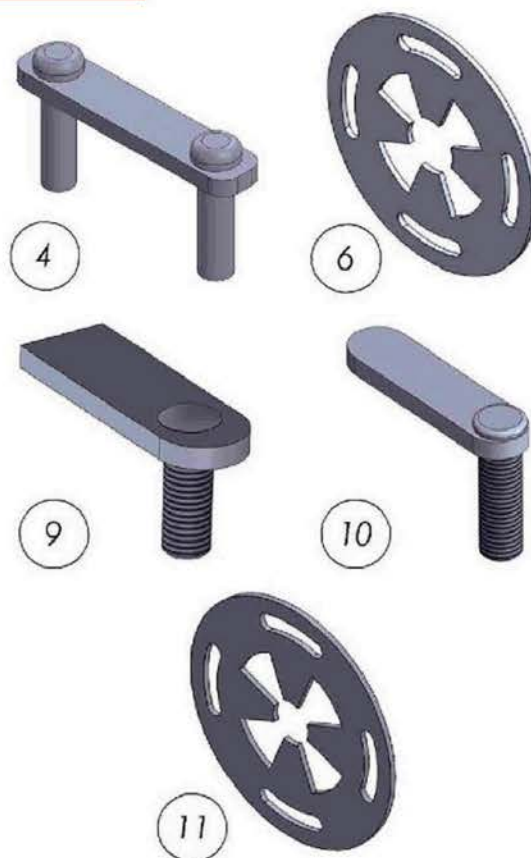
NOTE: Before starting this installation makes sure that all hardware matches these instructions.

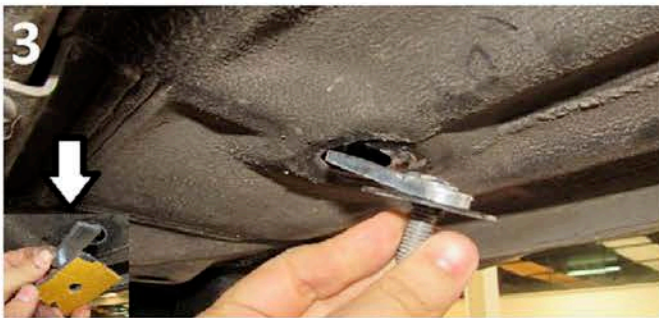
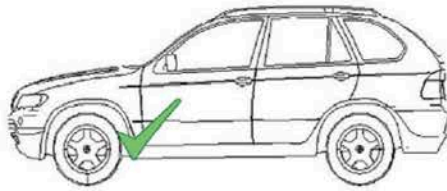
M6 = 8Ft.Lb
M8 = 18 Ft.Lb
M10 = 35 Ft.Lb



USE THESE EXTENDERS FOR 2017- PRESENT ROUGE

| ITEM | PART NUMBER | QTY |
|------|----------------------------------|-----|
| 1 | 3227751F0 DRIVER | 1 |
| 2 | 3227751C0 DRIVER | 1 |
| 3 | 3227751B0 DRIVER | 1 |
| 4 | HTC 302 - M10 x 35 (5 X 15 X 75) | 2 |
| 5 | OV BOLT M8 | 2 |
| 6 | HTC 269 - CLIPS (M10) | 8 |
| 7 | DIN 6923 FLANGE NUT - M10 | 10 |
| 8 | DIN 6923 FLANGE NUT - M8 | 4 |
| 9 | HTC 230 - M10x25(5x20x60) | 4 |
| 10 | HTC 226 - M8X30 (4X10X37) | 2 |
| 11 | HTC 271 - CLIPS (M8) | 2 |
| 12 | 3227751F1 | 2 |
| 13 | DIN 6921 FLANGE BOLT - M10 x 30 | 2 |
| 14 | DIN 125 WASHER - M10 | 2 |
| 15 | SPONGE | 4 |
| 16 | 3227751F0 PASSENGER | 1 |
| 17 | 3227751C0 PASSENGER | 1 |
| 18 | 3227751B0 PASSENGER | 1 |
| 19 | EXTENDER 1 INCH (25mm) | 6 |



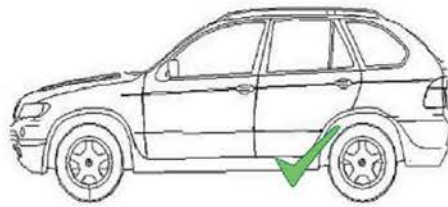


- 1) Locate front mounting area and remove rubber plugs as shown on image #1.
- 2) Install HTC 230 with HTC 269 and foam pad as shown on image #3 and #4.
- 3) Install extra support bracket and main front bracket with vehicle's bolt as shown on image #5 and #2.
- 4) Connect extra support bracket with main bracket using supplied M10X25 bolt and nut image #6
- 5) Do not tighten anything yet and proceed to the middle bracket area.

WARNING: Use of powertools will void the warranty



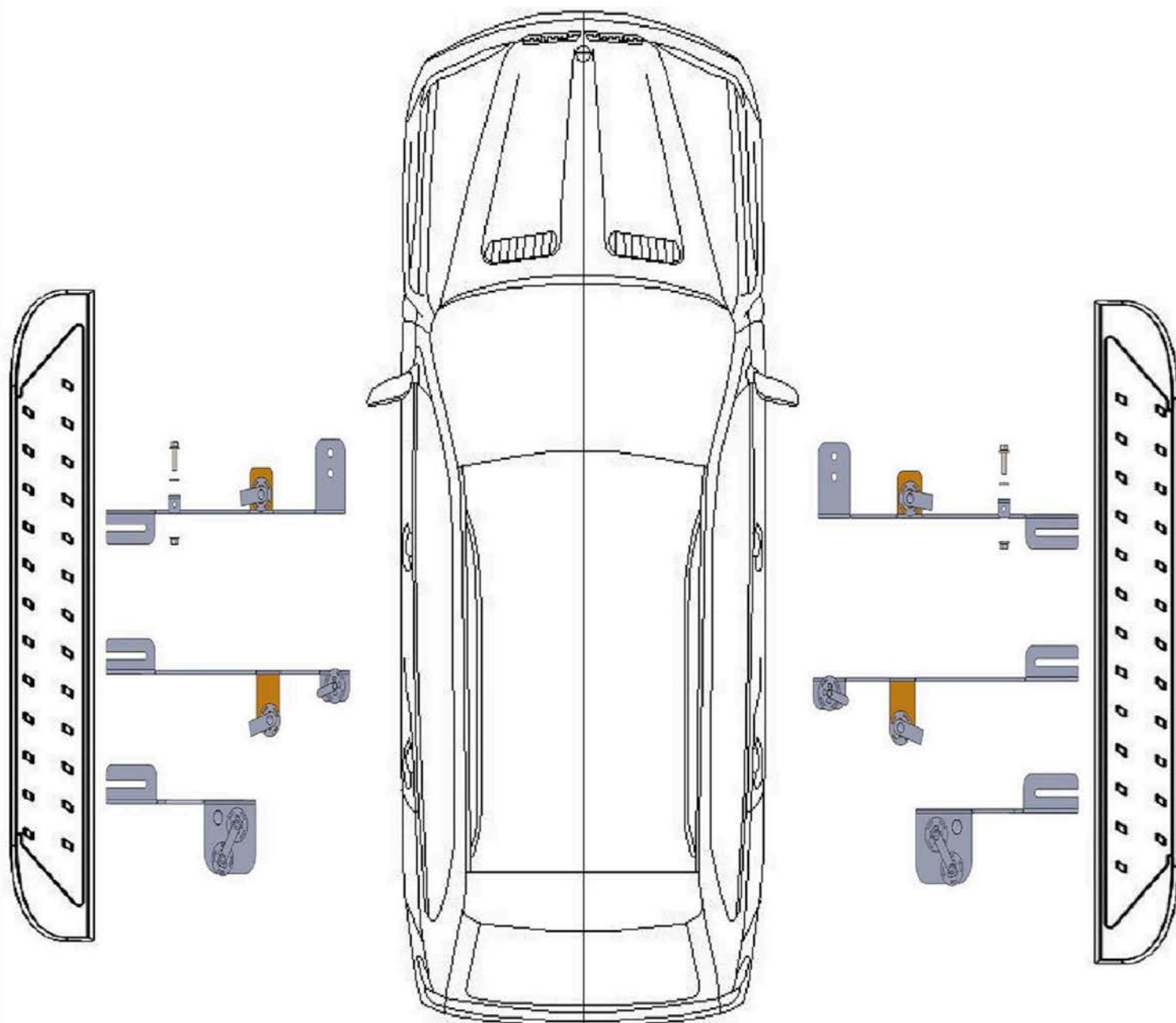
- 1) Locate middle mounting area and remove rubber plugs.
- 2) Install HTC 230 with foam pad and HTC 226 with HTC 269 and HTC 271 as shown on image #1, #2 and #3.
- 3) Install front bracket as shown on image #4.
- 4) Do not tighten anything yet and proceed to the rear bracket area.



- 1) Locate rear mounting area and remove rubber plugs.
- 2) Install M8 OV bolt with wire and HTC 271 as shown on image #1, #2 and #3.
- 3) Install HTC 302 with HTC 269 as shown on image #4 and #5.
- 4) Install front brackets as shown on image #6.
- 5) Proceed to loosen M8 hardware on back of steps and install on brackets hand tight only
- 6) Proceed to tighten bracket hardware M10 to 35 ft lbs M8 to 18 ft lbs
- 7) Proceed to tighten step hardware M8 to 18 ft lbs
- 8) Repeat procedure on opposite side

3227 - NISSAN ROUGE 2014-PRESENT

Note: Use of powertools will damage products and void your warranty.



ATTENTION PLEASE! : DO NOT TIGHTEN ALL OF THE SCREWS UNTIL ALL OF THE PARTS ARE INSTALLED.

Keep your Romik accesories clean. To prevent corrsion and to maintain your high quality finish, wax or polish regulary with quality stainless polish. Use a non abrasive type automotive wax. Any use of abrasive soaps, polishes or waxes can be detrimental to the finish.

On our website you'll find a wide variety of high-quality Running Boards & Step Bars from Romik.