



2620 Jeep Wrangler 2007-Present

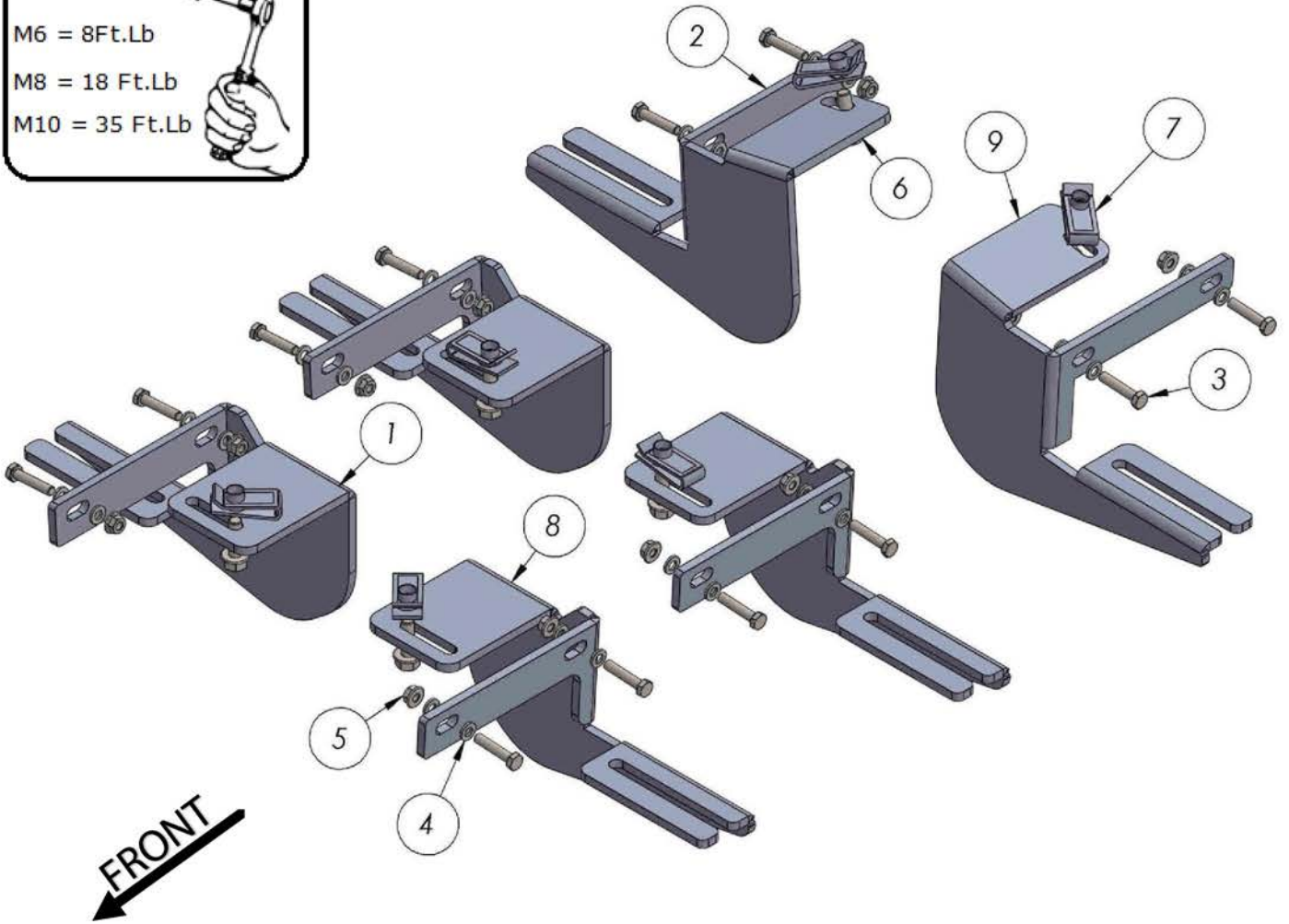
Installation Instructions



60 Minutes

NOTE: Before starting this installation makes sure that all hardware matches these instructions.

M6 = 8Ft.Lb
M8 = 18 Ft.Lb
M10 = 35 Ft.Lb



Note: Use of powertools will damage products and void your warranty.

ITEM	PART NUMBER	QTY
1	2620850FC0 PASSENGER	2
2	2620850B0 PASSENGER	1
3	DIN 933 BOLT - M6 x 30	12
4	DIN 125 WASHER - M6	24
5	DIN 6923 FLANGE NUT - M6	12
6	DIN 6921 FLANGE BOLT - M8 x 25	6
7	M8 U-NUT	6
8	2620850FC0 DRIVER	2
9	2620850B0 DRIVER	1

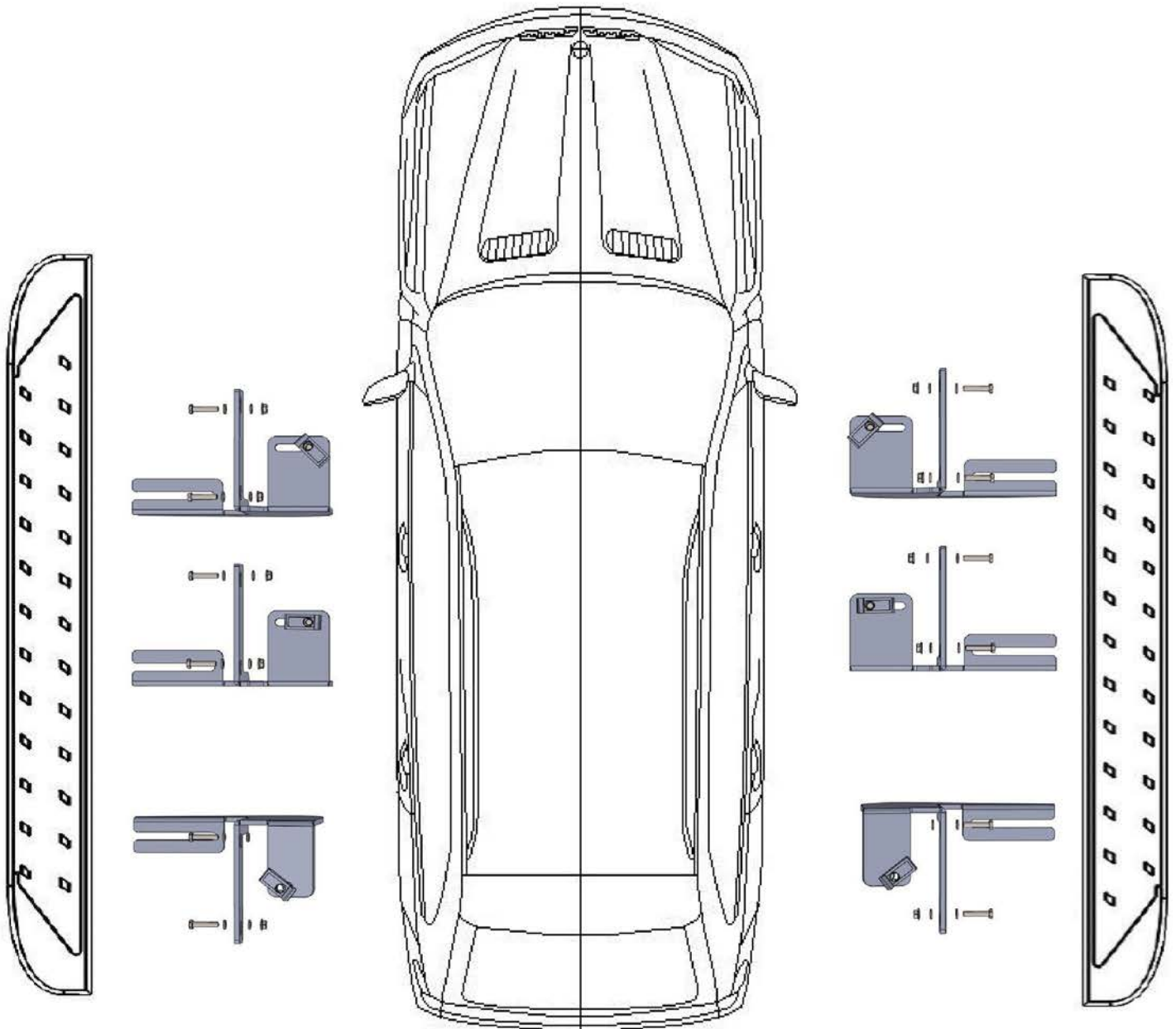




- 1) Locate front mounting area. #1 and #2.
- 2) Install M8 U-NUT if there is not nut on the vehicle's chassis.
- 3) Install bracket with M8x25 and M6x30 bolt as shown on image #3 and #4.
- 4) Tighten brackets hardware M8 to 18 ft lbs and M6 to 8 ft lbs. **WARNING:** Do not use powertools.
- 5) Repeat procedure on opposite side and the other brackets.
- 6) Do not tighten anything yet.

2620 - JEEP WRANGLER 2007 +

Note: Use of powertools will damage products and void your warranty.



ATTENTION PLEASE! : DO NOT TIGHTEN ALL OF THE SCREWS UNTIL ALL OF THE PARTS ARE INSTALLED.

Keep your Romik accessories clean. To prevent corrosion and to maintain your high quality finish, wax or polish regularly with quality stainless polish. Use a non abrasive type automotive wax. Any use of abrasive soaps, polishes or waxes can be detrimental to the finish.

On our website you'll find a wide variety of high-quality [Running Boards & Step Bars](#) from [Romik](#).