



2219 Honda Ridgeline 2017-Present

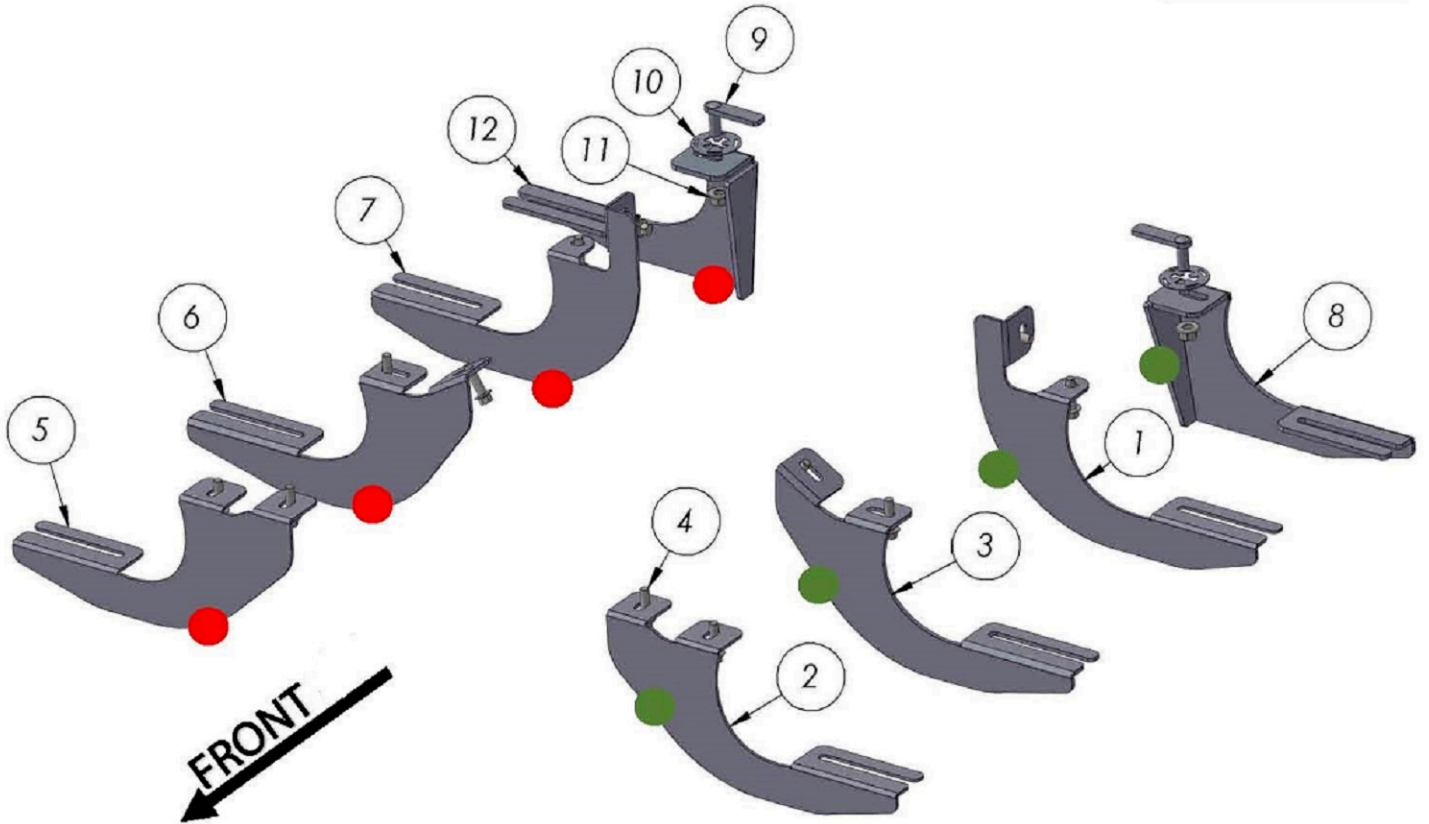
2219 Honda Pilot 2016+ / Acura MDX 2014+

Installation Instructions

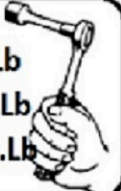
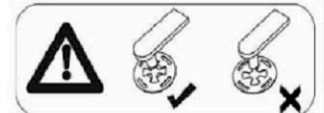


60 Minutes

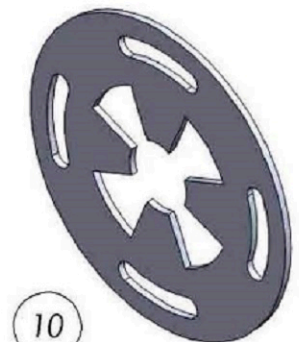
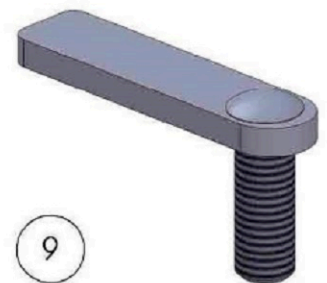
2219 Honda Ridgeline 2017 - Present



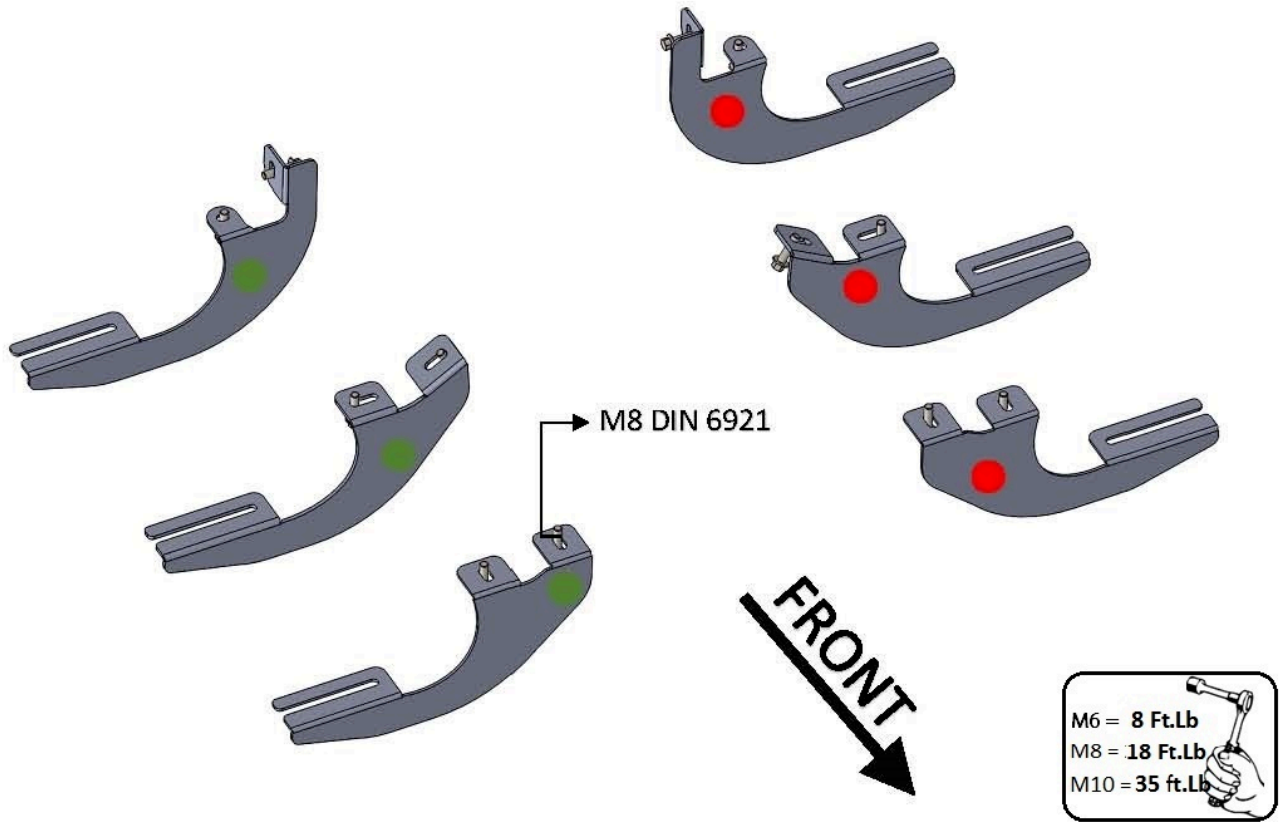
M6 = 8 Ft.Lb
M8 = 18 Ft.Lb
M10 = 35 ft.Lb

| ITEM/NO | PART NAME | QTY |
|---------|--------------------------------|-----|
| 1 | THIRTH BRACKET DRIVER | 1 |
| 2 | FIRST BRACKET DRIVER | 1 |
| 3 | SECOND BRACKET DRIVER | 1 |
| 4 | DIN 6921 FLANGE BOLT - M8 x 30 | 12 |
| 5 | FIRST BRACKET PASSENGER | 1 |
| 6 | SECOND BRACKET PASSENGER | 1 |
| 7 | THIRTH BRACKET PASSENGER | 1 |
| 8 | FOURTH BRACKET DRIVER | 1 |
| 9 | HTC 243 - M10X30 (5X15X60) | 2 |
| 10 | HTC 269 - CLIPS (M10) | 2 |
| 11 | DIN 6923 FLANGE NUT - M10 | 2 |
| 12 | FOURTH BRACKET PASSENGER | 1 |



2219 Honda Pilot 2016+ / Acura MDX 2014+



HARDWARE

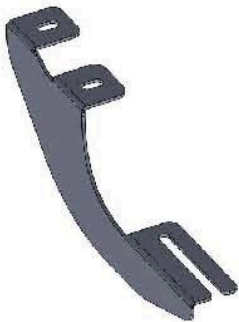
12



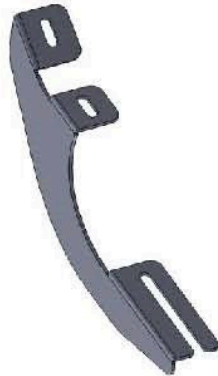
M8x30
FLANGE

WARNING: Use of powertools will void warranty.

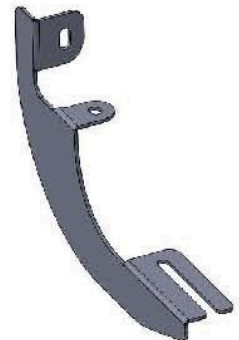
BRACKETS



(x2)



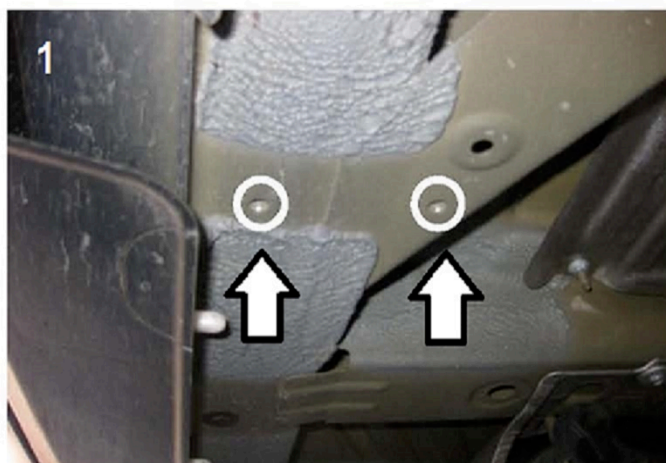
(x2)



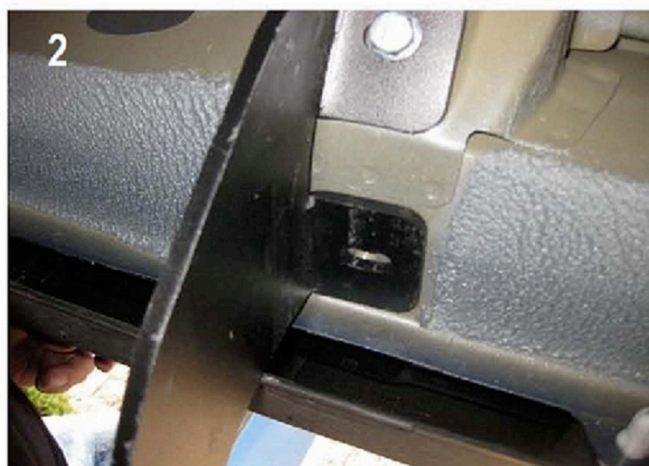
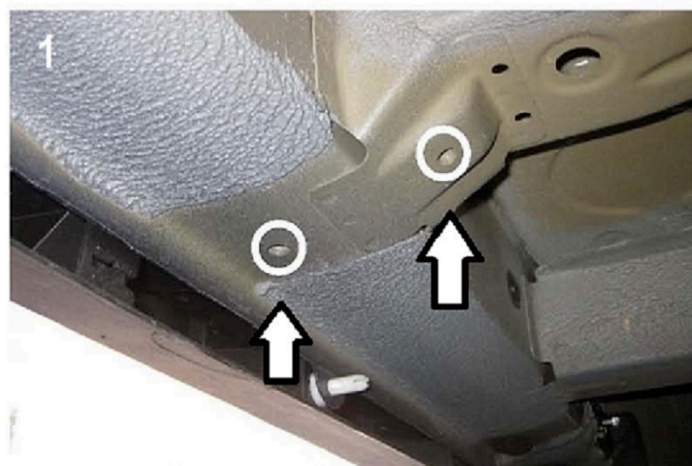
(x2)



WARNING: Use of powertools will void warranty



- 1) Locate front bracket mounting area image #1
- 2) Install front bracket with supplied M8 hardware, do not tighten
- 3) Proceed to middle bracket



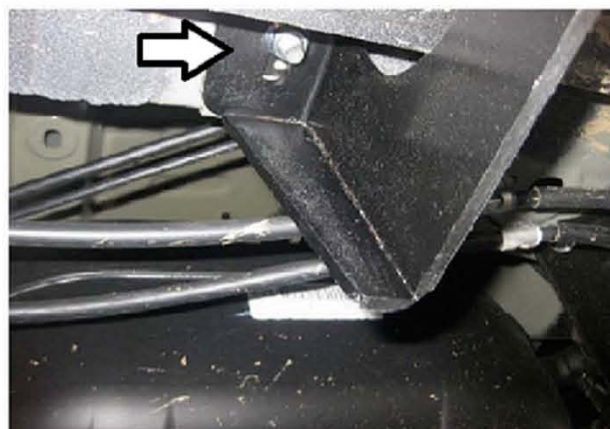
- 1) Locate middle bracket mounting area image #1
- 2) Install middle bracket with supplied M8 hardware, do not tighten
- 3) Proceed to next bracket



- 1) Locate rear bracket (3rd) mounting area image #1
- 2) Install rear (3rd) bracket with supplied M8 hardware, do not tighten
- 3) Proceed to last bracket



Final Step for Ridgeline only



- 1) Locate rear bracket mounting area image #1
- 2) Remove factory rubber plug as shown on image #1
- 3) Insert HTC 243 with HTC 269
- 4) Install rear bracket with supplied M10 hardware, do not tighten
- 5) Loosen M8 hardware on back of steps
- 6) Proceed to tighten bracket hardware M8 to 18 ft lbs and M10 to 35 ft lbs
- 7) Proceed to tighten step hardware M8 to 18 ft lbs
- 8) Repeat procedure on opposite side

For technical support please call 1-866-71-ROMIK

WARNING: Use of power tools will void warranty

