



3927 - TOYOTA RAV4 2013-PRESENT

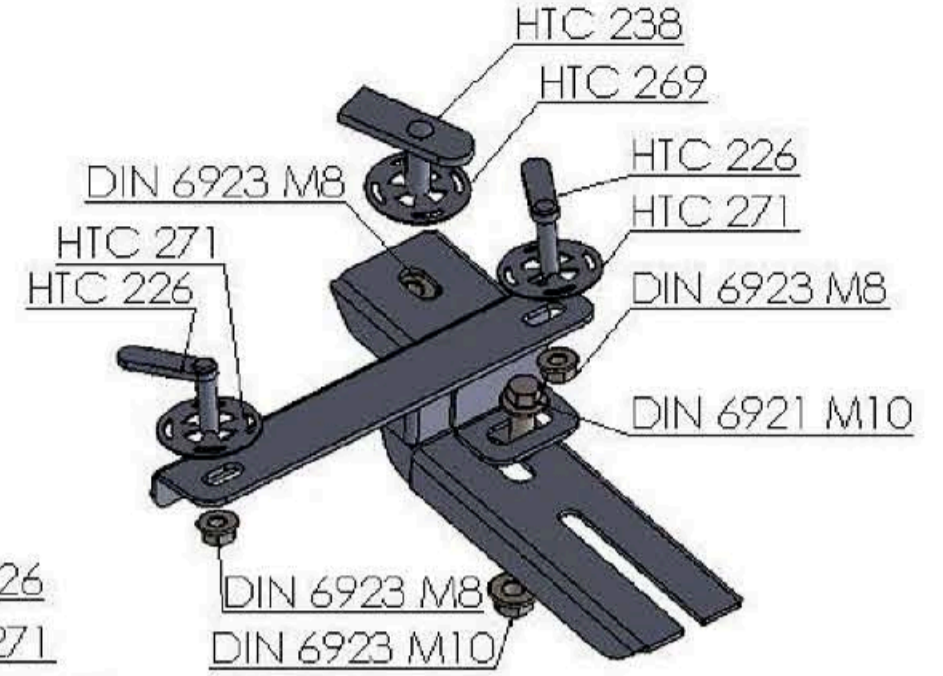
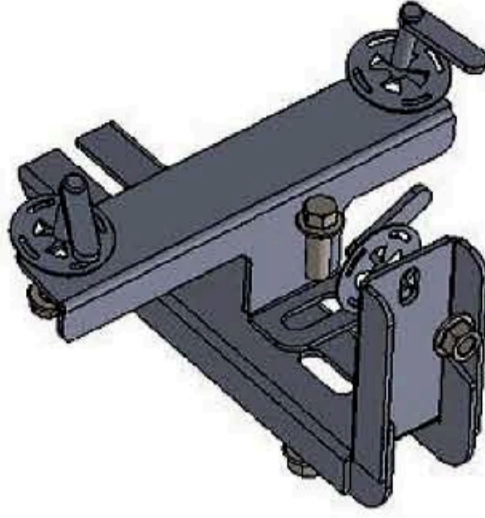
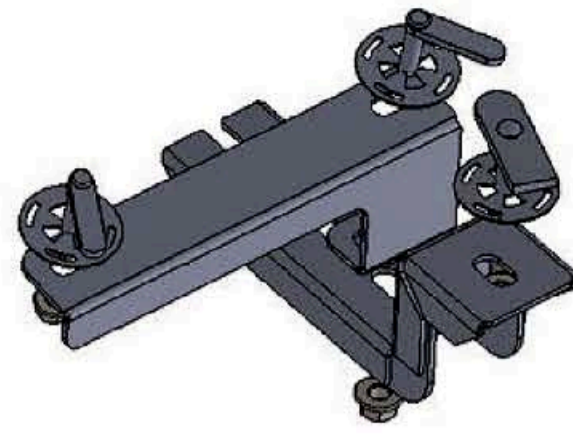
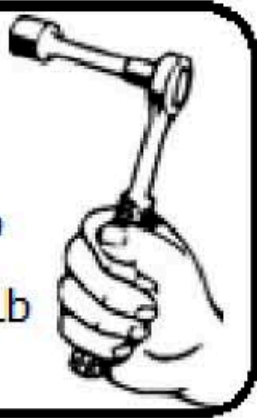
Installation Instructions



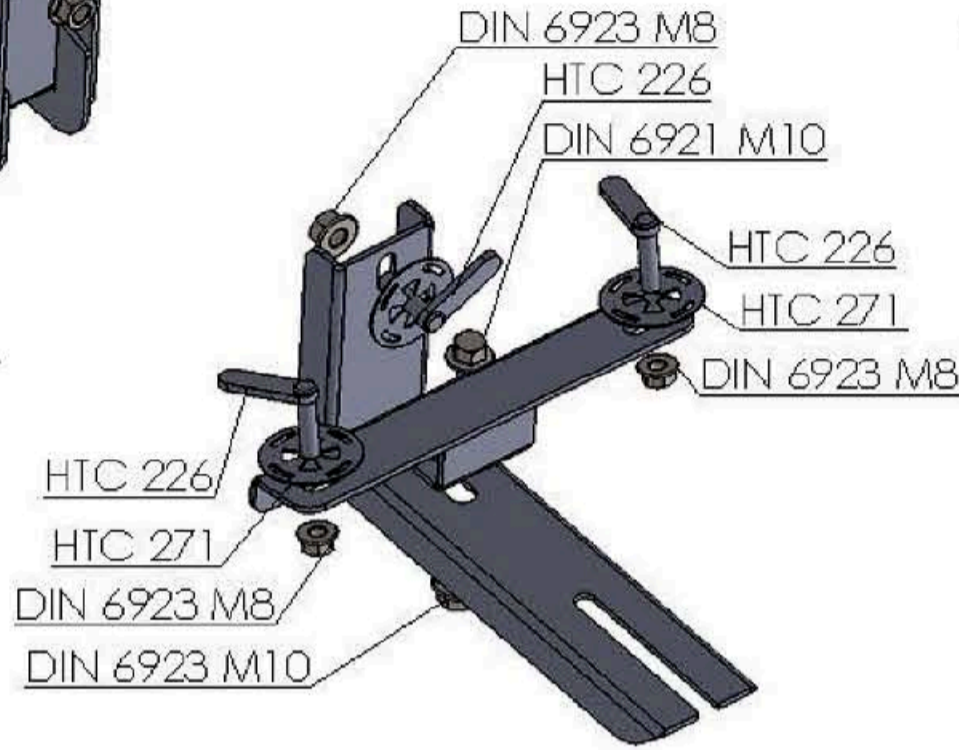
75 Min.

NOTE: Before starting this installation makes sure that all hardware matches these instructions.

M6 = 8Ft.Lb
 M8 = 18 Ft.Lb
 M10 = 35 Ft.Lb



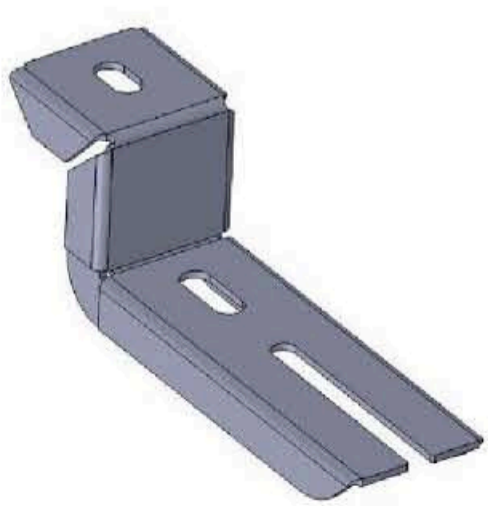
FRONT



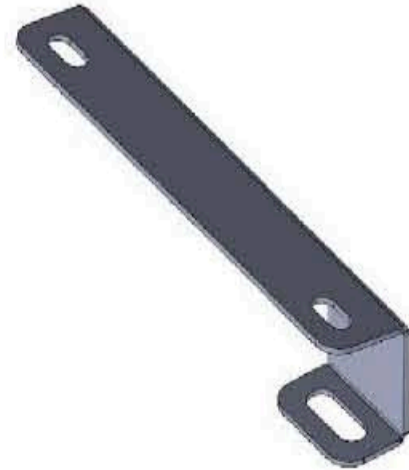
HARDWARE

2		HTC 238 - M10x30(4x20x60)	2		HTC 269 KLIPS (M10)	6		FLANGE NUT DIN 6923 (M10)
10		HTC 226 - M8X30 (4x10x37)	10		HTC 271 KLIPS (M8)	10		FLANGE NUT DIN 6923 (M8)
4		FLANGE BOLT DIN 6921 M10x30						

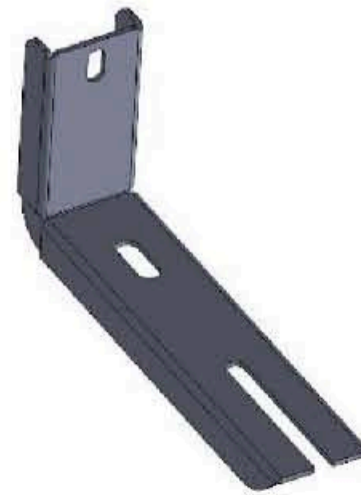
BRACKETS



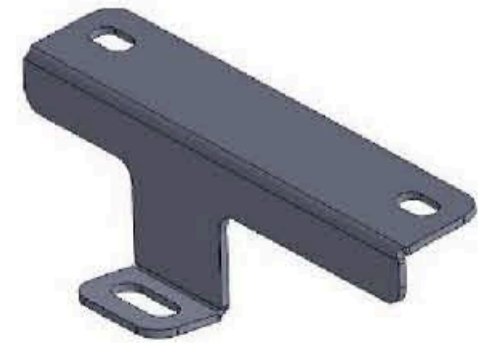
(x2)



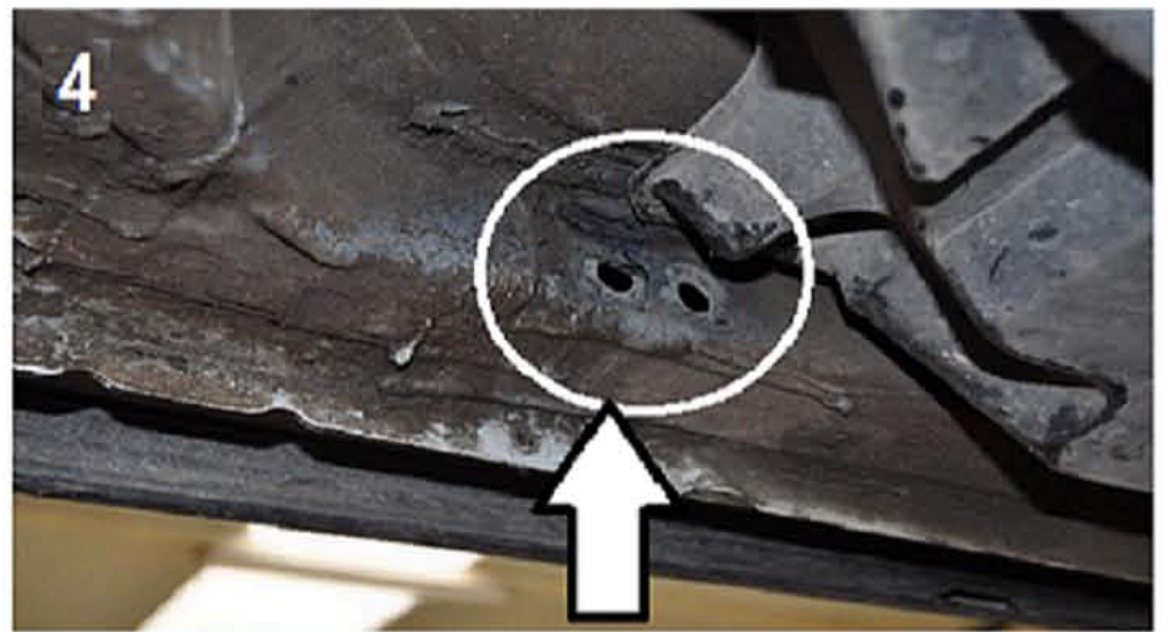
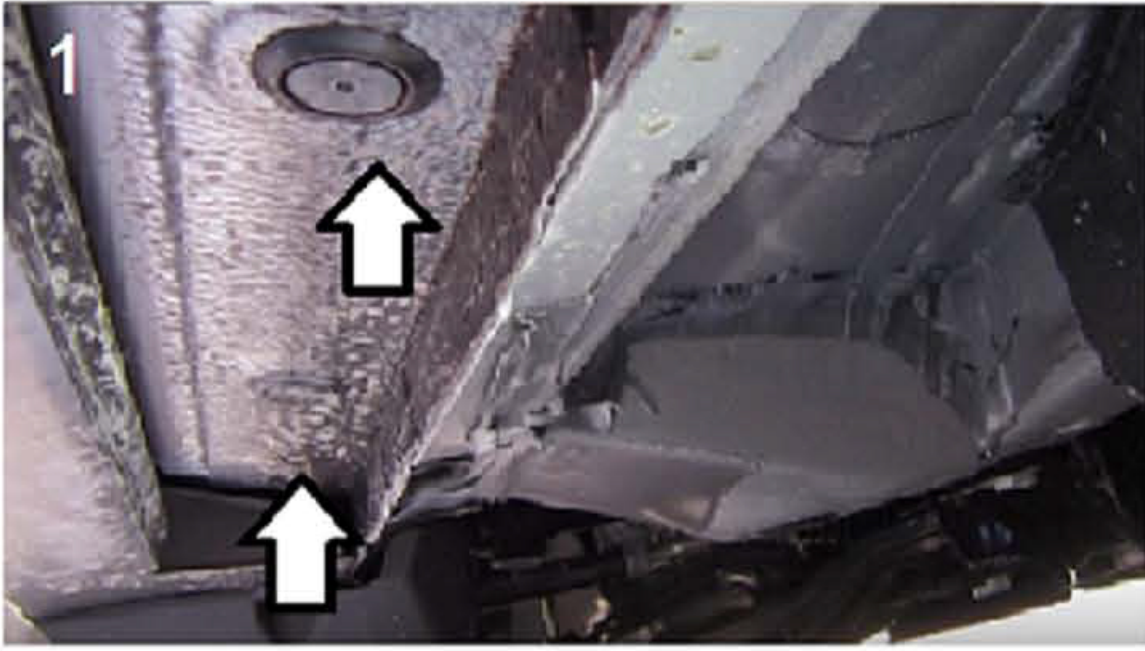
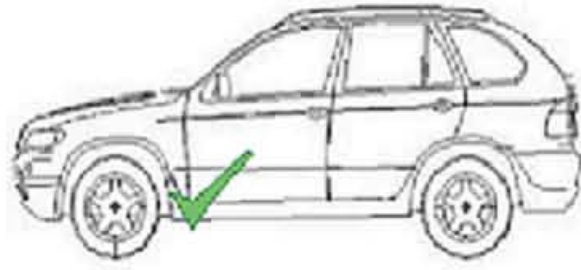
(x2)



(x2)

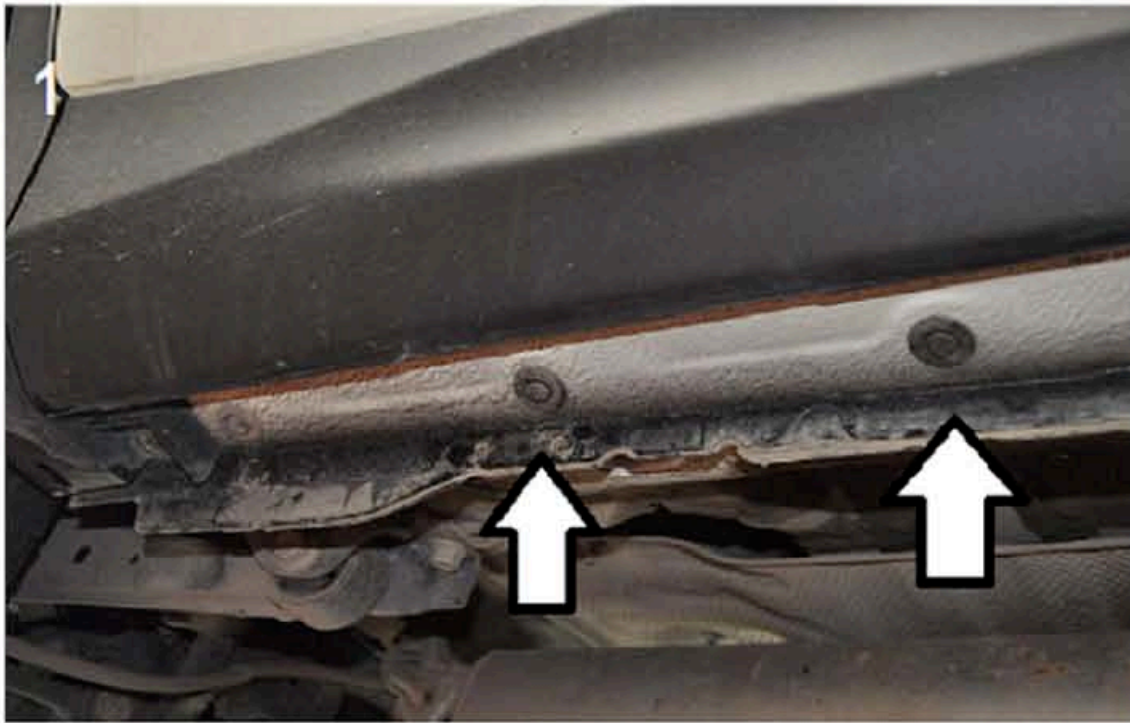


(x2)



- 1) Locate front mounting points as shown on image #1
- 2) Remove factory rubber plugs and insert HTC 226 with HTC 271 as shown on image #2
- 3) Locate front main support area, note this is covered with a rubberized tape that must be removed to expose both (2) holes Image #3 and Image #4
- 4) Install HTC 226 with HTC 271 on first hole (hole closer to the tire) image #5
- 5) Install front main bracket do not tighten yet
- 6) Install extra support and attach to main bracket using provided M10 hardware do not tighten image #6

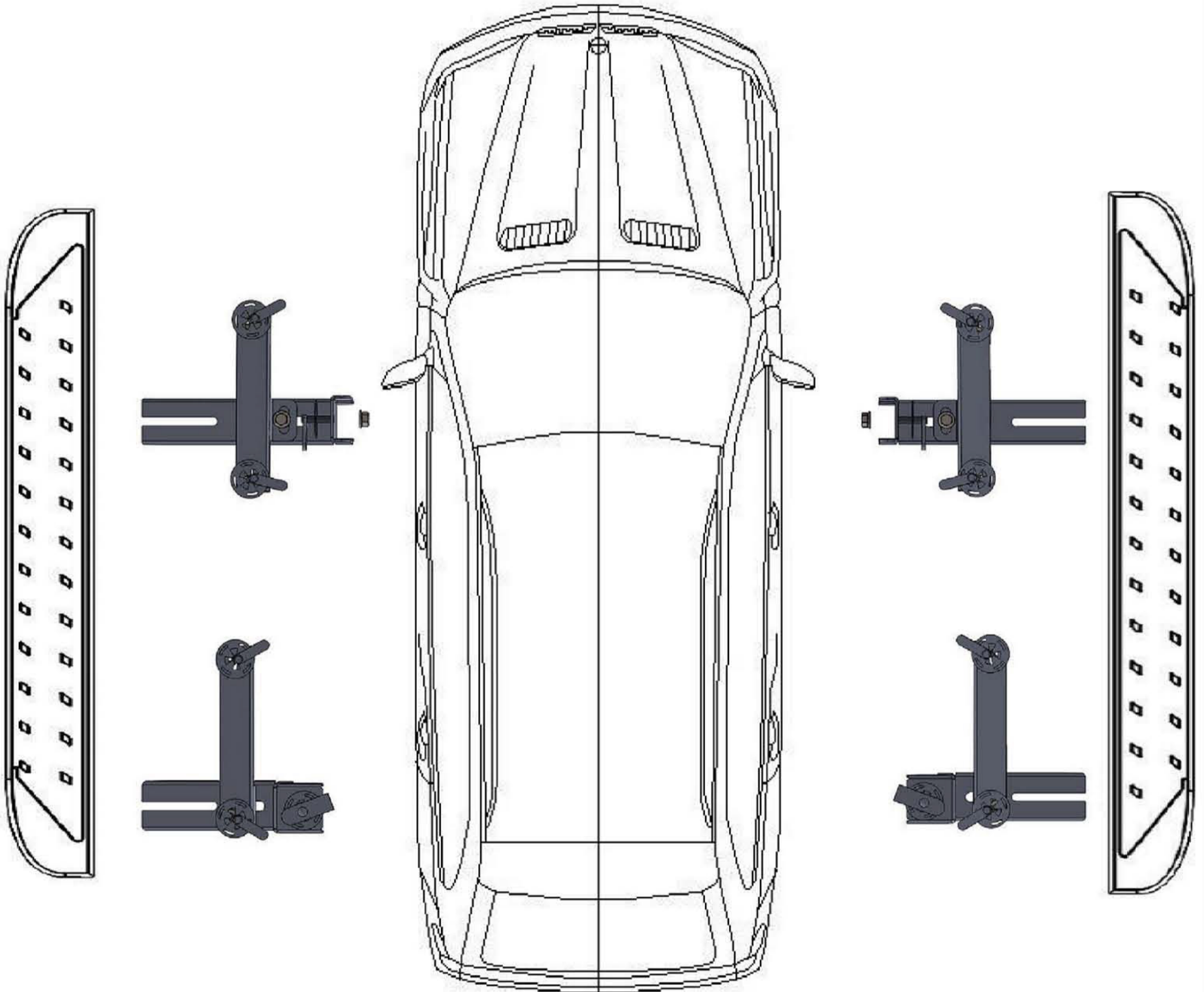
Proceed to rear bracket area



- 1) Locate rear mounting area image #1 and remove factory rubber plugs
- 2) Install HTC 226 with HTC 271 as shown on image #2
- 3) Locate rear main bracket area image #3 remove rubber plug if necessary
- 4) Install HTC 238 with HTC 269 as shown on image #4
- 5) Attach rear bracket as shown on image #5 do not tighten
- 6) Attach extra support bracket as shown on image #6 do not tighten
- 7) Loosen M8 hardware on back of steps
- 8) Attach steps to brackets hand tight only
- 9) Proceed to tighten M10 hardware to 35 ft lbs and M8 to 18 ft lbs on all brackets
- 10) Proceed to tighten M8 hardware on steps to 18 ft lbs do not over tighten as it may damage steps. Repeat procedure on opposite side.

3927 - TOYOTA RAV4 2013-PRESENT

Note: Use of powertools will damage the product and void your warranty.



ATTENTION PLEASE! : DO NOT TIGHTEN ALL OF THE SCREWS UNTIL ALL OF THE PARTS ARE INSTALLED.

Keep your Romik accesories clean. To prevent corrsion and to mantain your high quality finish, wax or polish regulary with quality stainless polish. Use a non abrasive type automotive wax. Any use of abrasive soaps, polishes or waxes can be detrimental to the finish.