




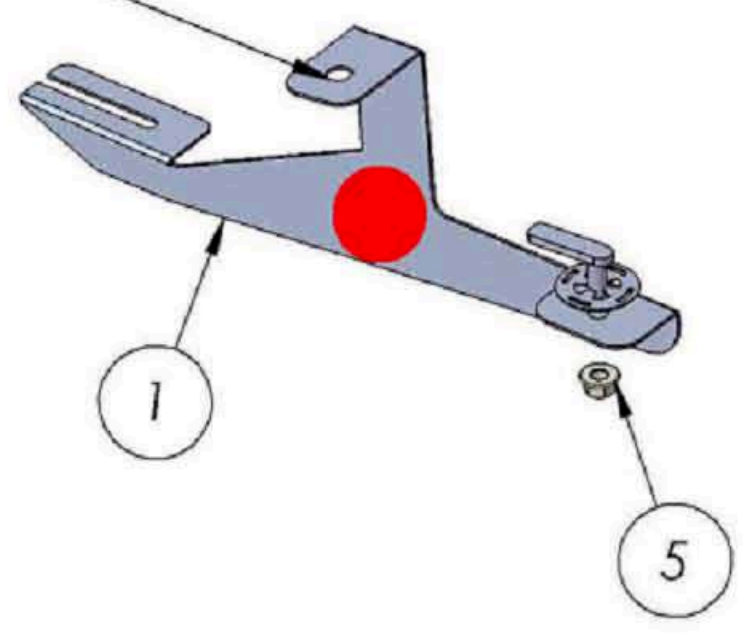
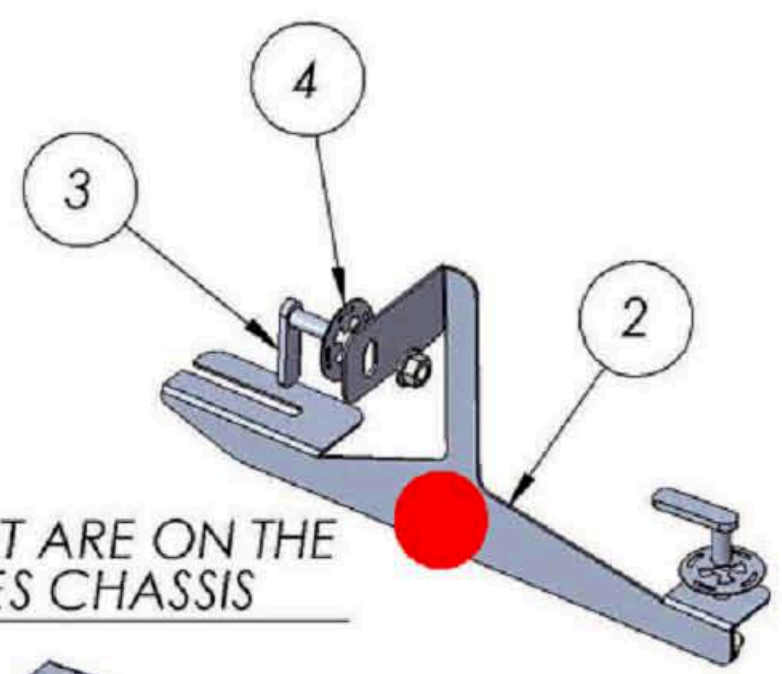
2811 Land Rover LR3 / LR4 2005-2016

Installation Instructions

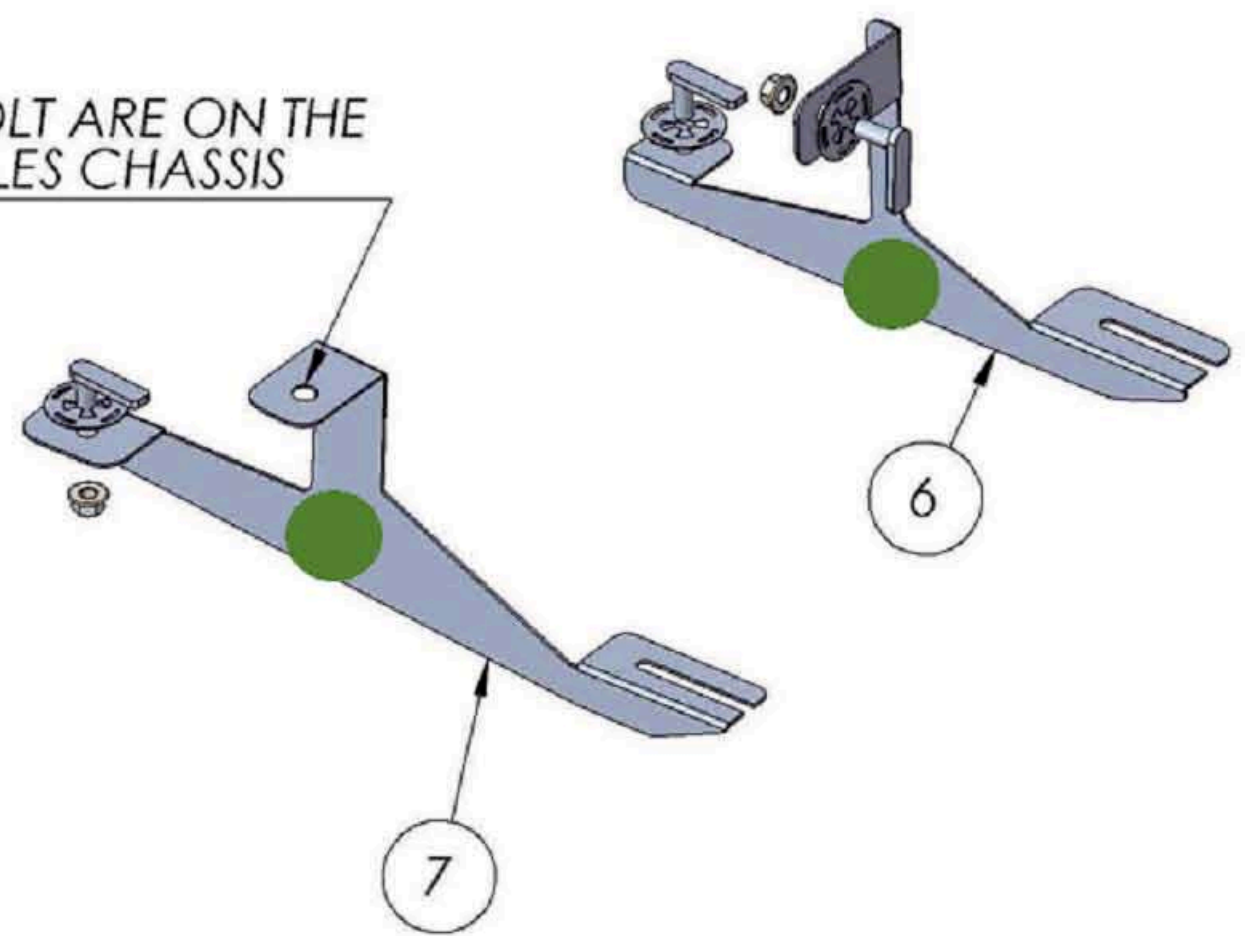


60 Minutes

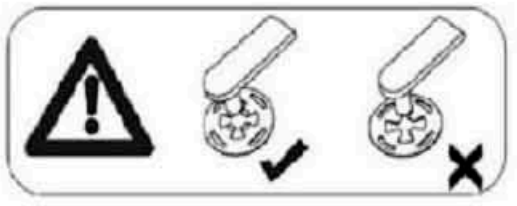
M6 = 8 Ft.Lb
M8 = 18 Ft.Lb
M10 = 35 ft.Lb

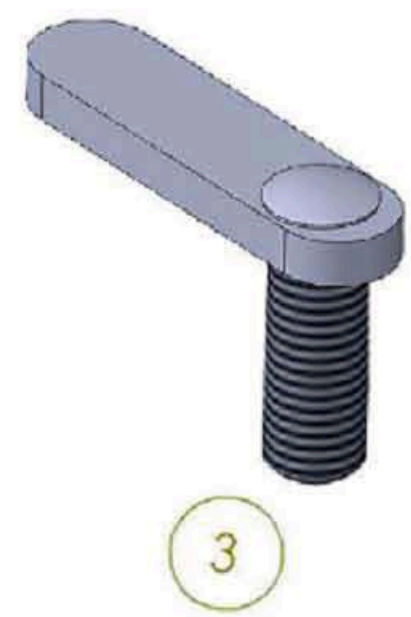
THE BOLT ARE ON THE VEHICLES CHASSIS



FRONT



ITEM	PART NAME	QTY
1	2811850F0 PASSENGER	1
2	28111B0 PASSENGER	1
3	HTC 243 - M10x25(5x13x50)	6
4	HTC 269 CLIPS (M10)	6
5	DIN 6923 FLANGE NUT M10	6
6	28111B0 DRIVER	1
7	2811850F0 DRIVER	1



NOTE: If your vehicle is equipped with rear AC these products will not fit



- 1) Locate front mounting area as shown on image #1
- 2) Insert HTC 243 with HTC 239 as shown on image #2
- 3) Remove factory body bushing as shown on image #2
- 4) Install front bracket onto body bushing hardware as shown on image #3
- 5) Attach factory body bushing and front bracket as shown on image #4 do not tighten

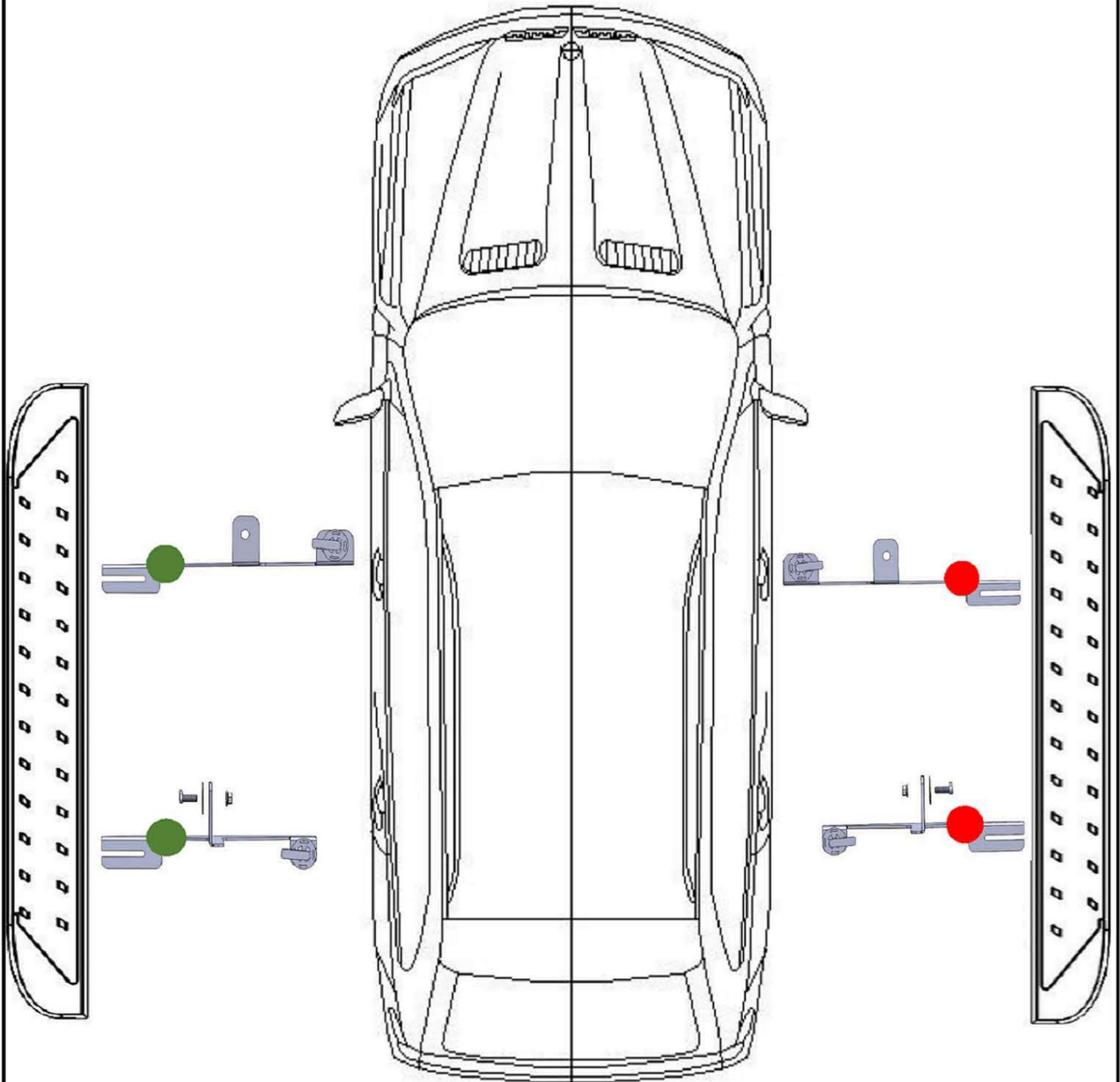
NOTE: If your vehicle is equipped with rear AC these products will not fit



- 1) Locate rear mounting location as shown on image #1
- 2) Insert HTC 243 with HTC 239 as shown on image #1 and #2
- 3) Attach rear bracket as shown on image #3 and #4 do not tighten
- 4) Loosen M8 hardware on back of steps
- 5) Install steps onto brackets hand tight only
- 6) Proceed to tighten bracket hardware M10 to 35 ft lbs and M8 to 18 ft lbs
- 7) Proceed to tighten M8 hardware on steps to 18 ft lbs do not over tighten as it will damage the aluminum
- 8) Repeat procedure on opposite side.

NOTE: If your vehicle is equipped with rear AC these products will not fit.

2811 - LAND ROVER DISCOVERY4 2005 - PRESENT



ATTENTION PLEASE! : DO NOT TIGHTEN ALL OF THE SCREWS UNTIL ALL OF THE PARTS ARE INSTALLED.

Keep your Romik accesories clean. To prevent corrsion and to maintain your high quality finish, wax or polish regularly with quality stainless polish. Use a non abrasive type automotive wax. Any use of abrasive soaps, polishes or waxes can be detrimental to the finish.