



INSTALLATION GUIDE  
CARGO MANAGER®



# HARDWARE & COMPONENTS INCLUDED



x 9 pieces  
#10-24 X 1/2" Truss Head  
Screw, for attachment of  
Tram Plate assembly and  
attachment of Tracks to RNL  
Tracks



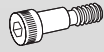
x 8 pieces  
Threaded Tangs (cargo nuts),  
for attachment of Tracks to  
RNL Tracks



x 1 piece  
#10-24 Hex Nut, used for  
Tram Plate assembly



x 1 piece  
Delrin wheel, for Tram Plate  
assembly



x 1 piece  
5/16" x 3/8" SS Shoulder  
Bolt, for Tram Plate assembly



x 1 piece  
1/4-20 Lock Nut, used for  
Tram Plate assembly



x 1 piece  
#10 Lock Washer, used for  
Tram Plate assembly



x 2 pieces  
Tork Head Screws, used for  
Tram Plate assembly



x 1 pieces  
#6 x 3/8" Truss Head Screw,  
to secure Driver Side Stem



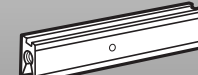
x 1 piece  
Allen key, used for Tram Plate  
assembly



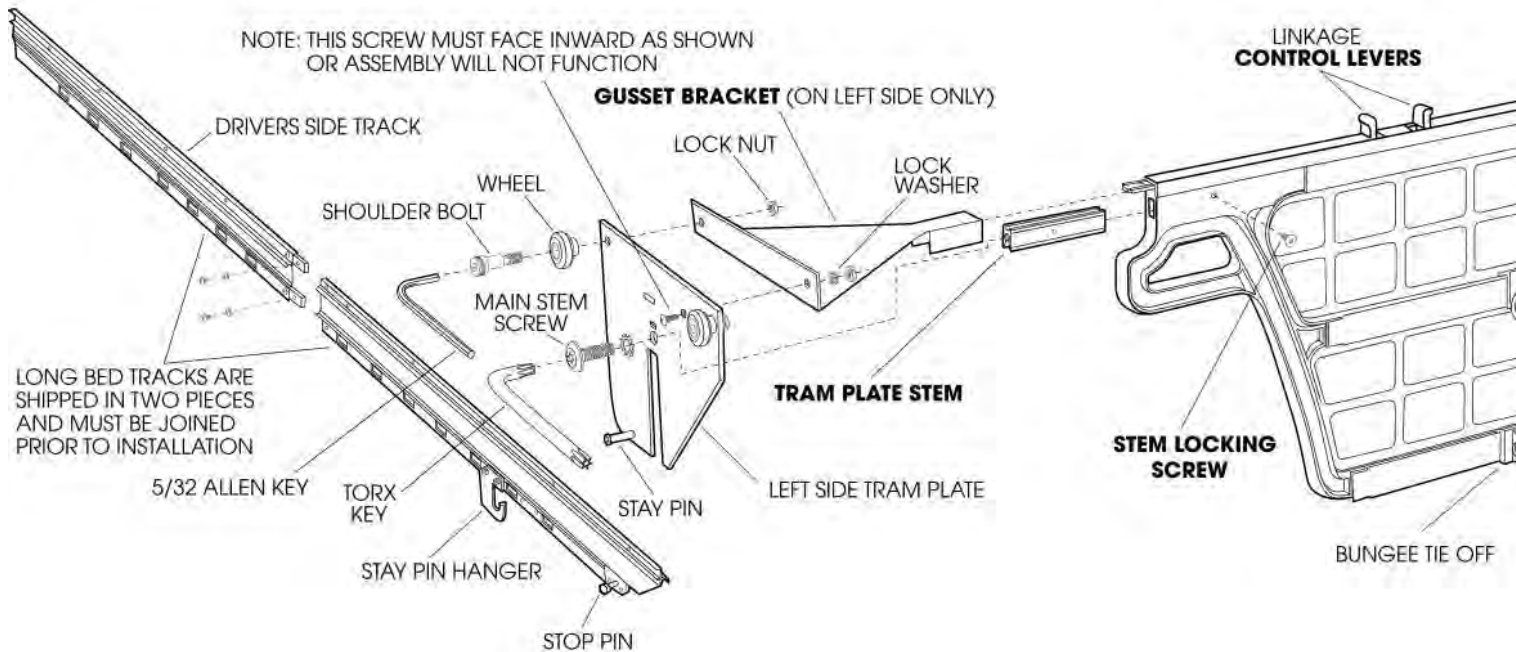
x 1 piece  
Torx key, used for Tram Plate  
assembly



x 2 pieces  
Star , for Tram Plate  
assembly



x 2 pieces  
(Driver / Passenger side  
Stem, used for Tram Plate  
assembly)



## STEP 1: ATTACH THE CARGO MANAGER TRACKS

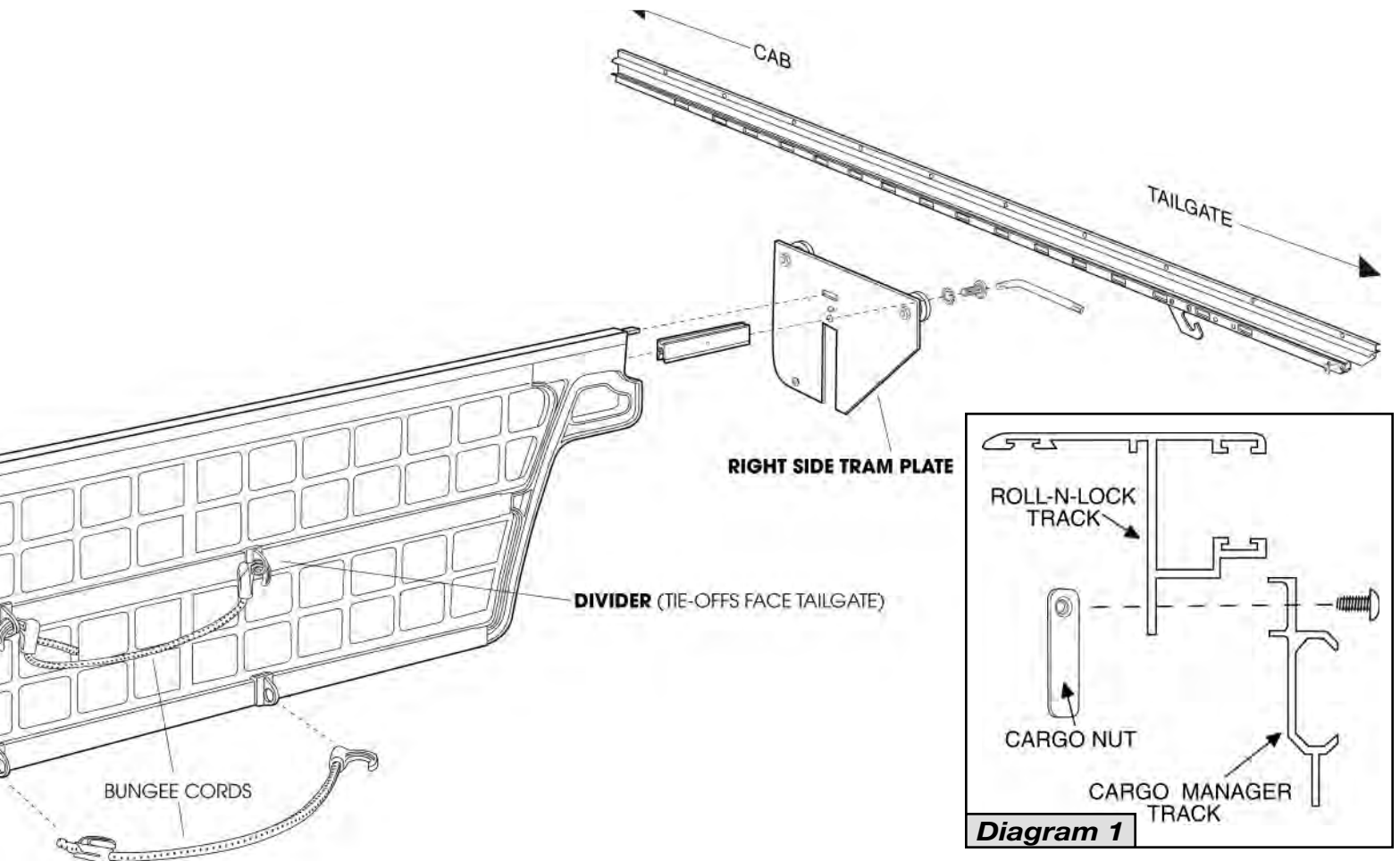
**A.** Attach the Cargo Manager Tracks to the Roll-N-Lock Tracks (*Diagram 1, next page*). **Note: The Roll-N-Lock unit must be installed first.** Check Roll-N-Lock Tracks for straightness before attaching Cargo Manager Tracks. Position the Cargo Manager Tracks with the specially machined end toward the tailgate and the straight cut end approximately 1/2" from the Roll-N-Lock Housing. When correctly positioned, the holes in both the Cargo Manager and the Roll-N-Lock Tracks will align. Place an attaching screw (#10-24 x 1/2" truss head screws) in the first available hole at each end of the Track and equally space the two remaining screws in the holes available.



# IMPORTANT INFORMATION FOR "RIGHT SIDE STEERING TRUCKS"

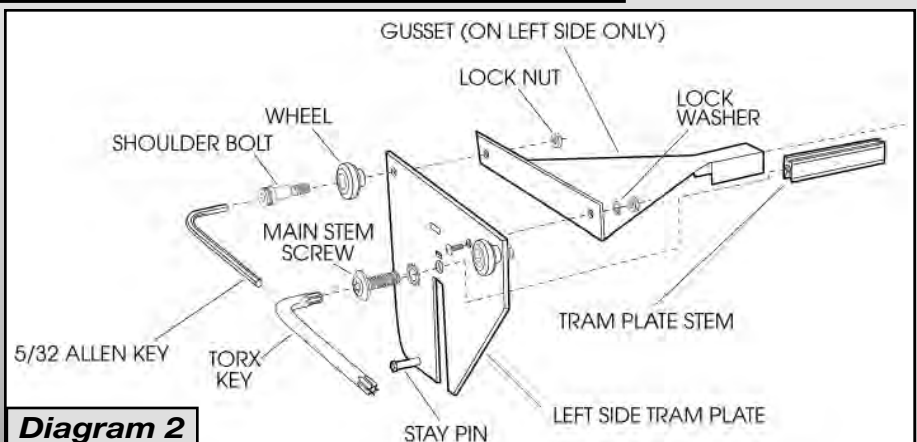
All assembly details shown herein are for "Left Side Steering" trucks. If you are doing an install on a "Right Side Steering" truck, the following components in Diagrams 2 & 3 should be assembled opposite of the way they are shown in these diagrams.

- I. The "Divider" should be reversed with the **Control Levers** on the **right side**, not the left as shown.
- II. The "Gusset Bracket" should be attached to the **Right Side Tram Plate**, not the left as shown.
- III. The "Stem Locking Screw" should secure the **Right Side Tram Plate Stem**, not the left as shown.



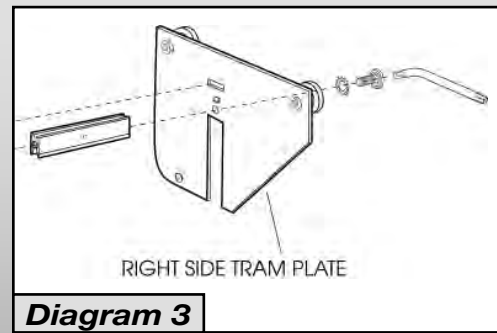
## STEP 2: ASSEMBLE THE TRAM PLATES

- A. Assemble the driver's side Tram Plate. (*Diagram 2*).



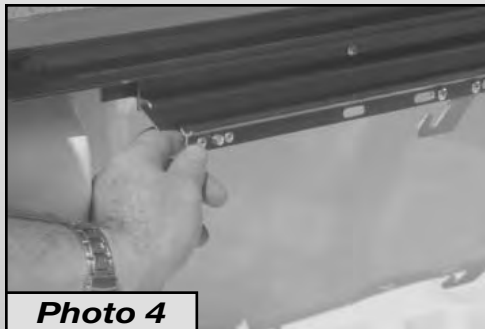
## STEP 2: ASSEMBLE THE TRAM PLATES (CONTINUED)

- B.** Assemble the passenger's side Tram Plate (*Diagram 3*).
- C.** Slide the Tram Plates onto the ends of the Cargo Manager Divider and secure the stem locking screw on the driver's side, being sure that the screw enters the hole in the stem.
- Note: Do not place the screw in the passenger's side.**



## STEP 3: INSTALL THE ASSEMBLED CARGO MANAGER

- A.** Install the assembled Cargo Manager divider into the Tracks. To do so requires that you press the Track Stop Pins



outboard to permit the wheels to enter the Tracks (*Photo 4*). Next, maneuver the Cargo Manager Divider around the back bed posts and rotate the Divider to insert the lead wheel on each side (*Photo 5*). With the lead wheels in place, squeeze the Linkage Control Levers to retract the linkage and rotate the Divider to the vertical position, then align and insert rear wheels. With the wheels in place, press the Track Stop Pins inboard to prevent the wheels from leaving the Tracks.

## STEP 4: TESTING THE CARGO MANAGER.

- A.** Squeeze and hold the Linkage Control Levers and the Cargo Manager Divider should glide effortlessly along the Tracks. When levers are released, the linkage should snap into the first available location slots in the direction you are traveling. If the Divider was assembled correctly and does not function as described, the problem is not the Cargo Manager, it is incorrect alignment of the Roll-N-Lock Tracks as mentioned in Step One. For Cargo Manager to function correctly, the Roll-N-Lock Tracks must not pitch downward or be out of parallel. **Note: It is not necessary to lubricate the Tracks.** Cargo Manager is designed to function effortlessly without lubrication.