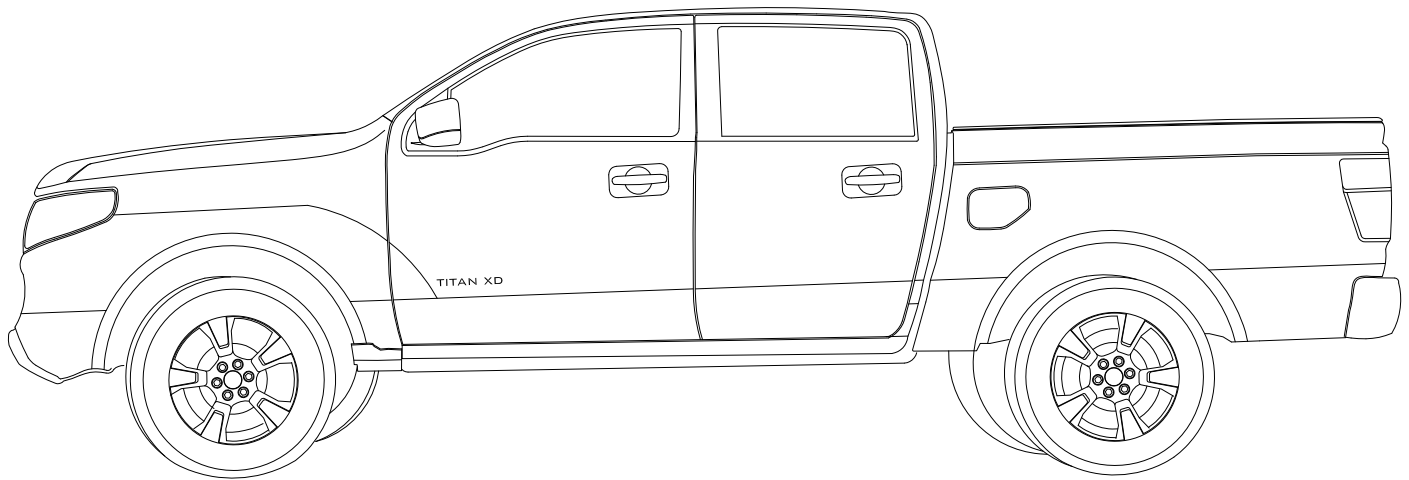




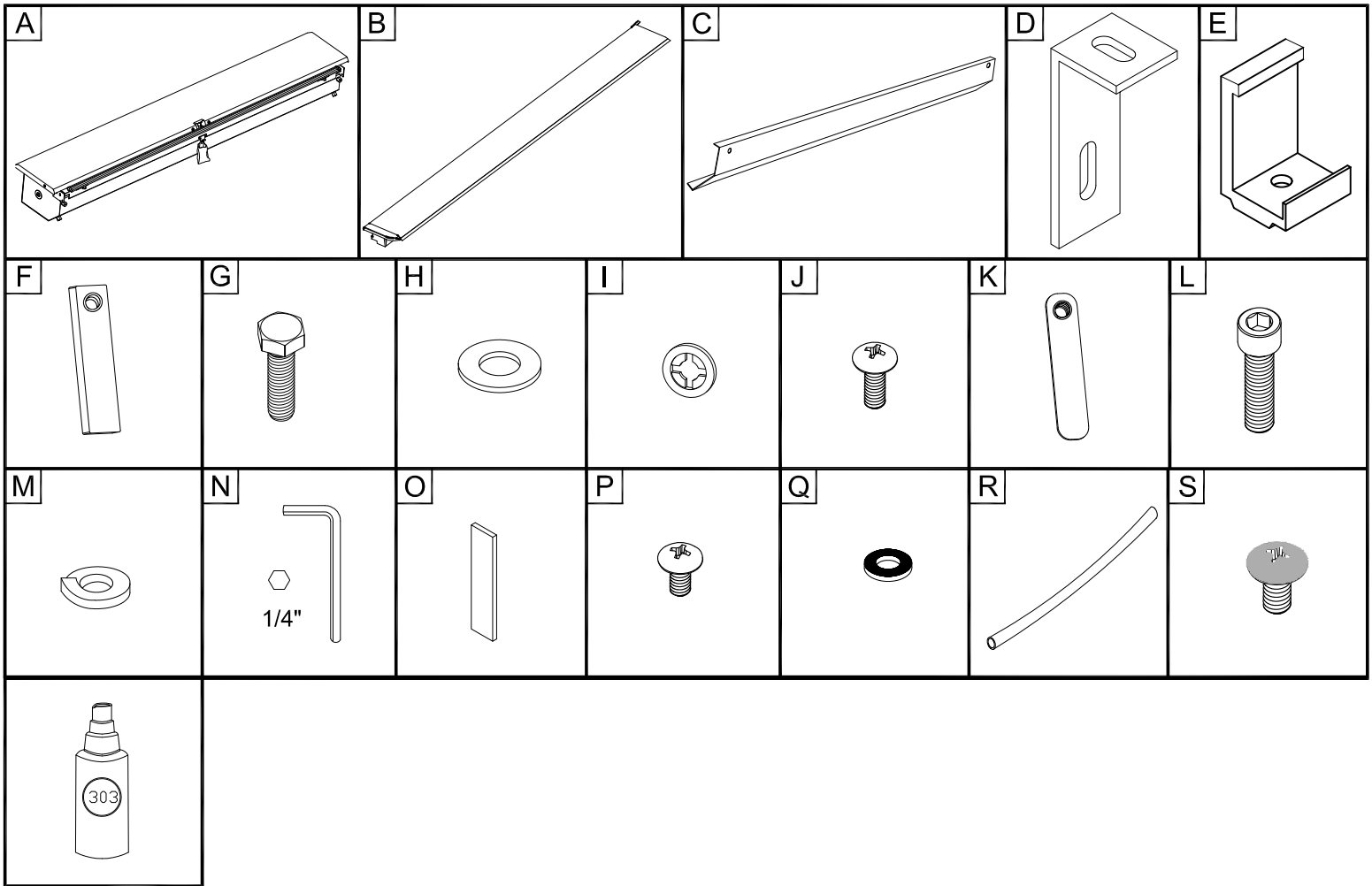
# Installation Guide 2016 Nissan Titan



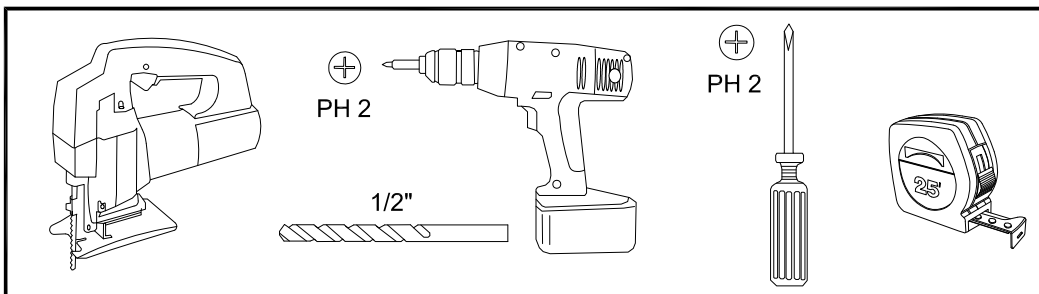
Product Code  
880-881

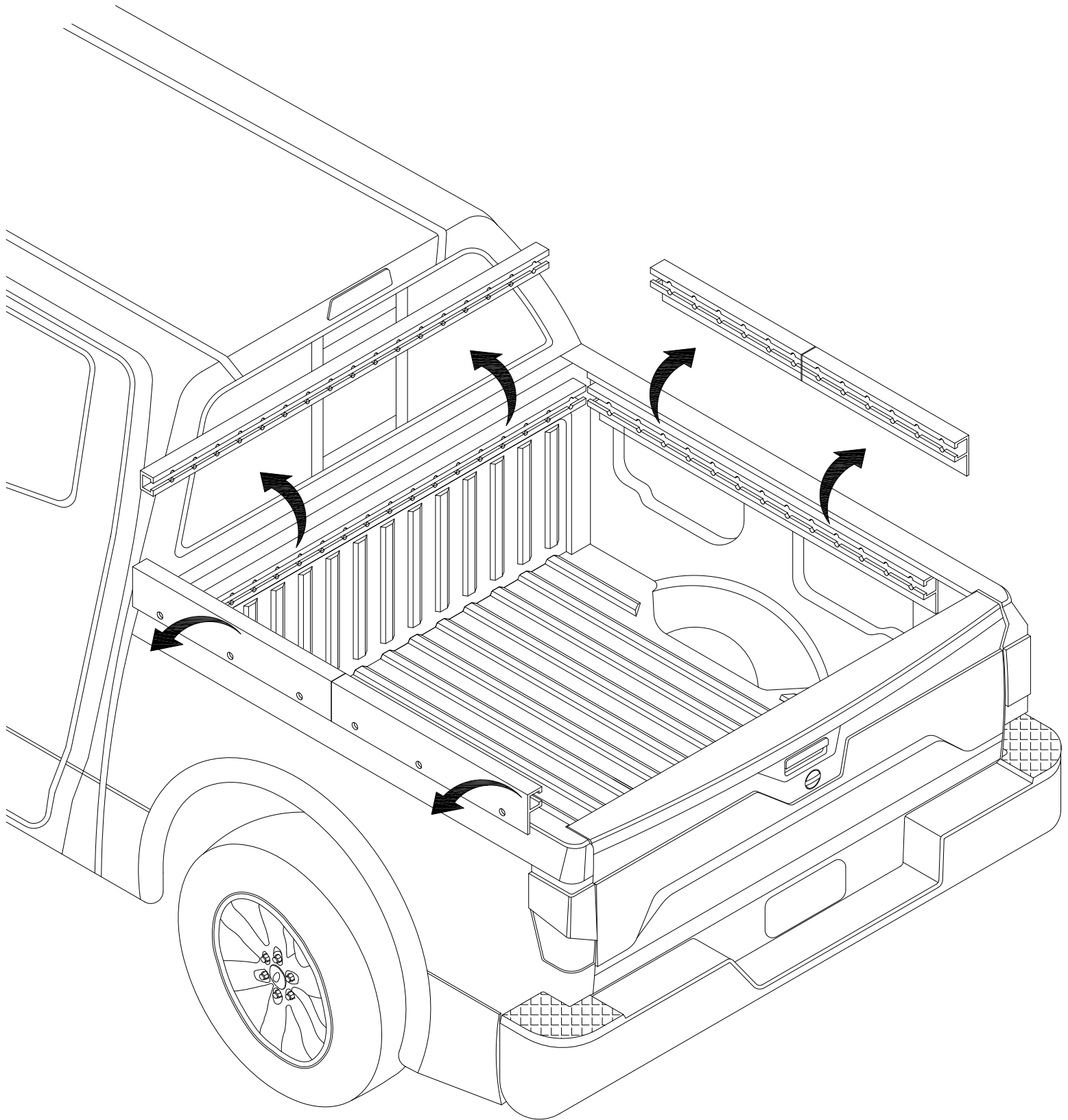
# Parts List

Item	Part Name	Qty.	Item	Part Name	Qty.	Item	Part Name	Qty.
A	Housing	1	H	1/4" Flat Washer	2	O	Shim	2
B	Track	2	I	Plastic Retaining Washer	2	P	1/4-20 x 3/8" Screw	4
C	Cargo Shield	1	J	#10-24 Screw	2	Q	Rubber Washer	4
D	Angle Bracket	2	K	Cargo Nut	2	R	Drain Tube	2
E	"SX" Bed Clamp	4	L	5/16" Socket Cap Screw	6	S	1/4" Lid Screws	2
F	Tang	2	M	5/16" Lock Washer	6		303 Vinyl Protector	1
G	1/4-20 x 1" Hex Bolt	2	N	Allen Wrench (1/4")	1			



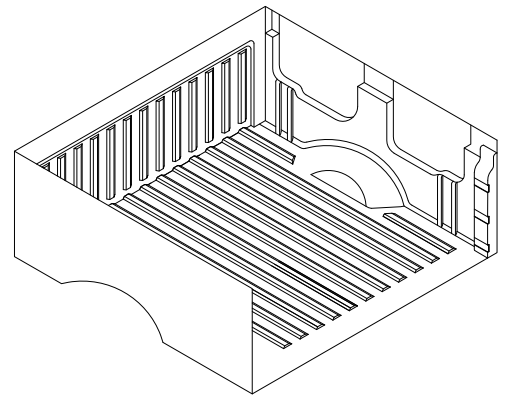
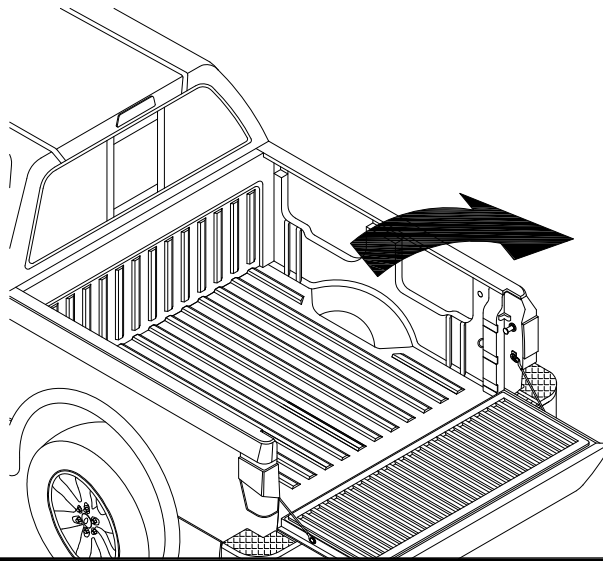
## Tools Needed





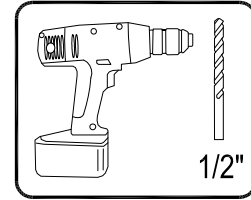
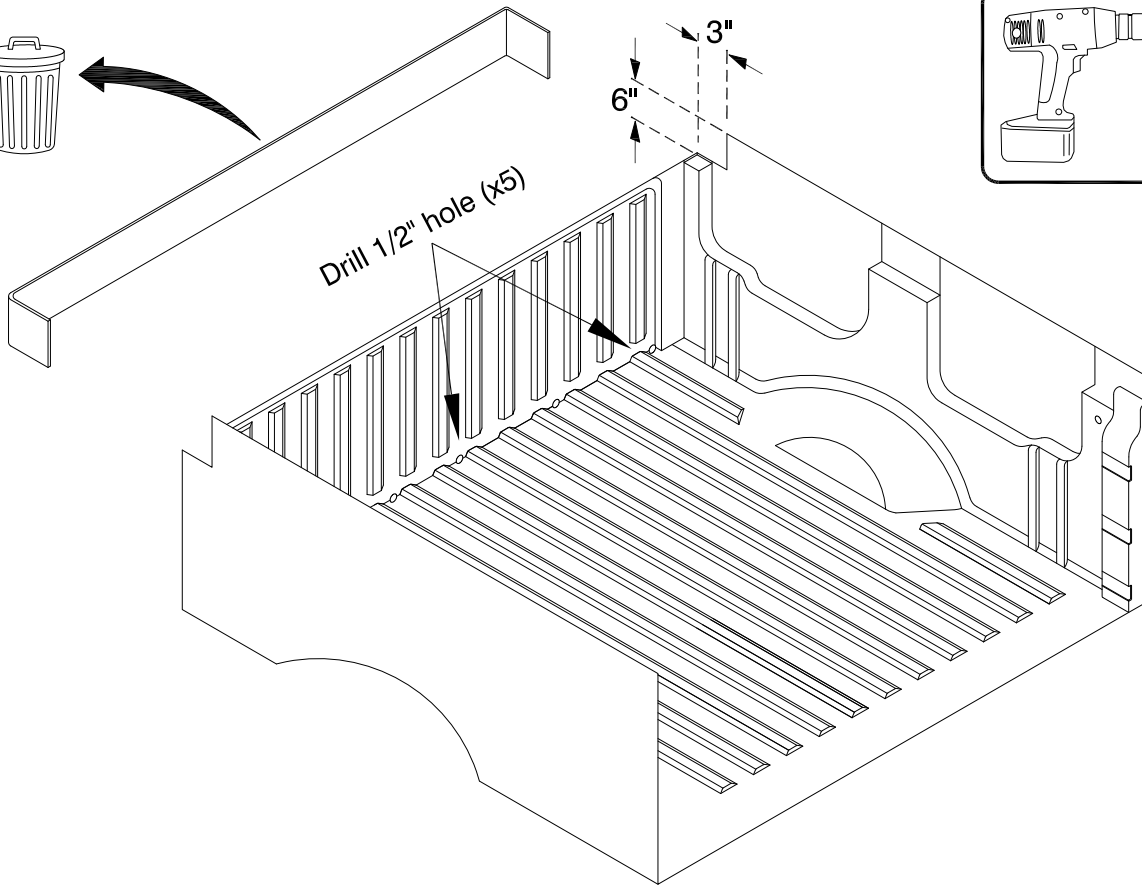
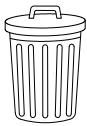
1a

If no bedliner present  
proceed to  
page 5 - step 2

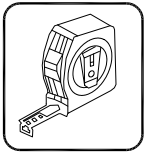
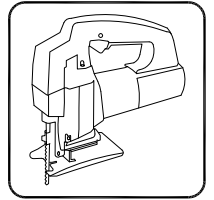


Plastic Bedliner

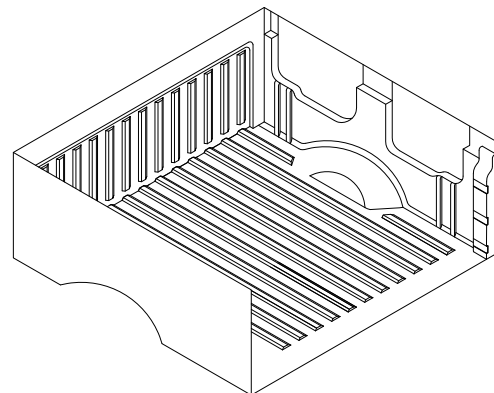
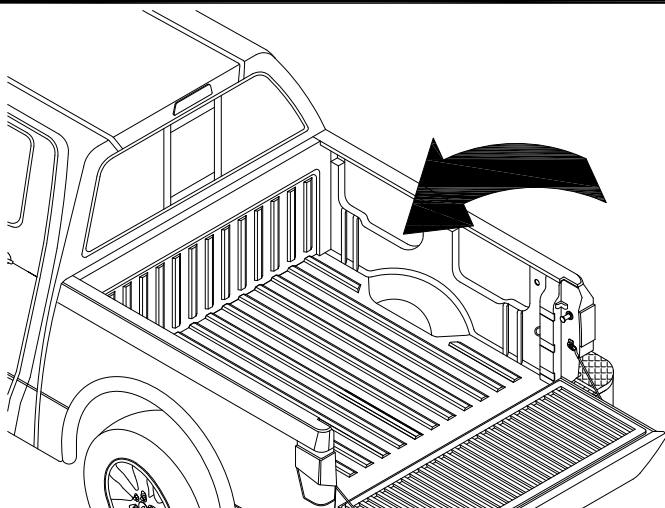
1b



1/2"

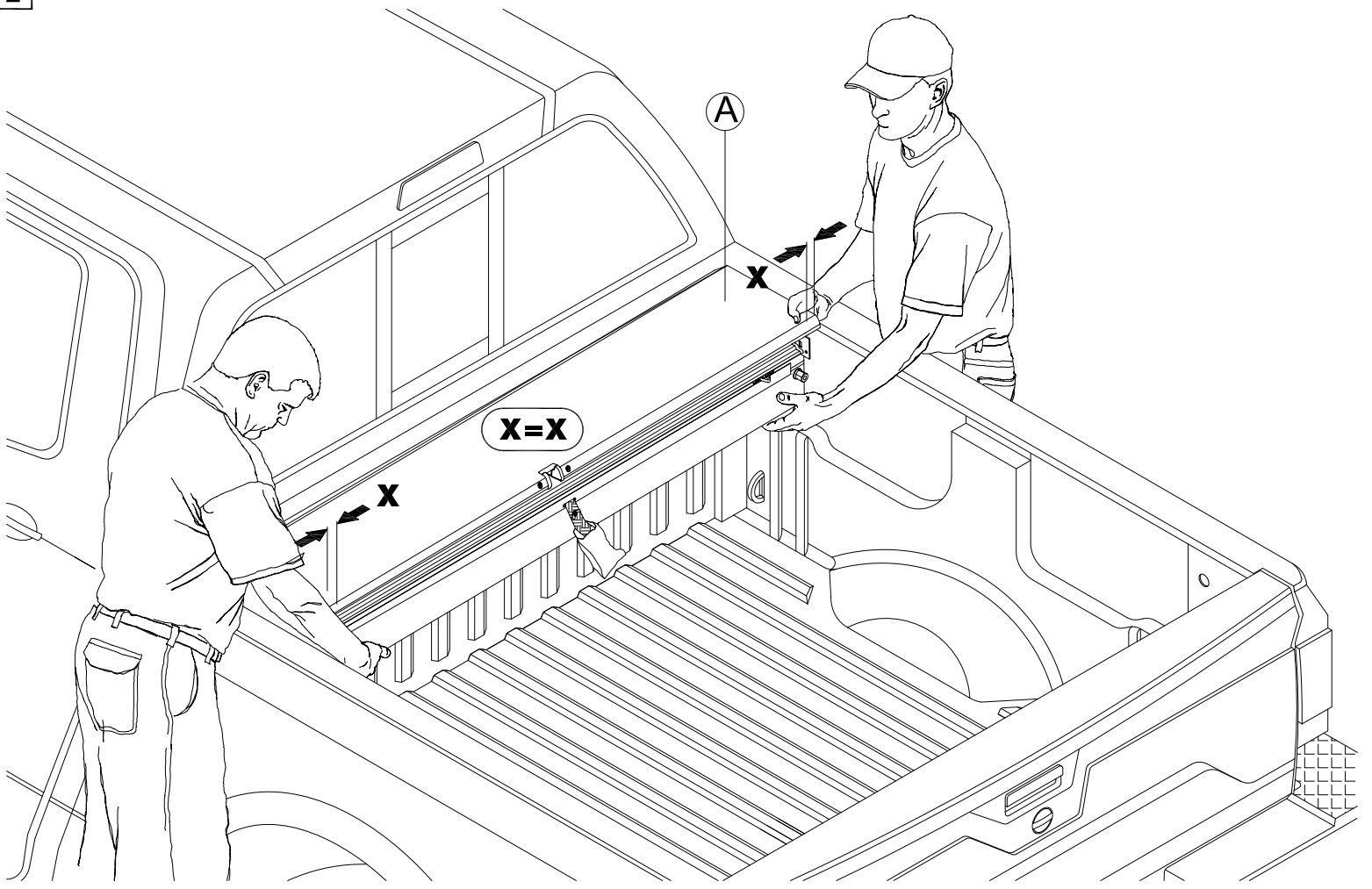


1c

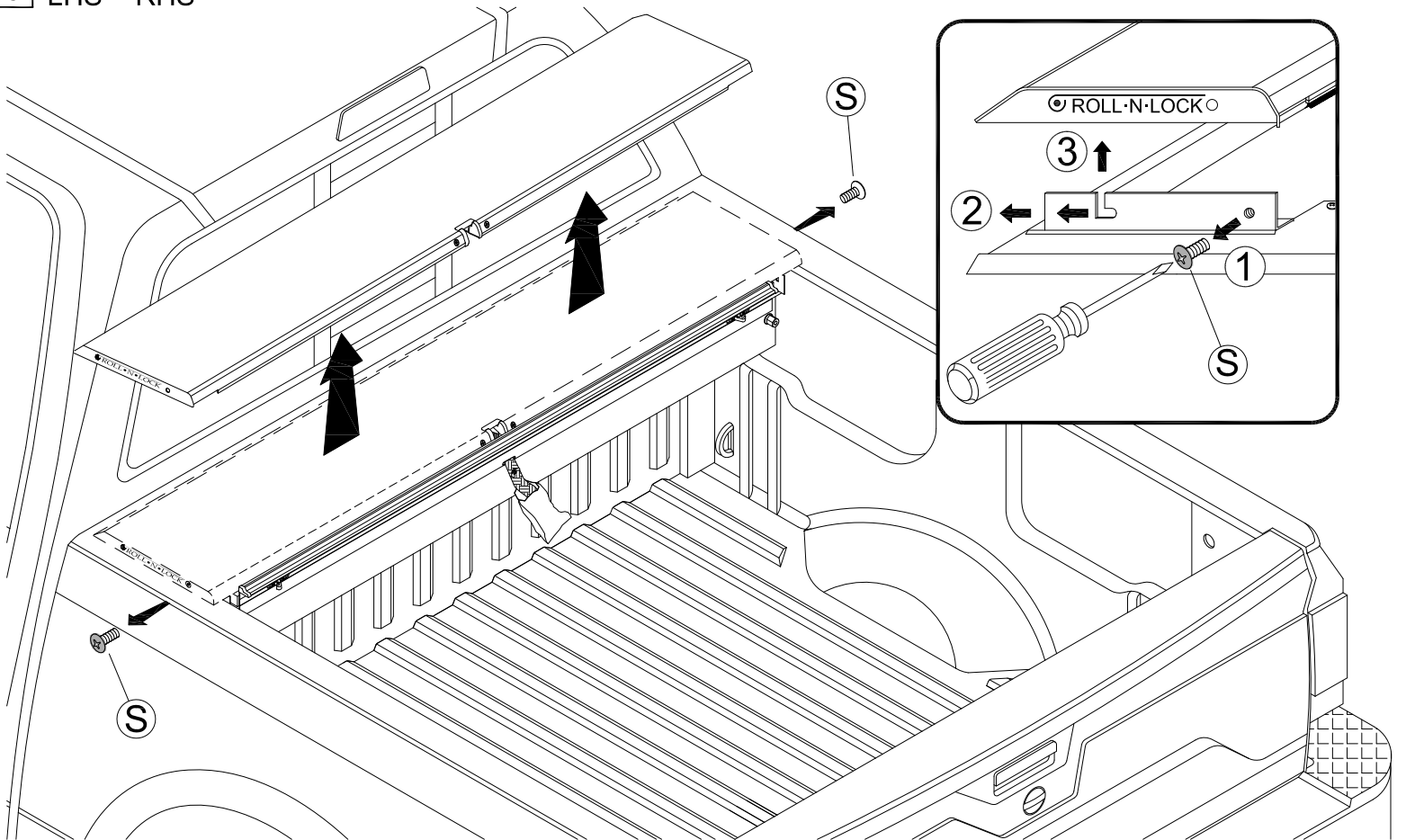


Plastic Bedliner

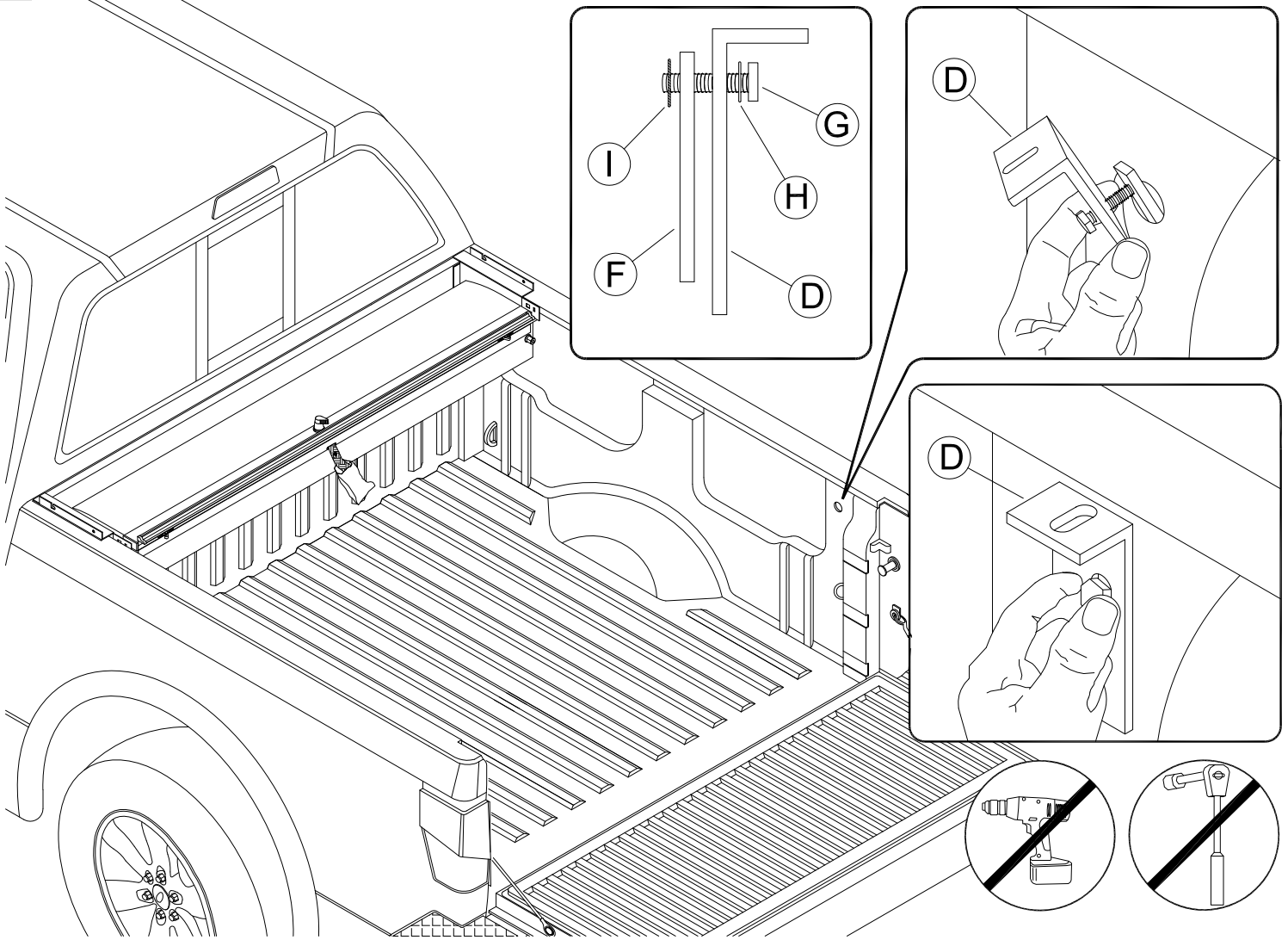
2



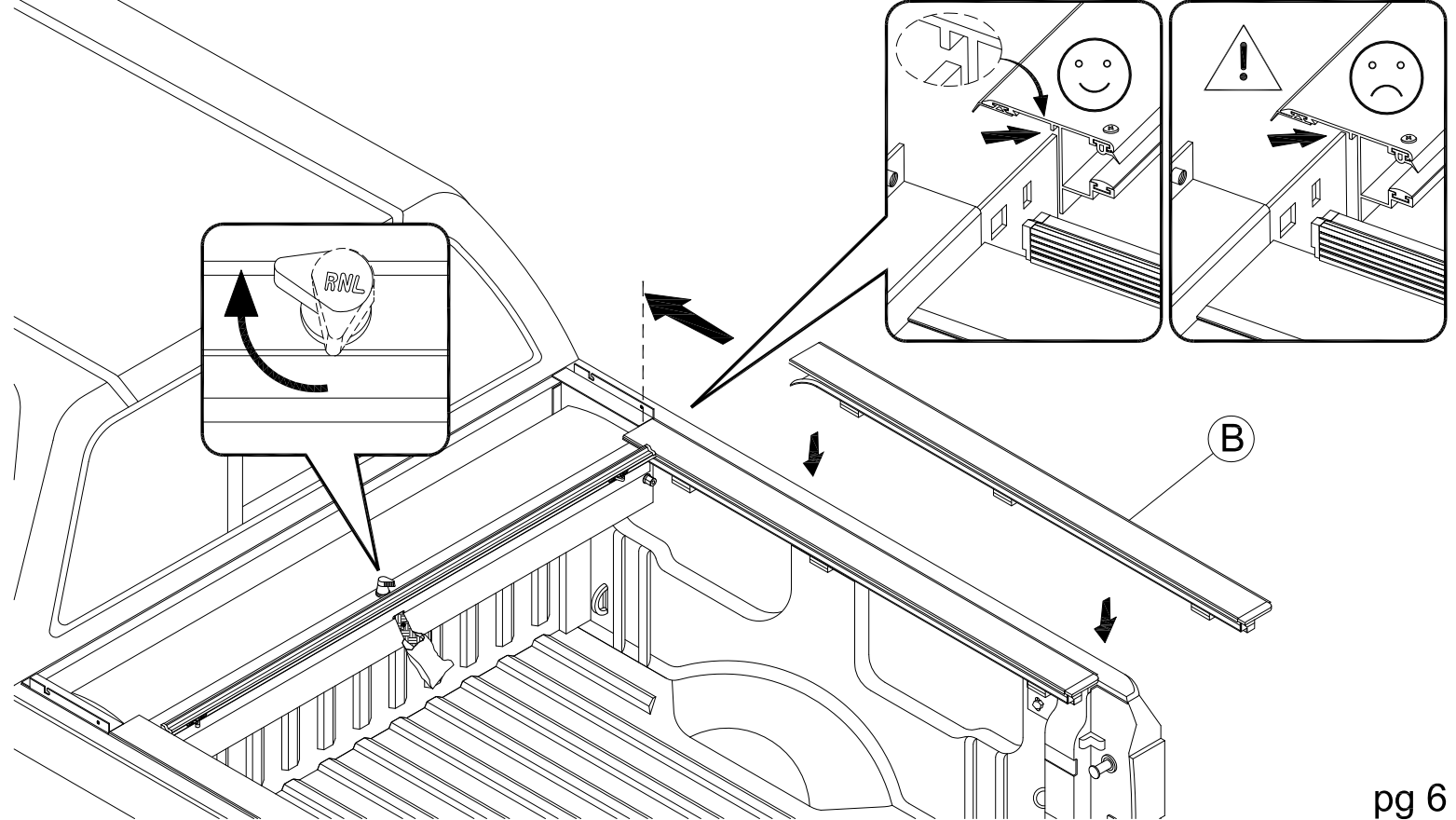
3 LHS = RHS



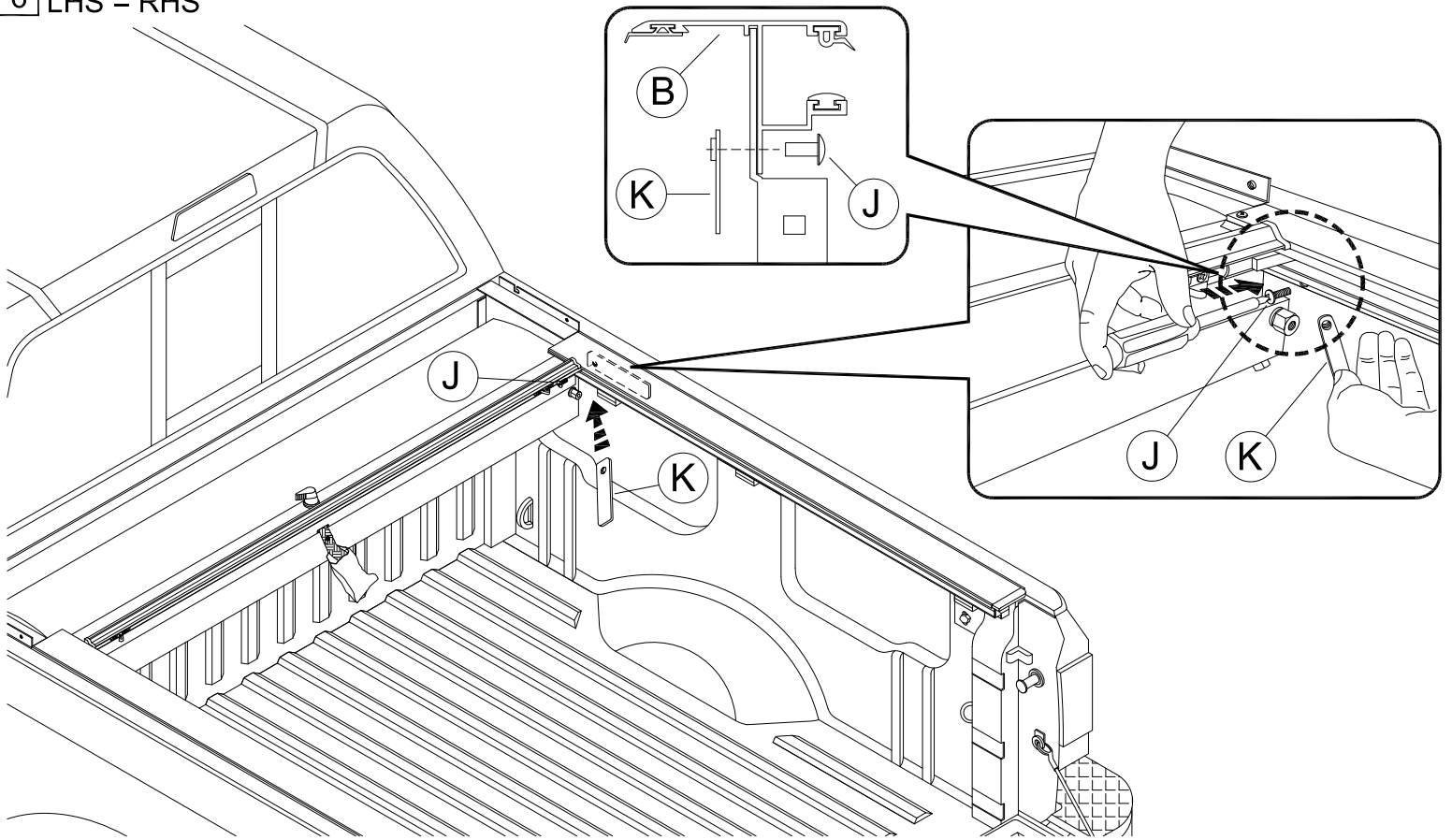
4 LHS = RHS



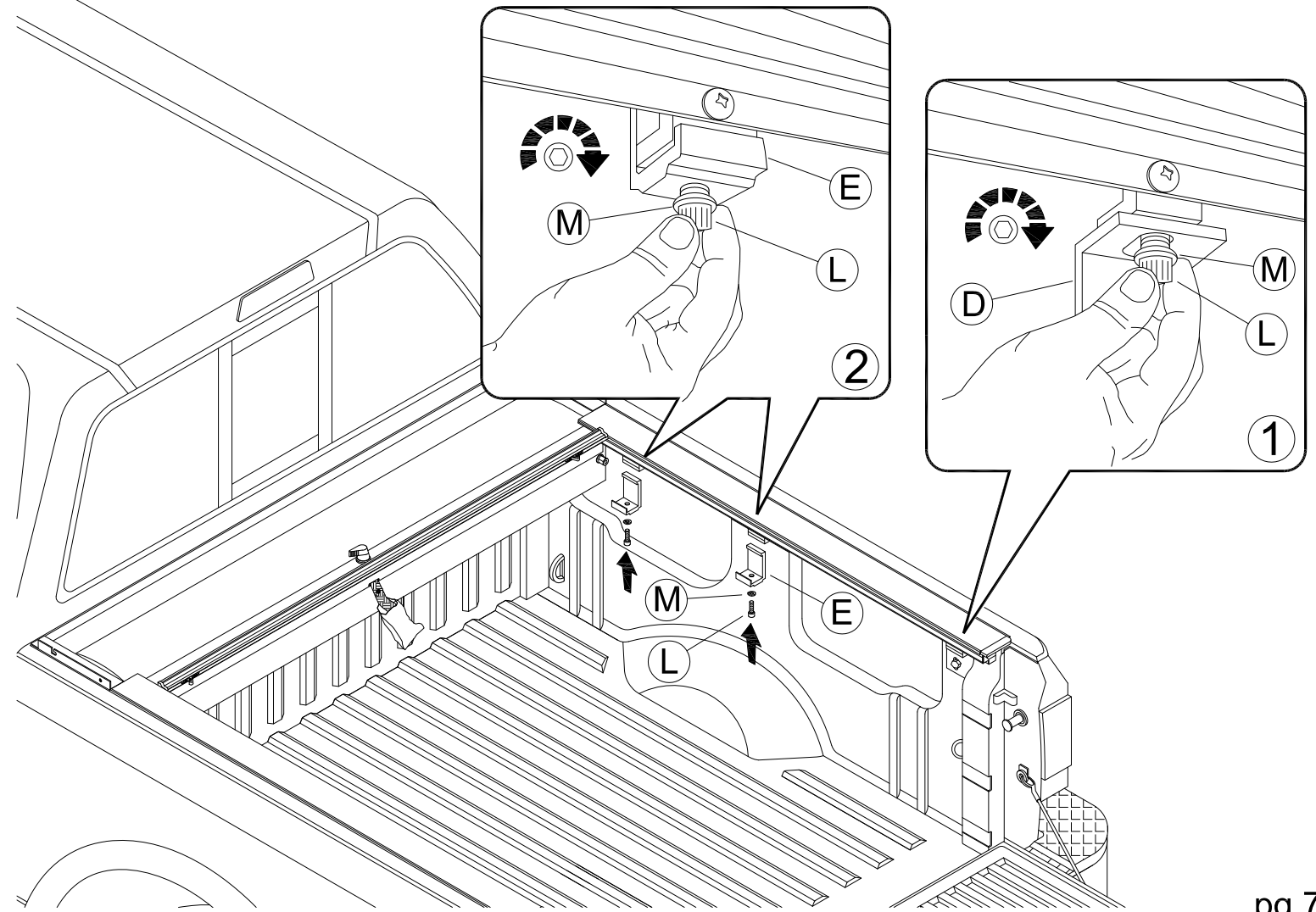
5 LHS = RHS

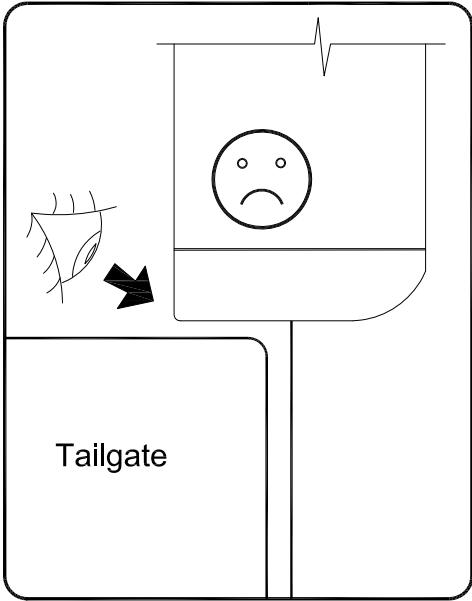
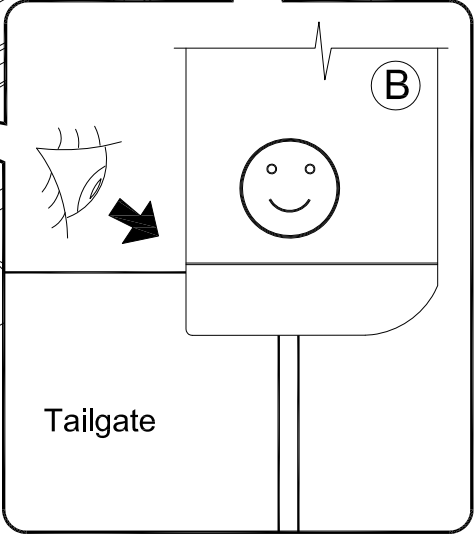
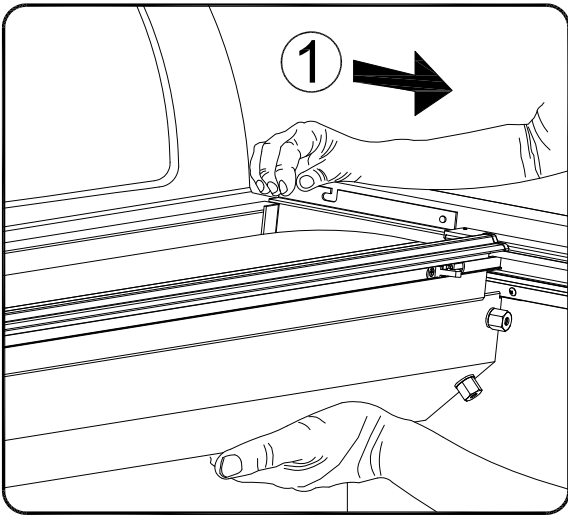
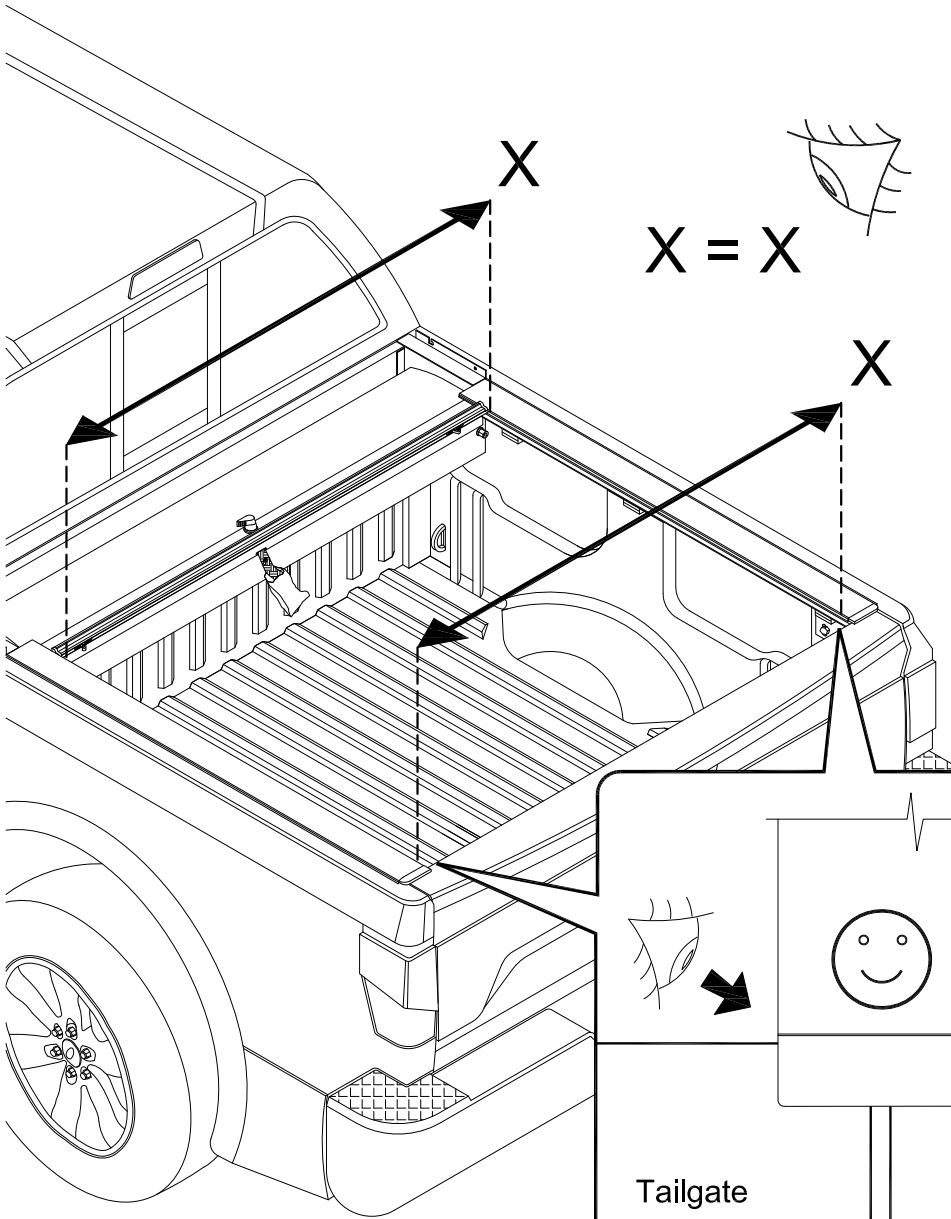


6 LHS = RHS



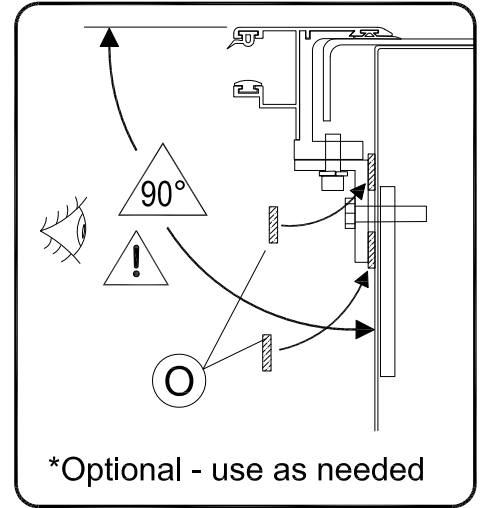
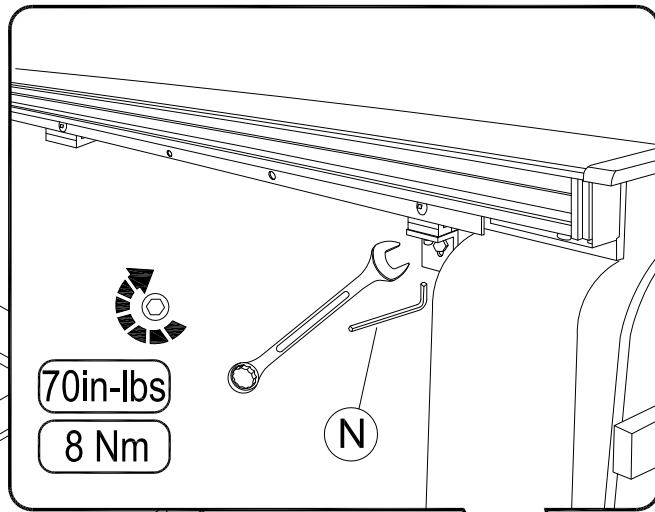
7 LHS = RHS



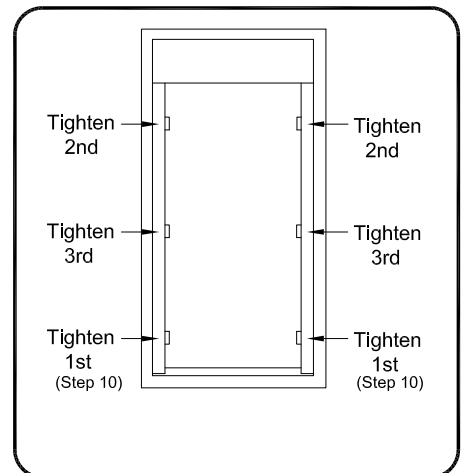
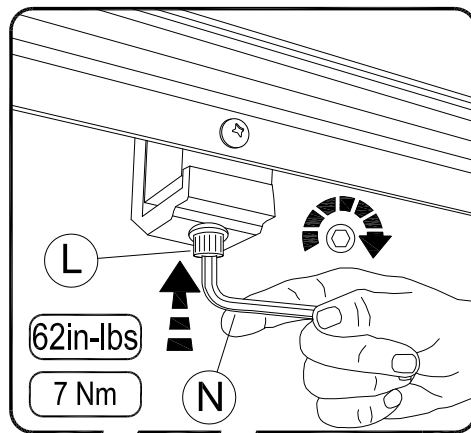




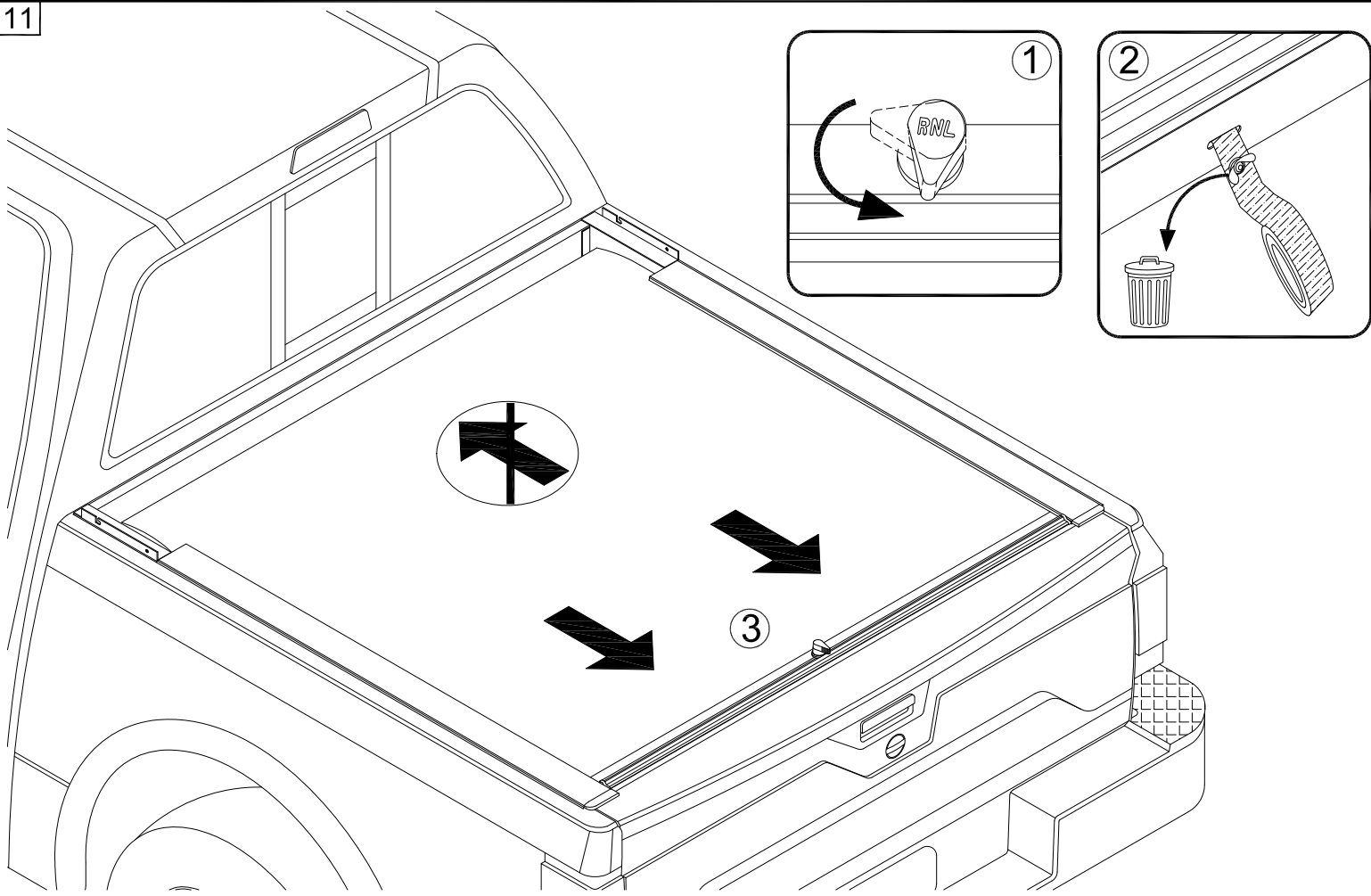
9 LHS = RHS



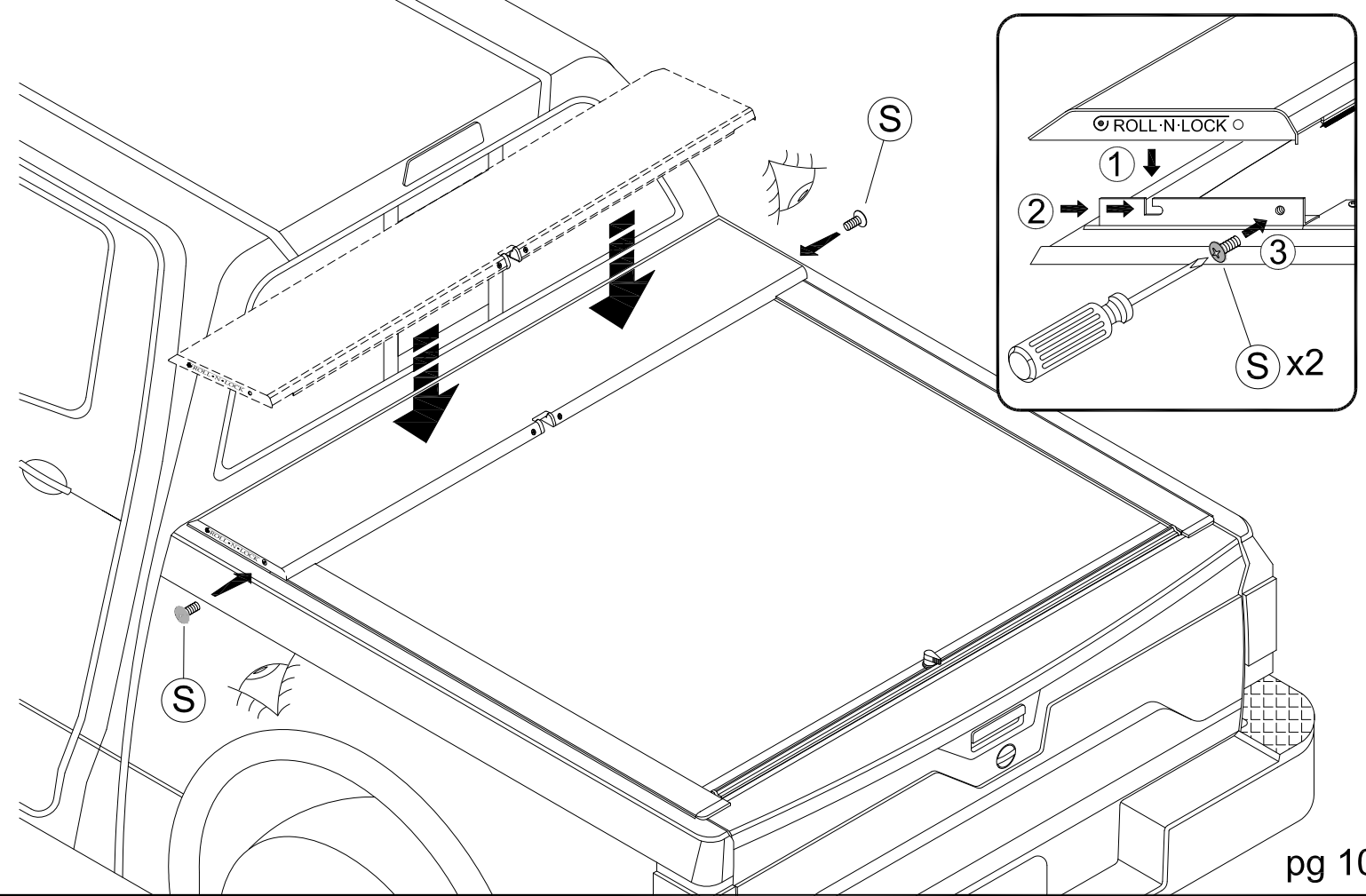
10 LHS = RHS



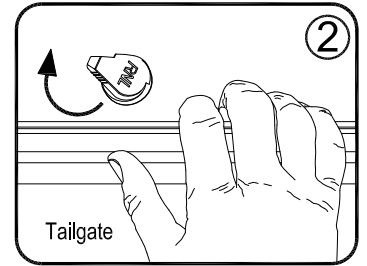
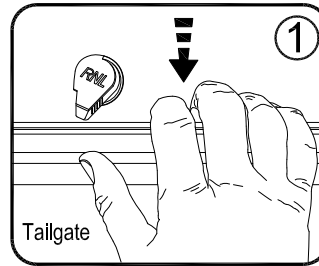
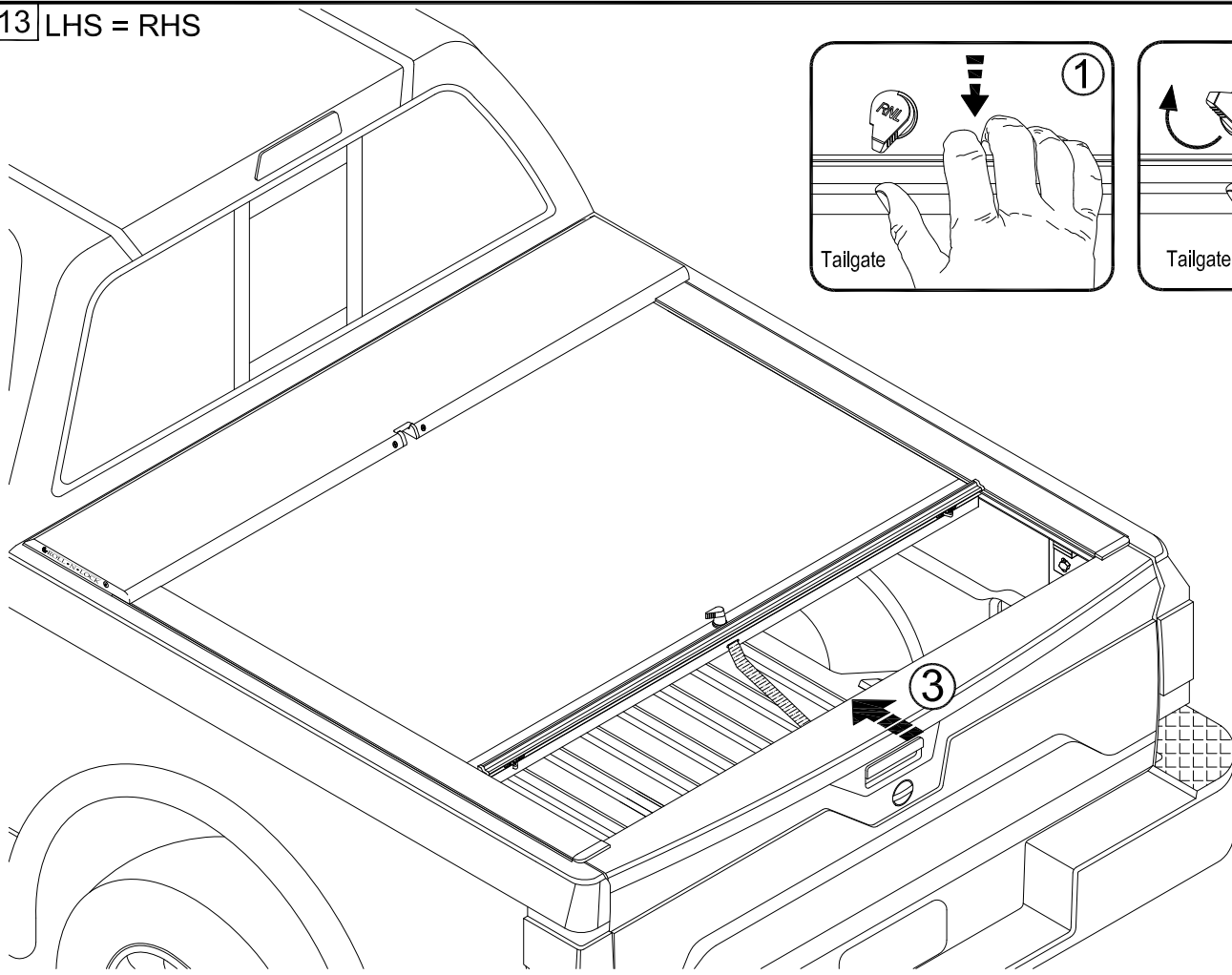
11



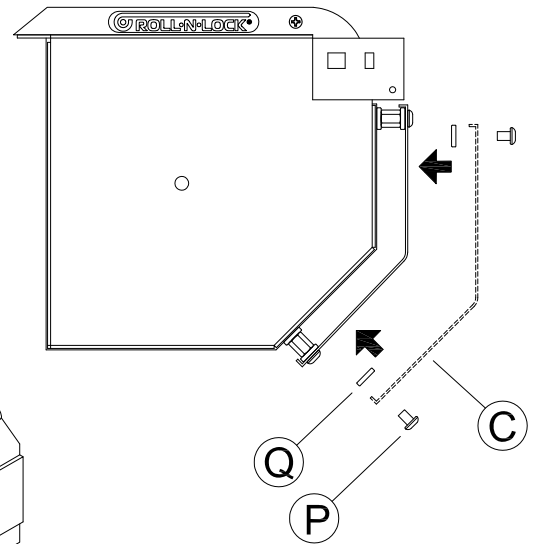
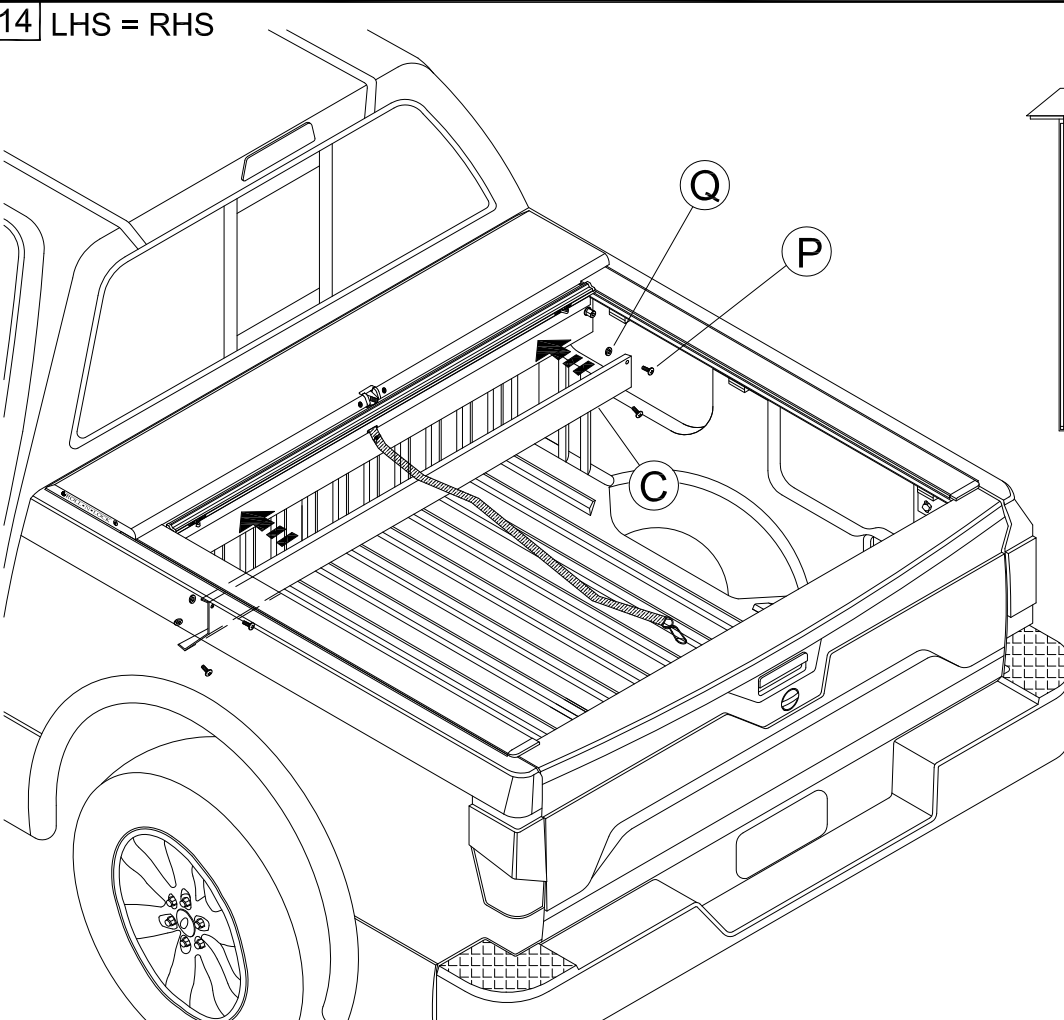
12 LHS = RHS



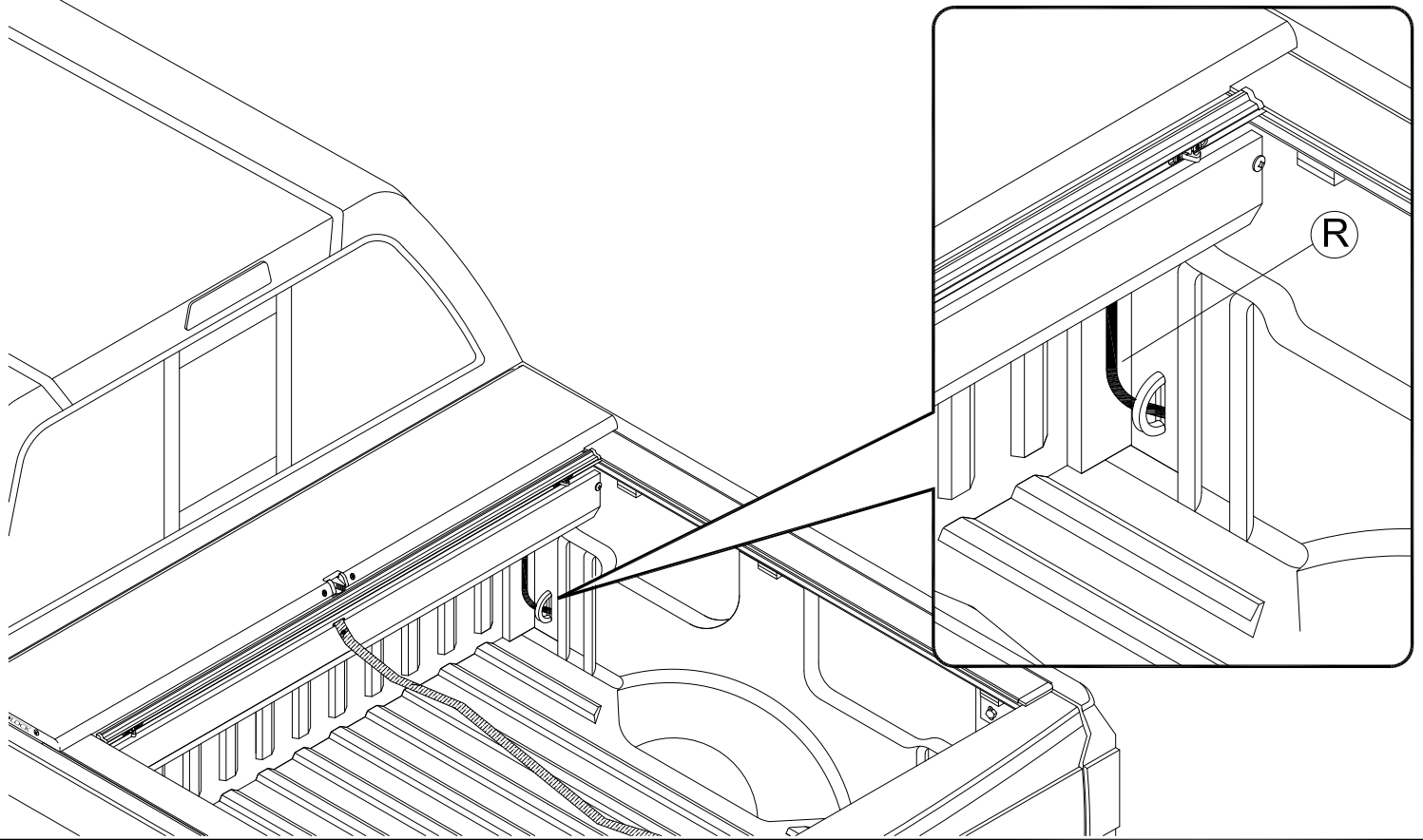
13 LHS = RHS



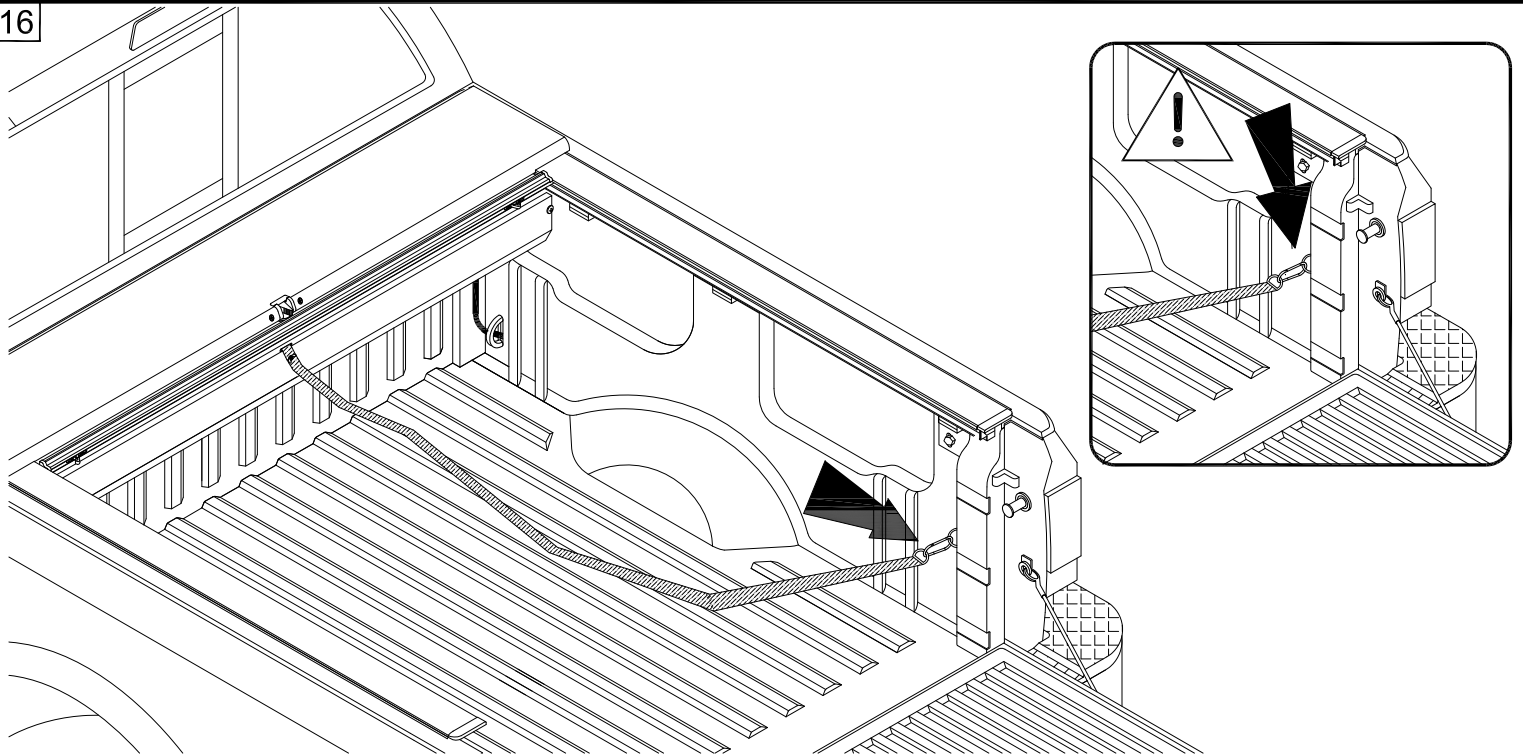
14 LHS = RHS



15



16



**ROLL-N-LOCK®**

When it comes to quality tonneau covers, Roll-N-Lock is the brand you can depend on.