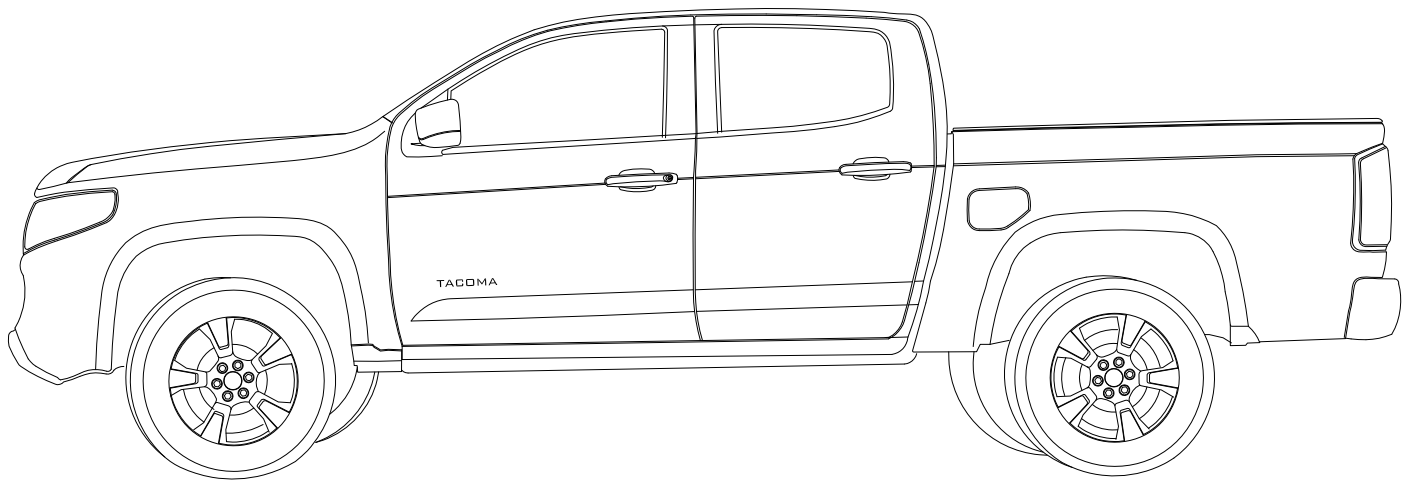




Installation Guide

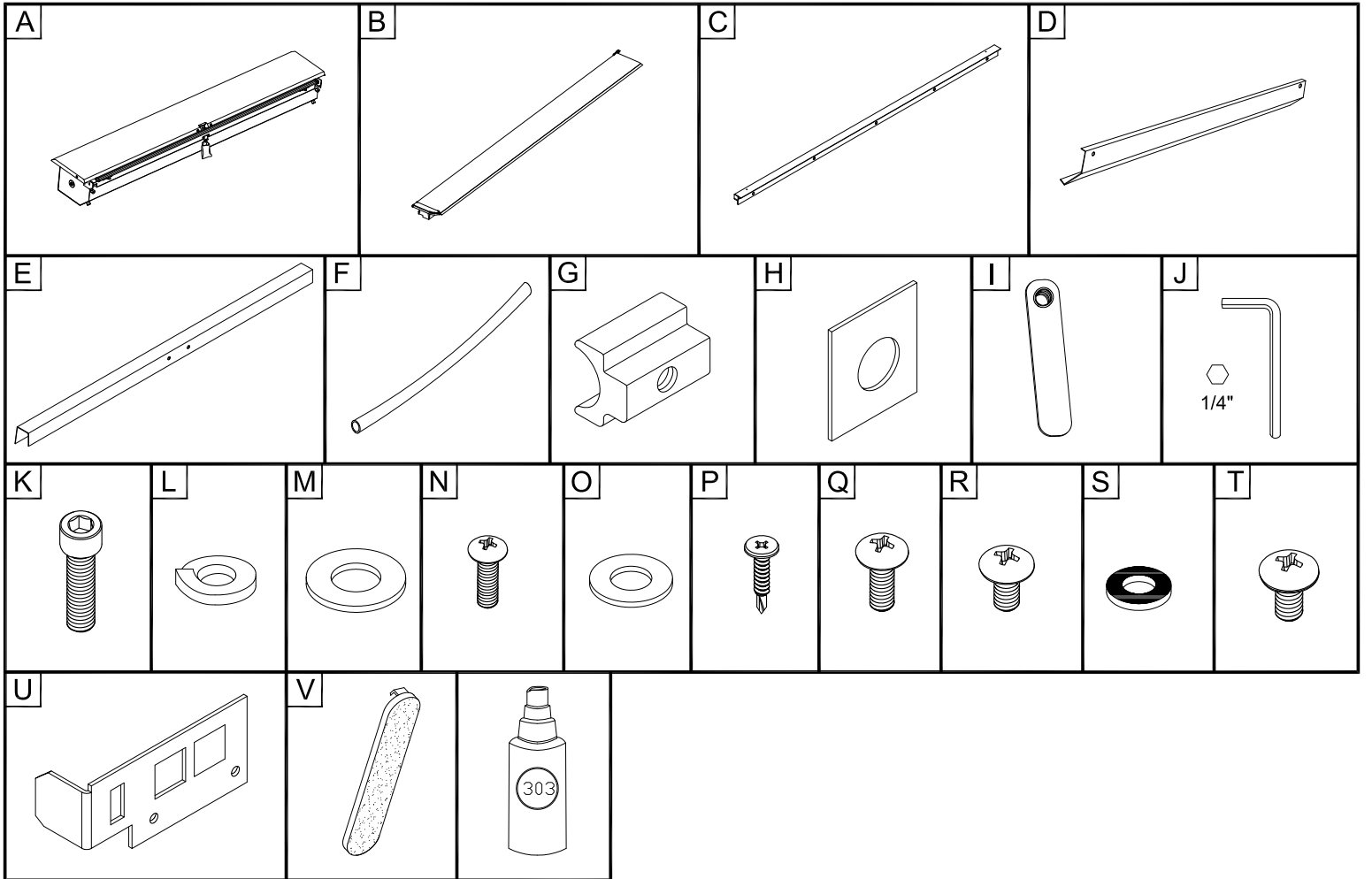
2016 Toyota Tacoma



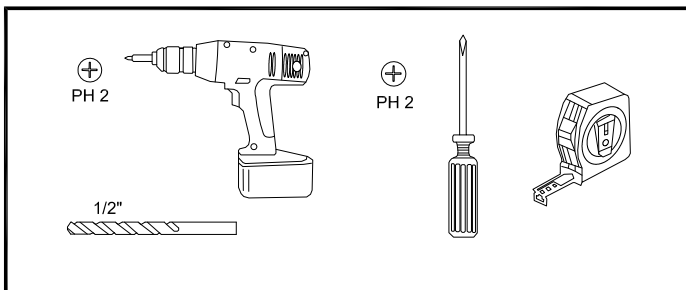
Product Codes
530 - 531

Parts List

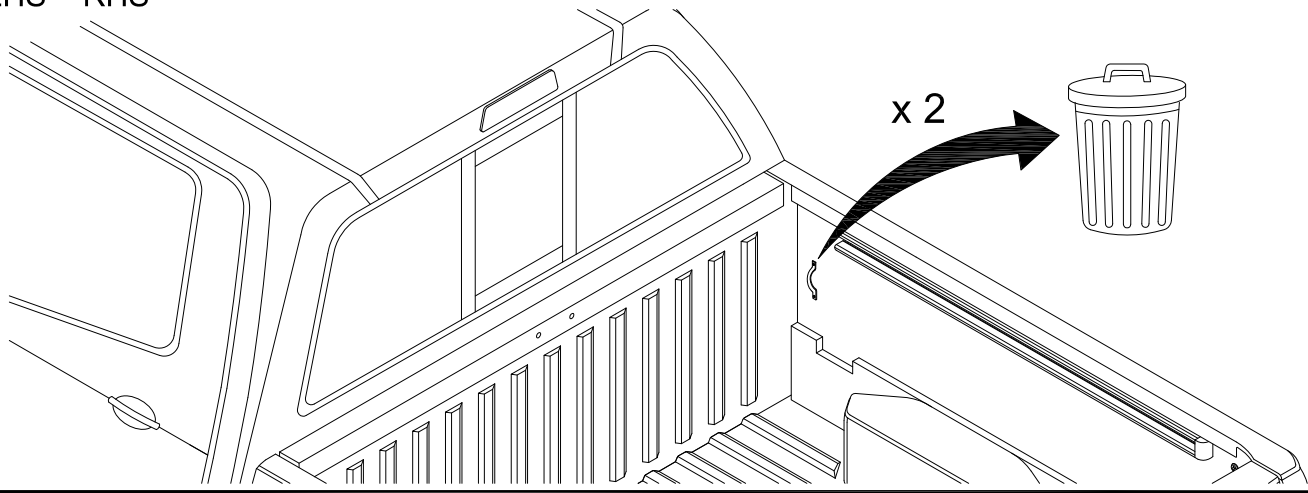
Item	Part Name	Qty.	Item	Part Name	Qty.	Item	Part Name	Qty.
A	Housing	1	I	Cargo Nut	2	Q	#10-24 Screw	2
B	Track	2	J	Allen Wrench (1/4")	1	R	1/4-20 x 3/8" Screw	4
C	Tailgate Extrusion	1	K	5/16" Socket Cap Screw	6	S	Rubber Washer	4
D	Cargo Shield	1	L	5/16" Lock Washer	6	T	1/4" Lid Screws	2
E	Bulkhead Flashing	1	M	5/16" Flat Washer	6	U	NT Striker Plate	2
F	Drain Tube	2	N	M6 x 25mm Screw	2	V	Hook Latch Cap	2
G	Tang	6	O	M6 Flat Washer	2		303 Vinyl Protector	1
H	Shim (Clamp)	2	P	#8x3/4" Self Tap Screw	5			



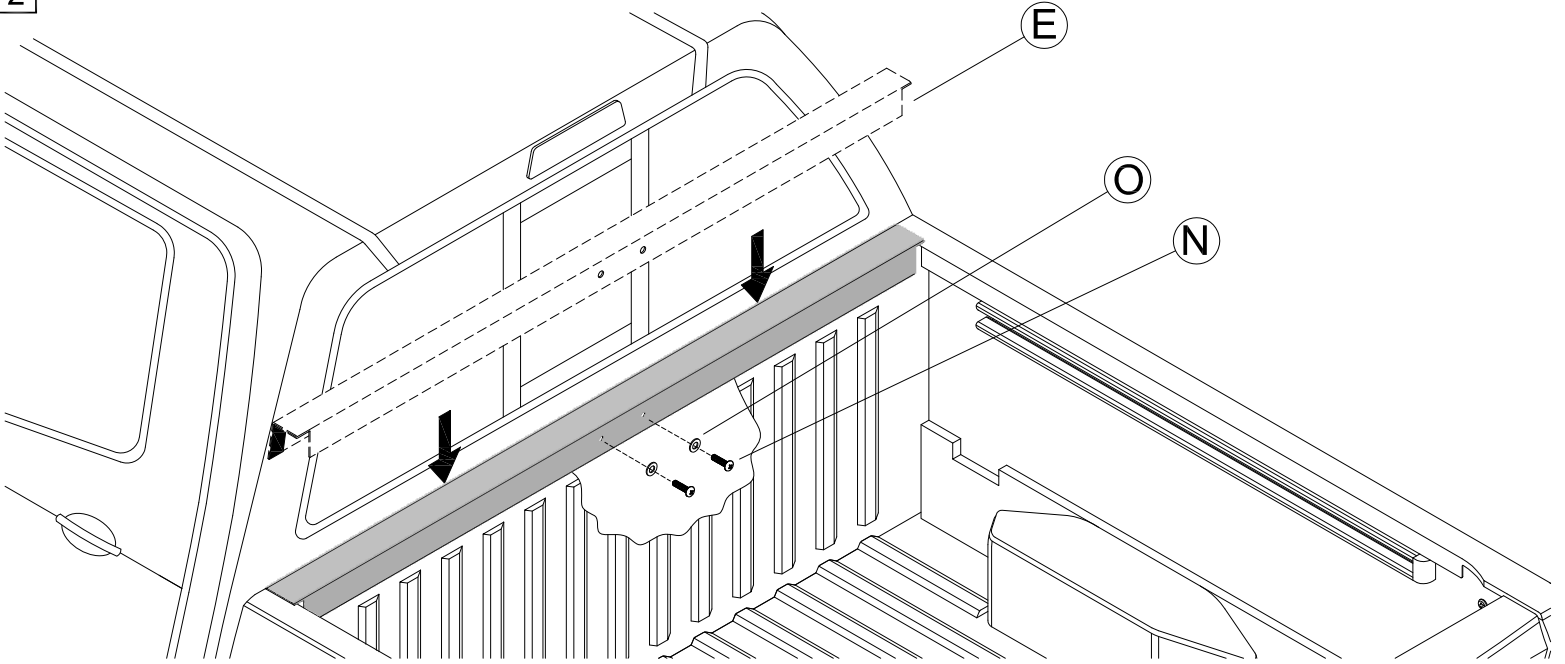
Tools Needed



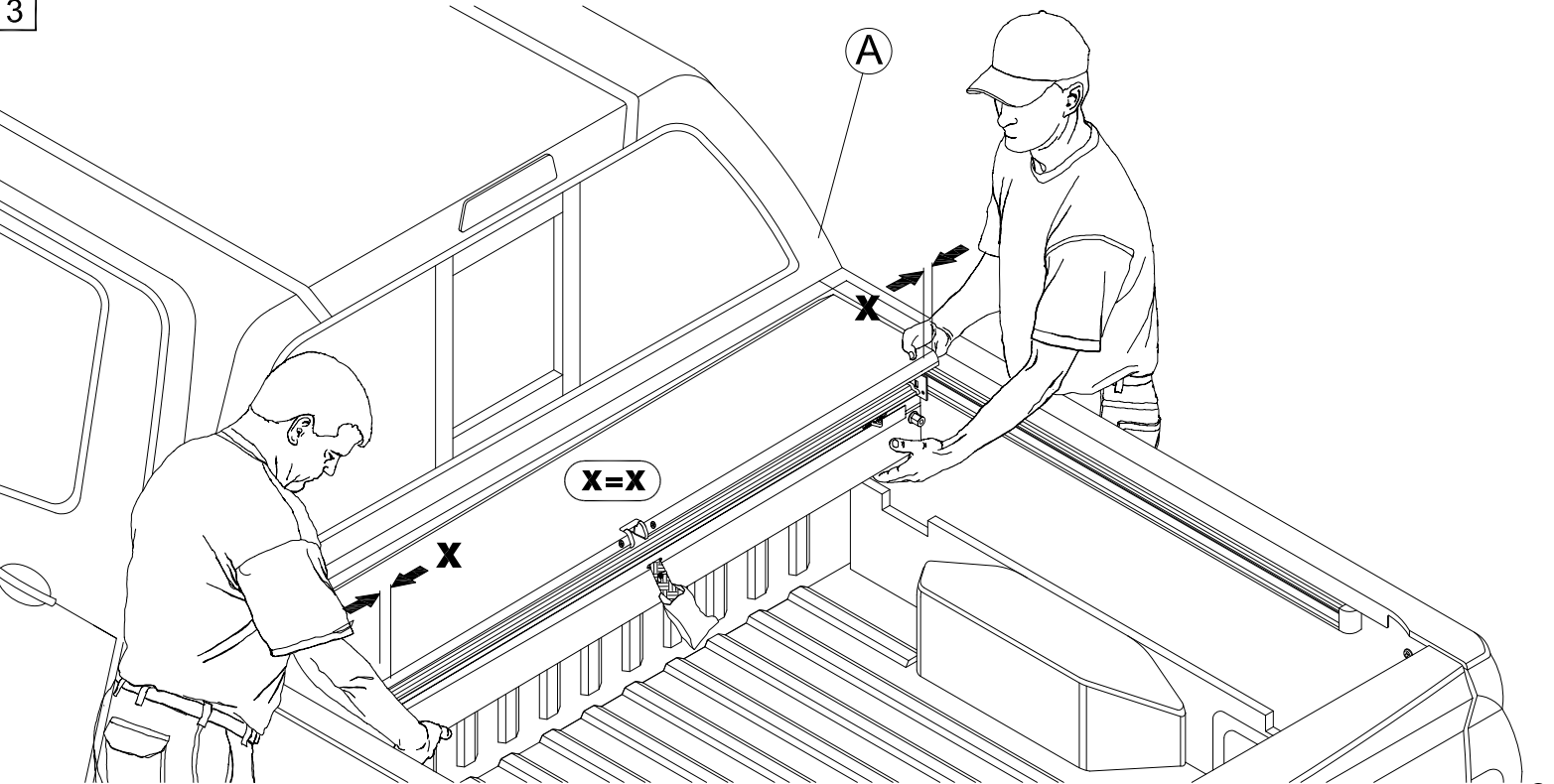
1 LHS = RHS



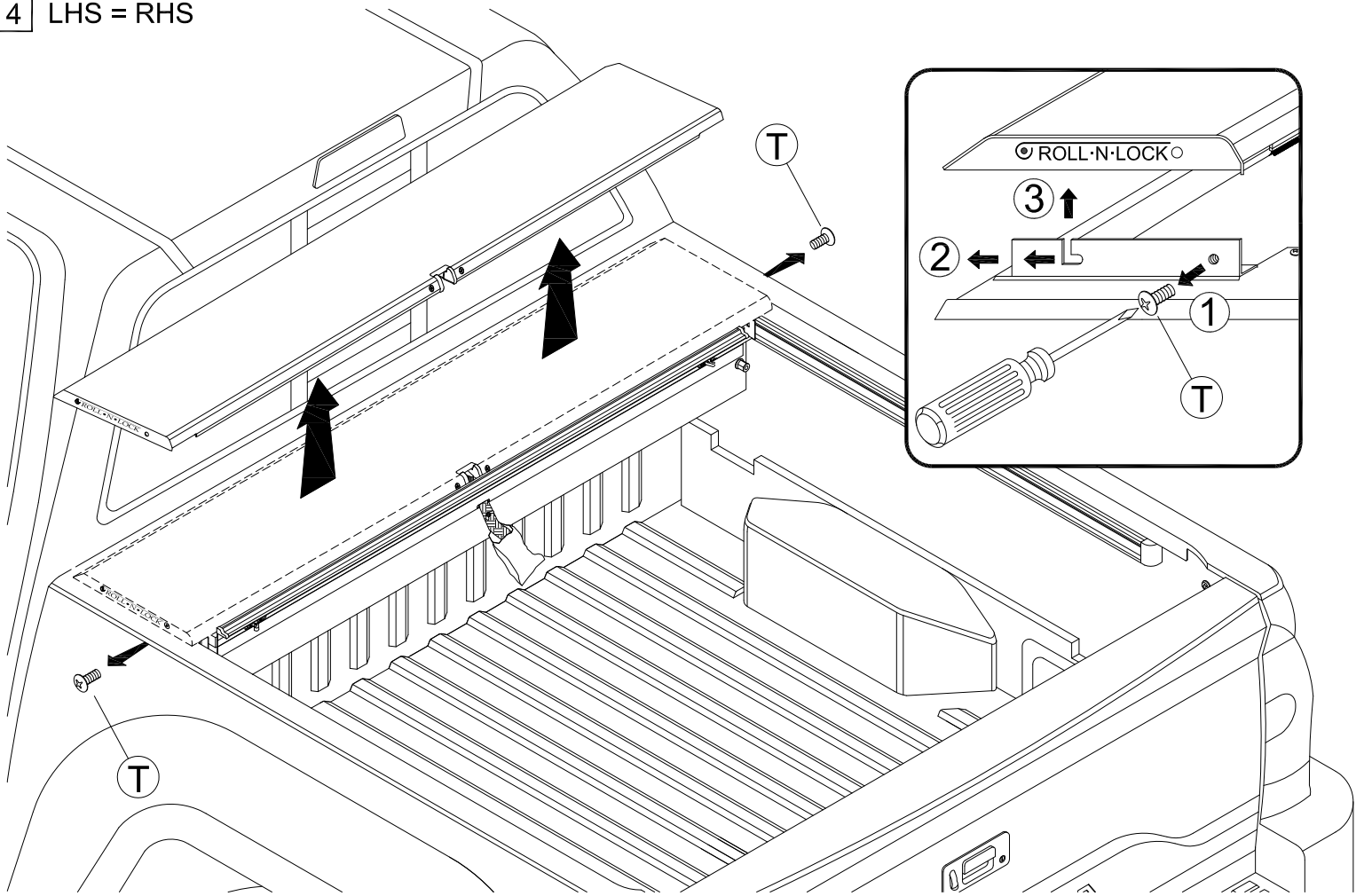
2



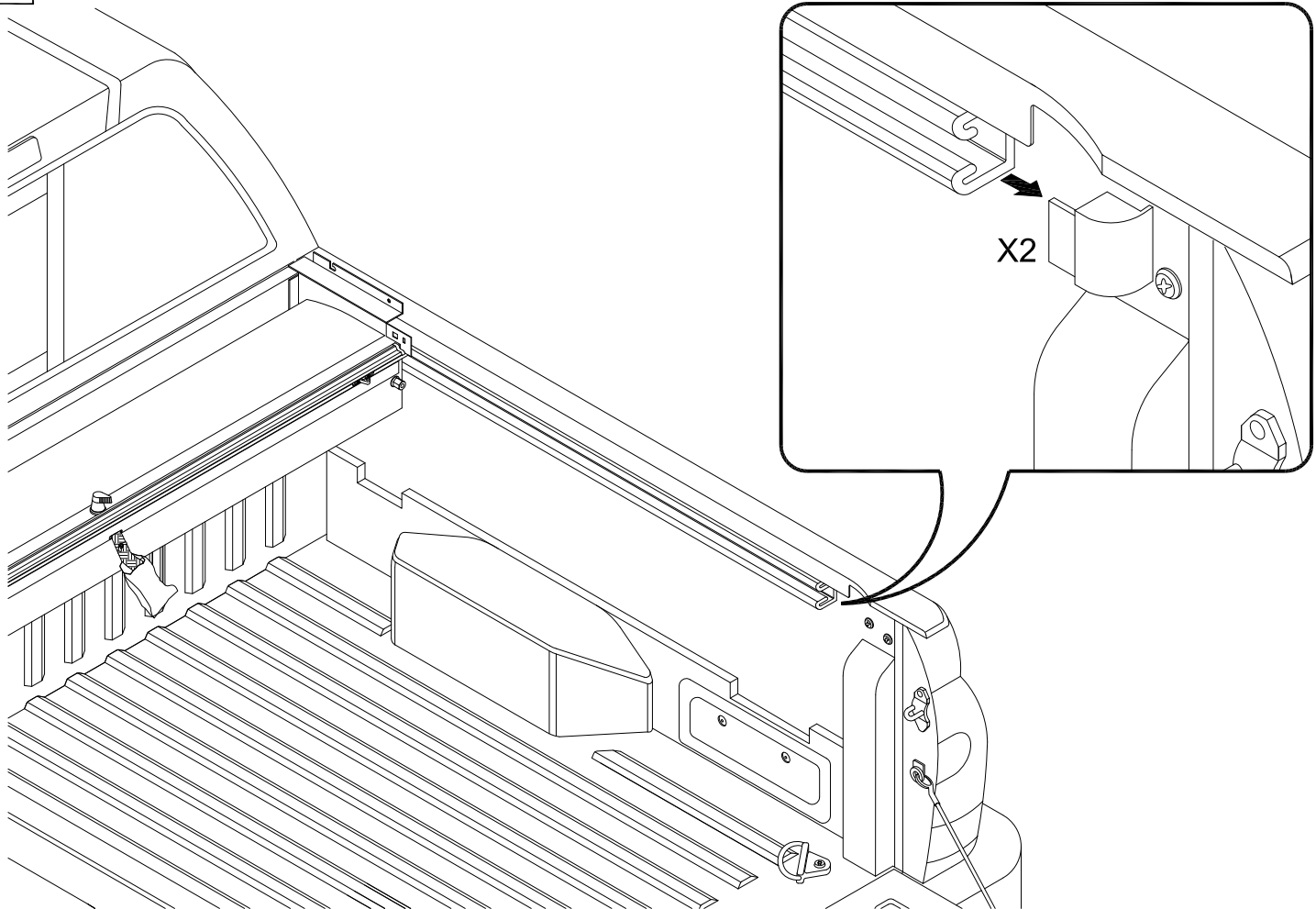
3

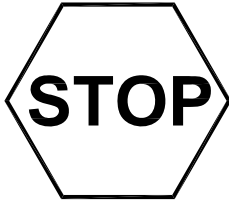
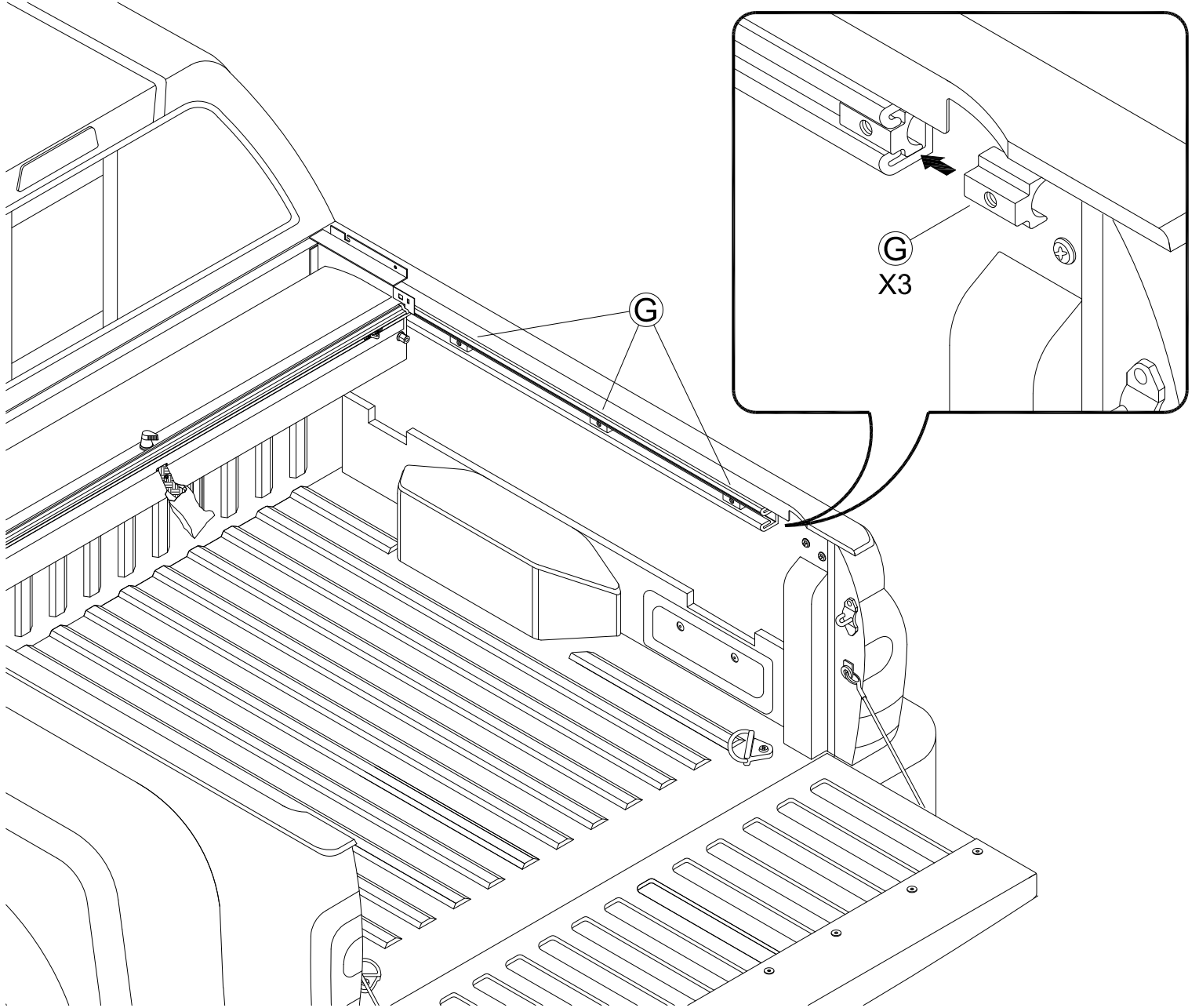


4 LHS = RHS



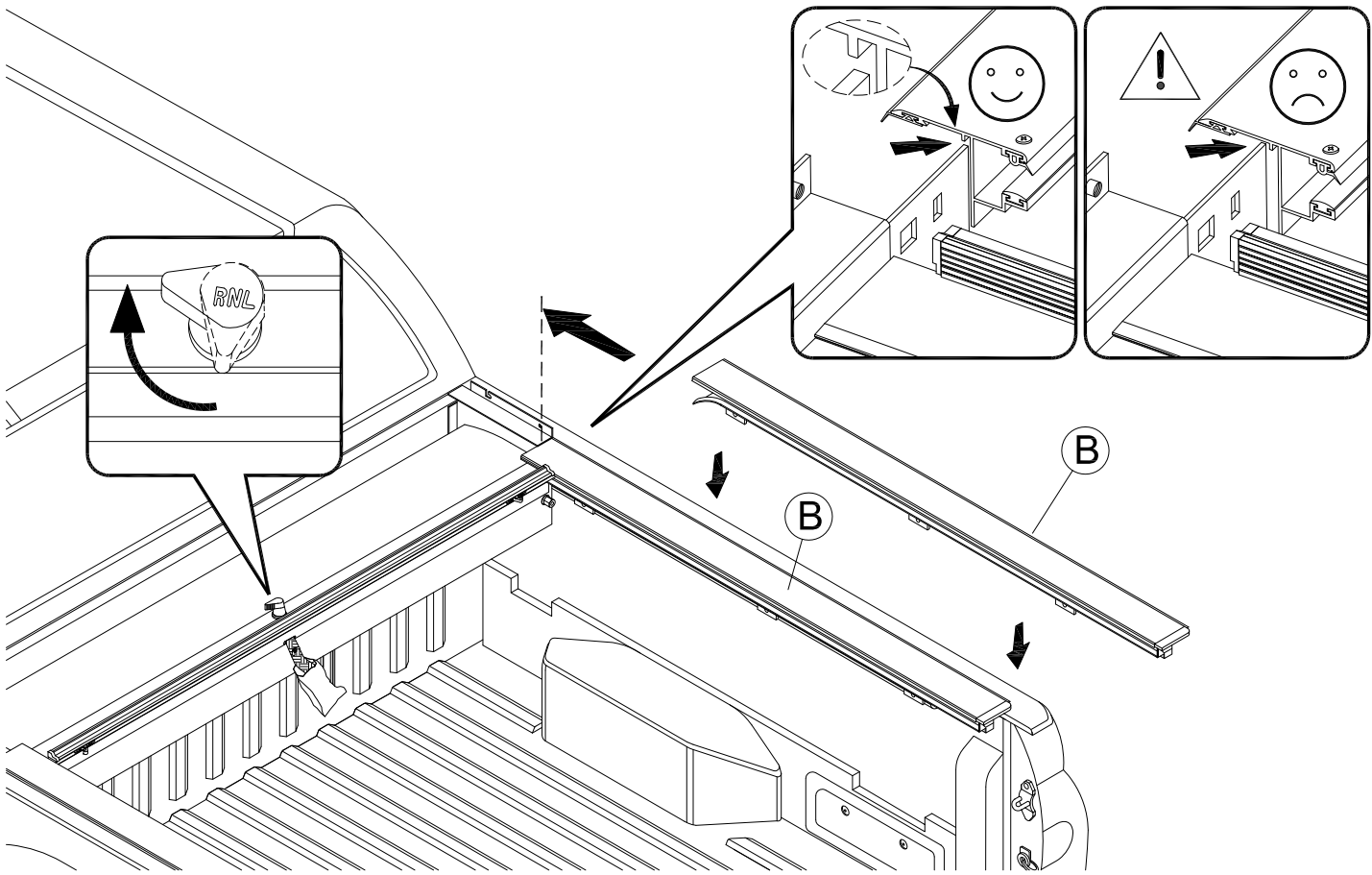
5 LHS = RHS



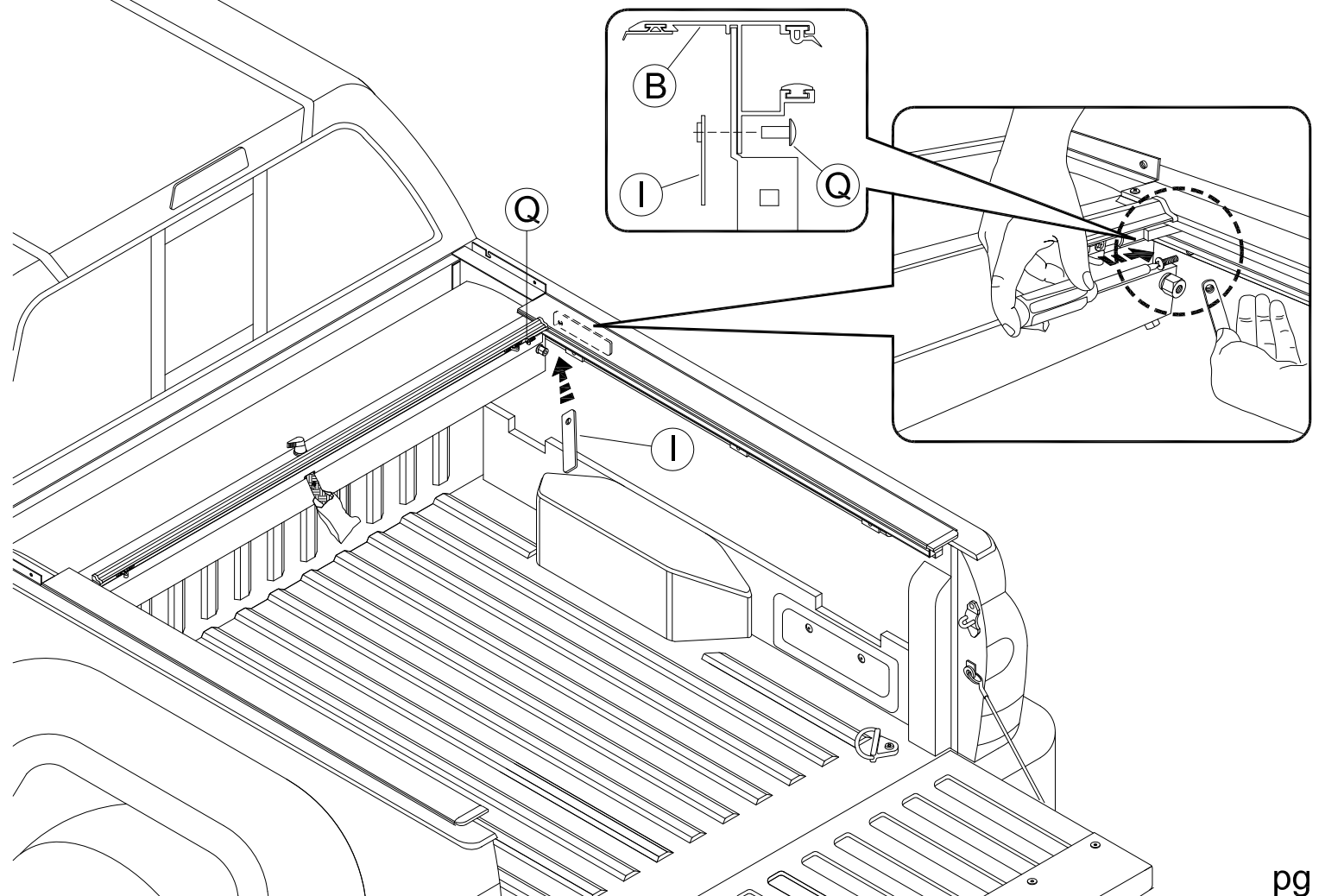


See supplemental instructions attached
to the Tailgate Extrusion - part **C**

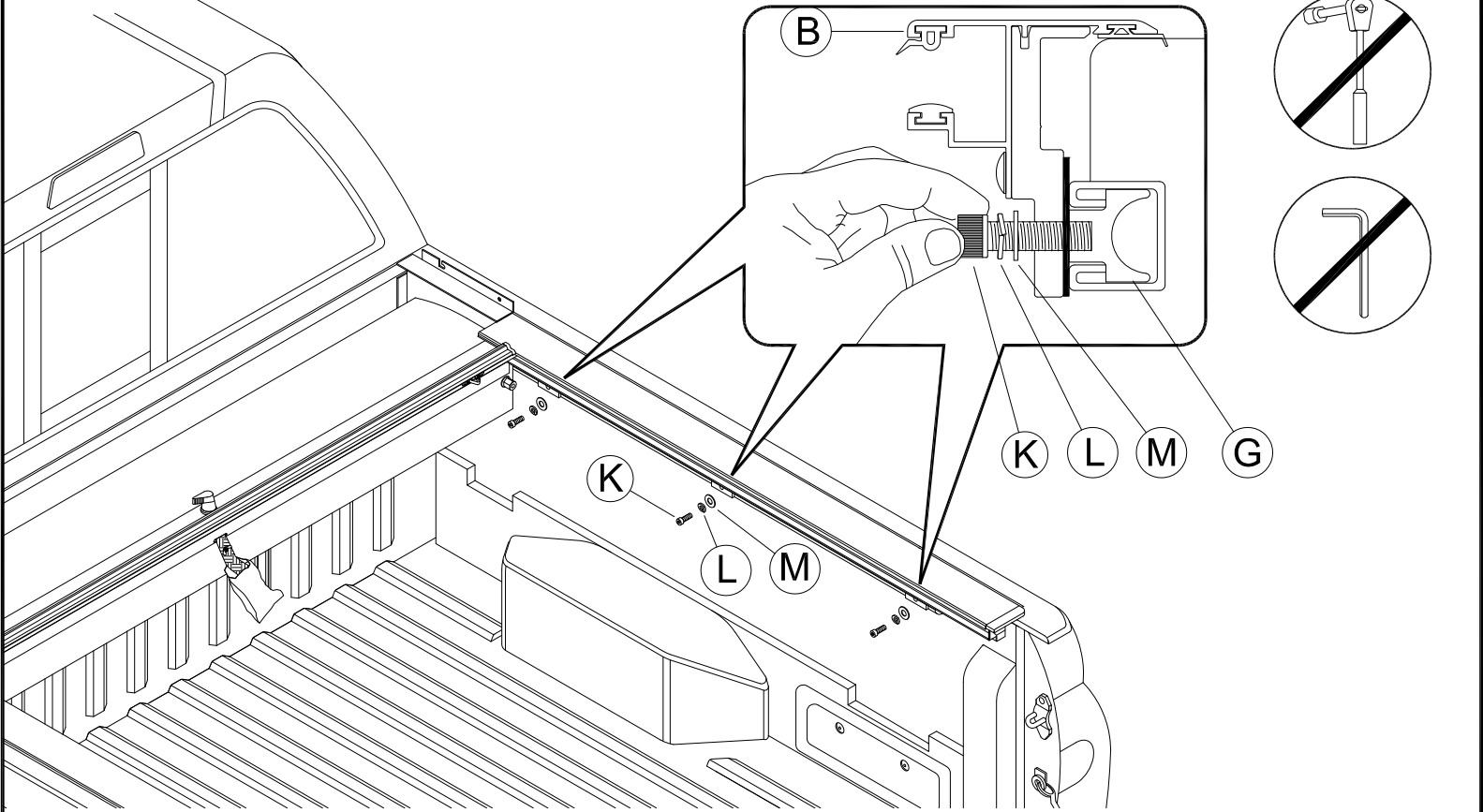
7 LHS = RHS



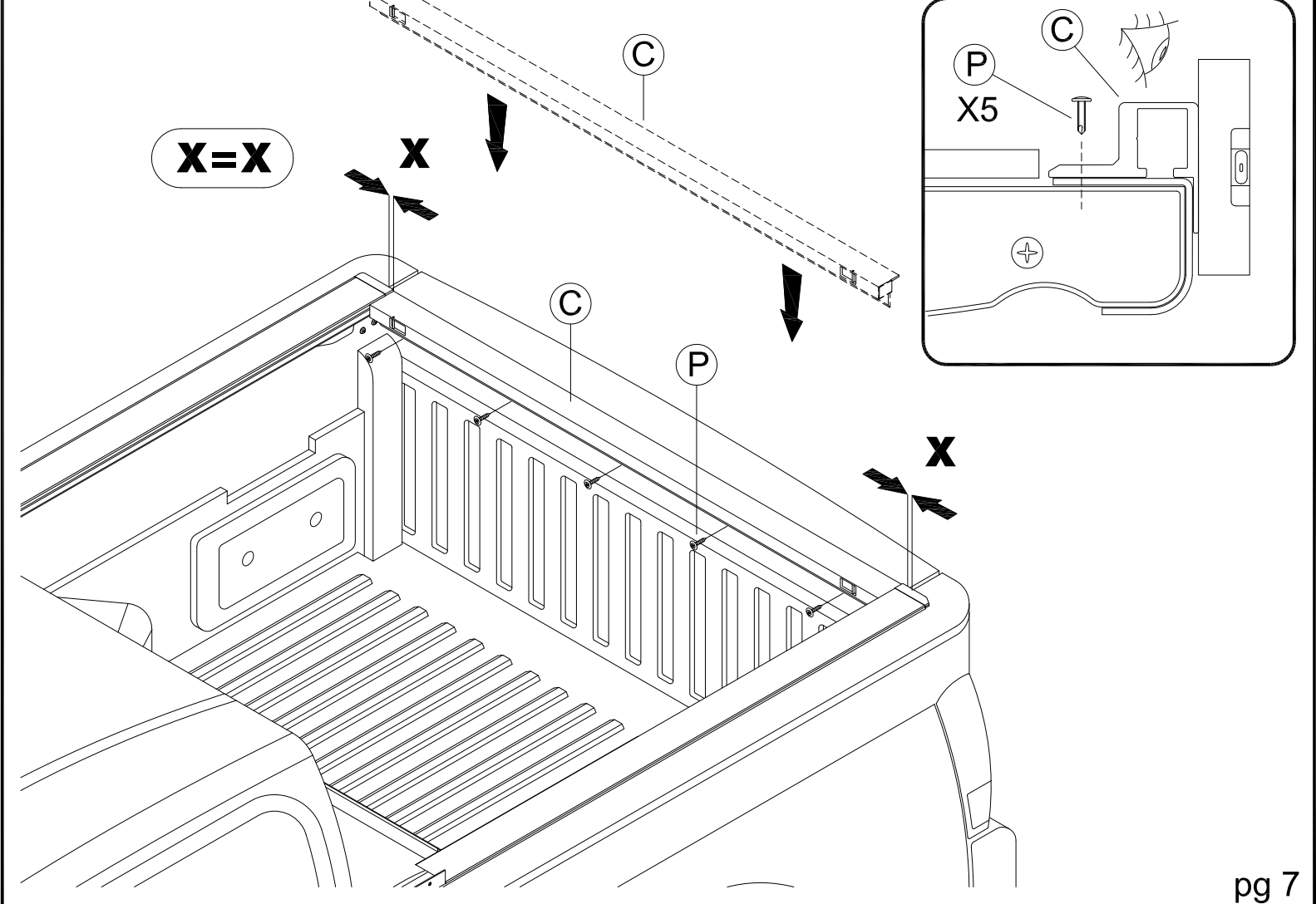
8 LHS = RHS



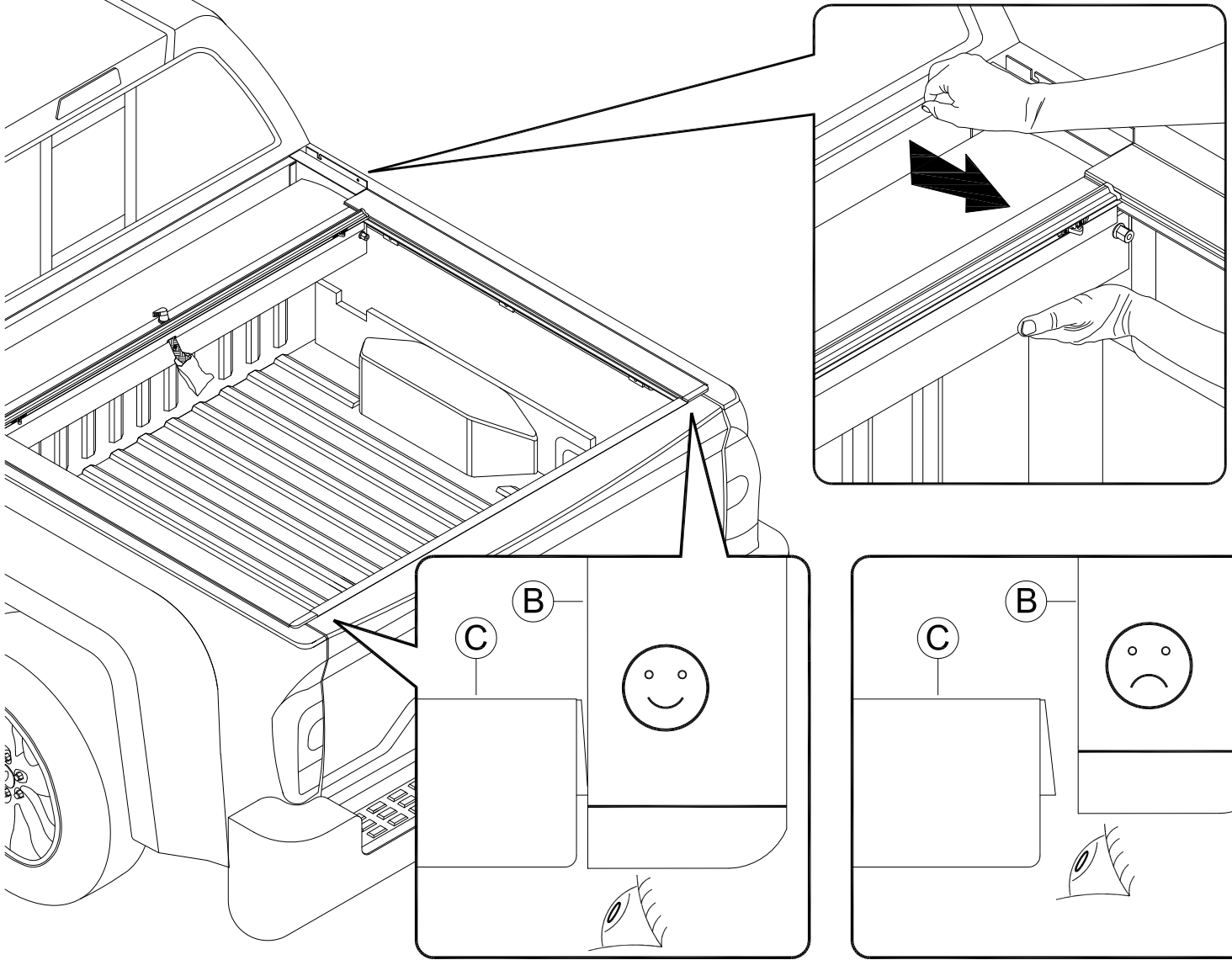
9 LHS = RHS



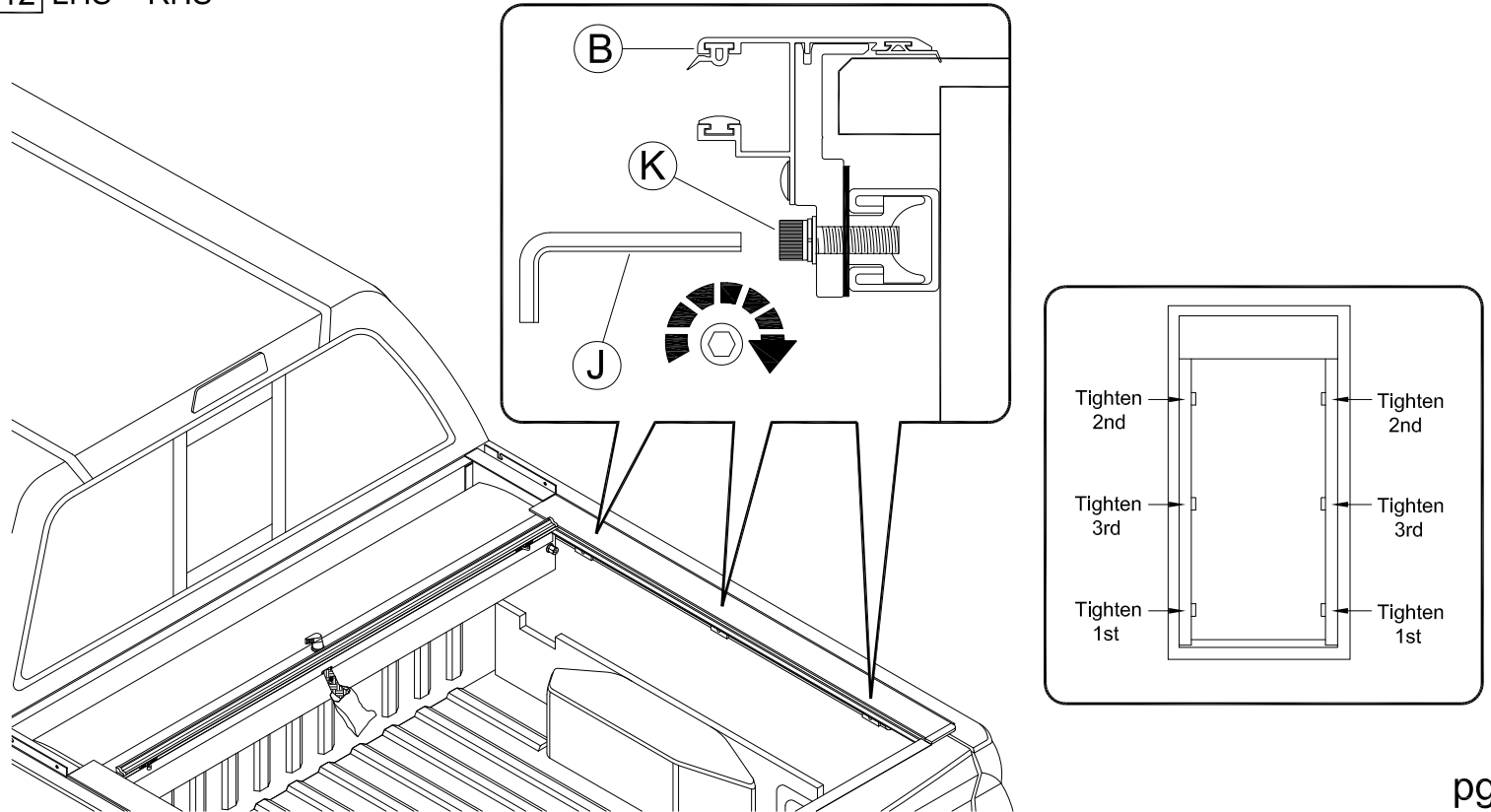
10



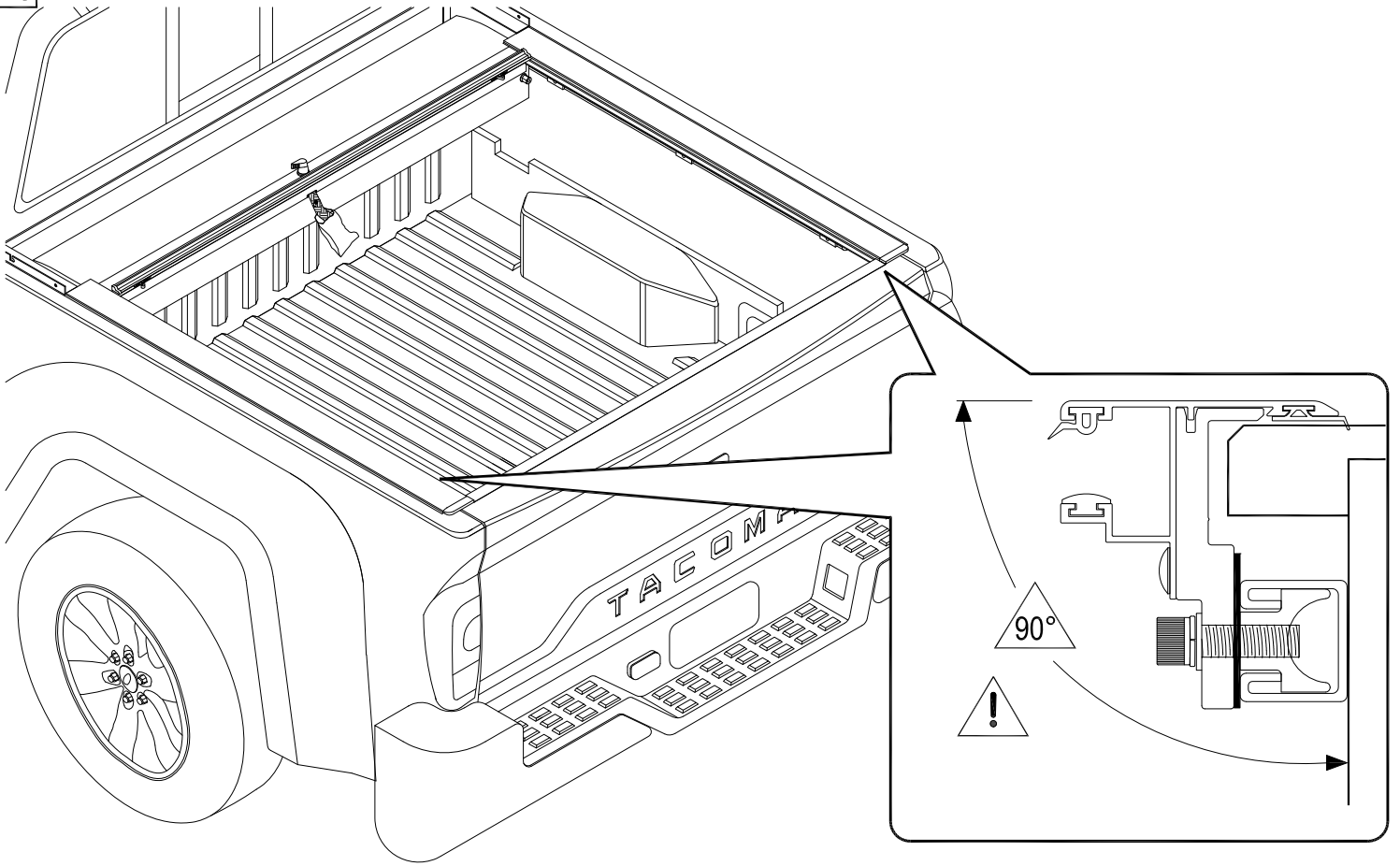
11 LHS = RHS



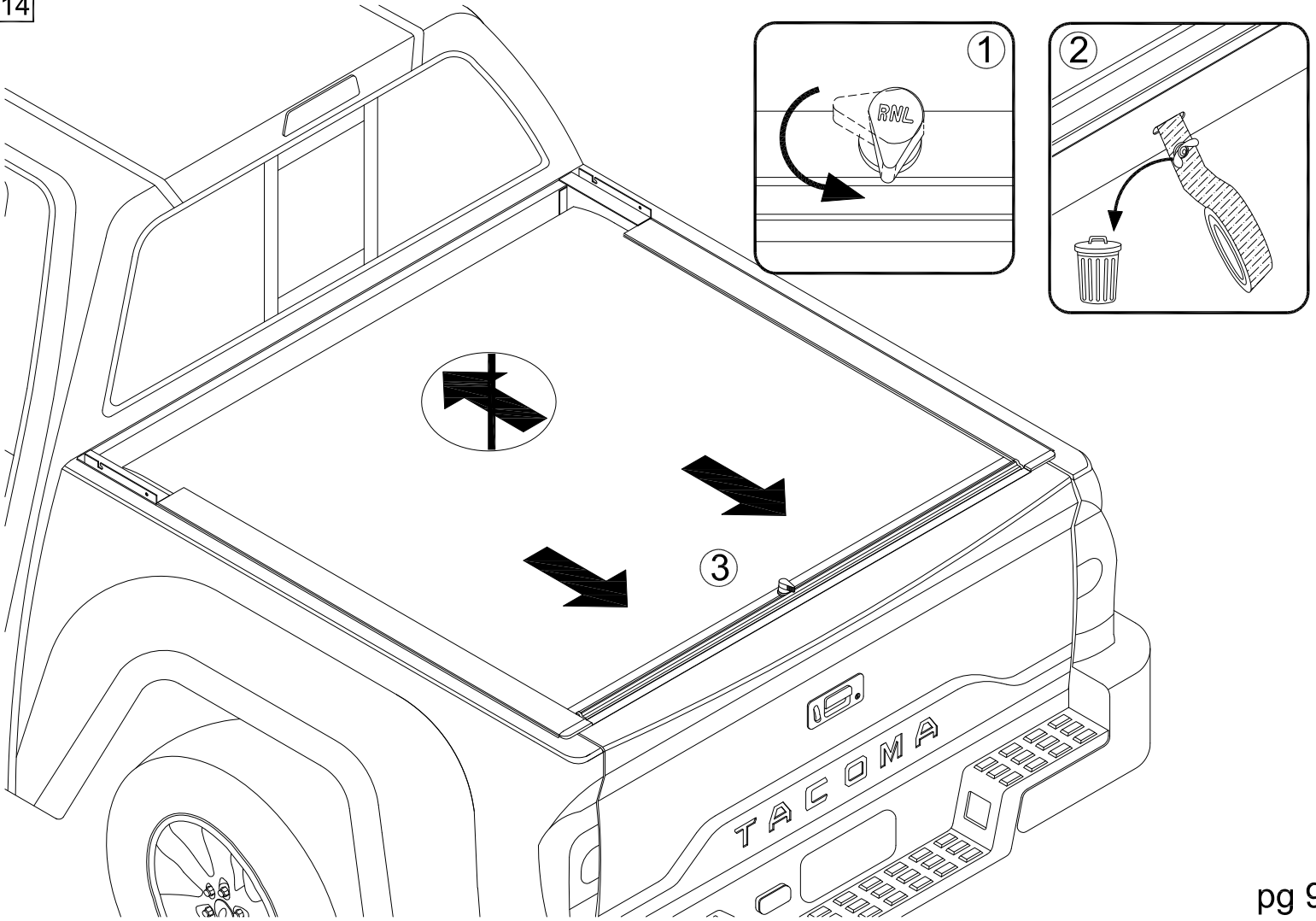
12 LHS = RHS



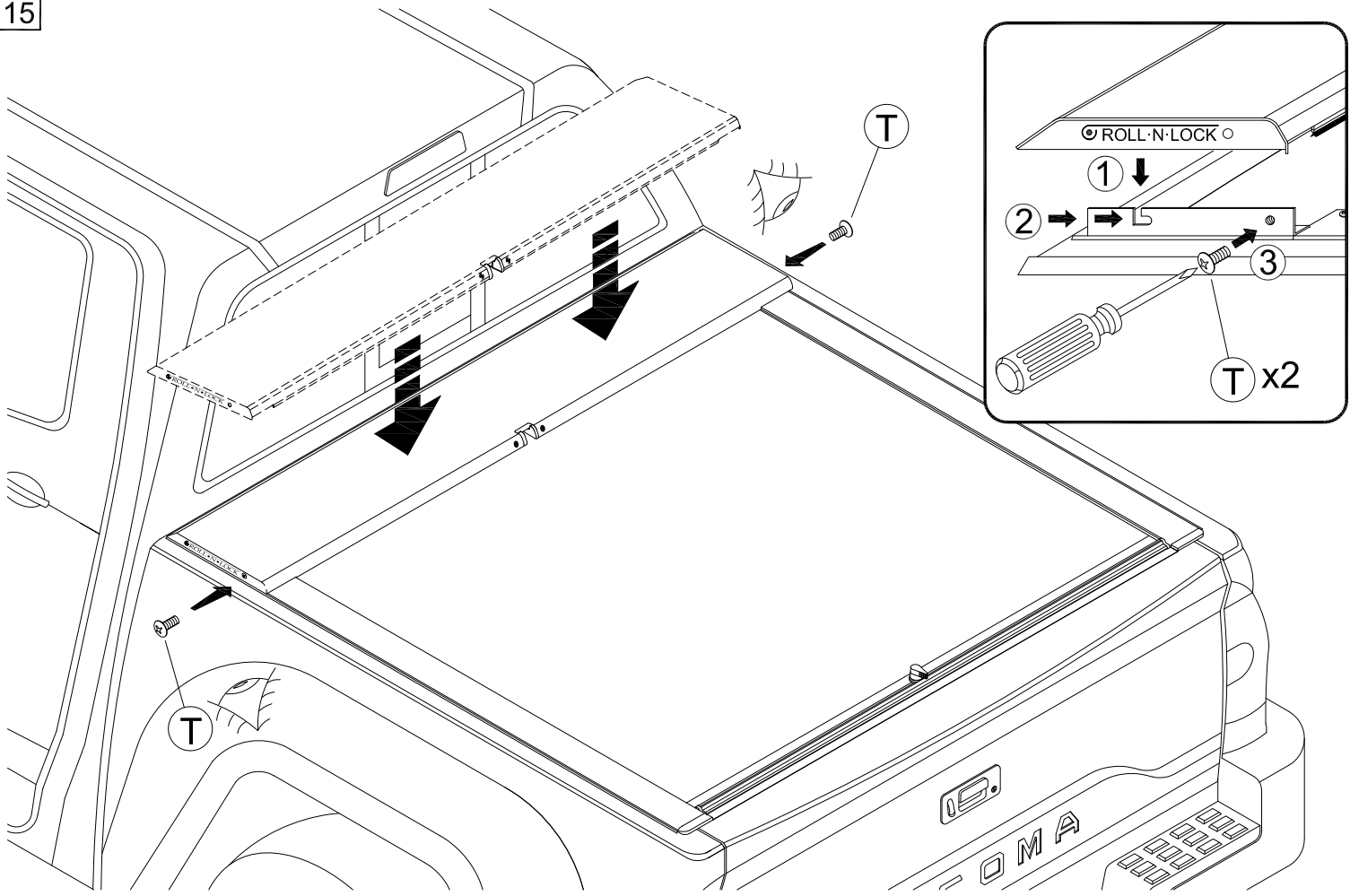
13 LHS = RHS



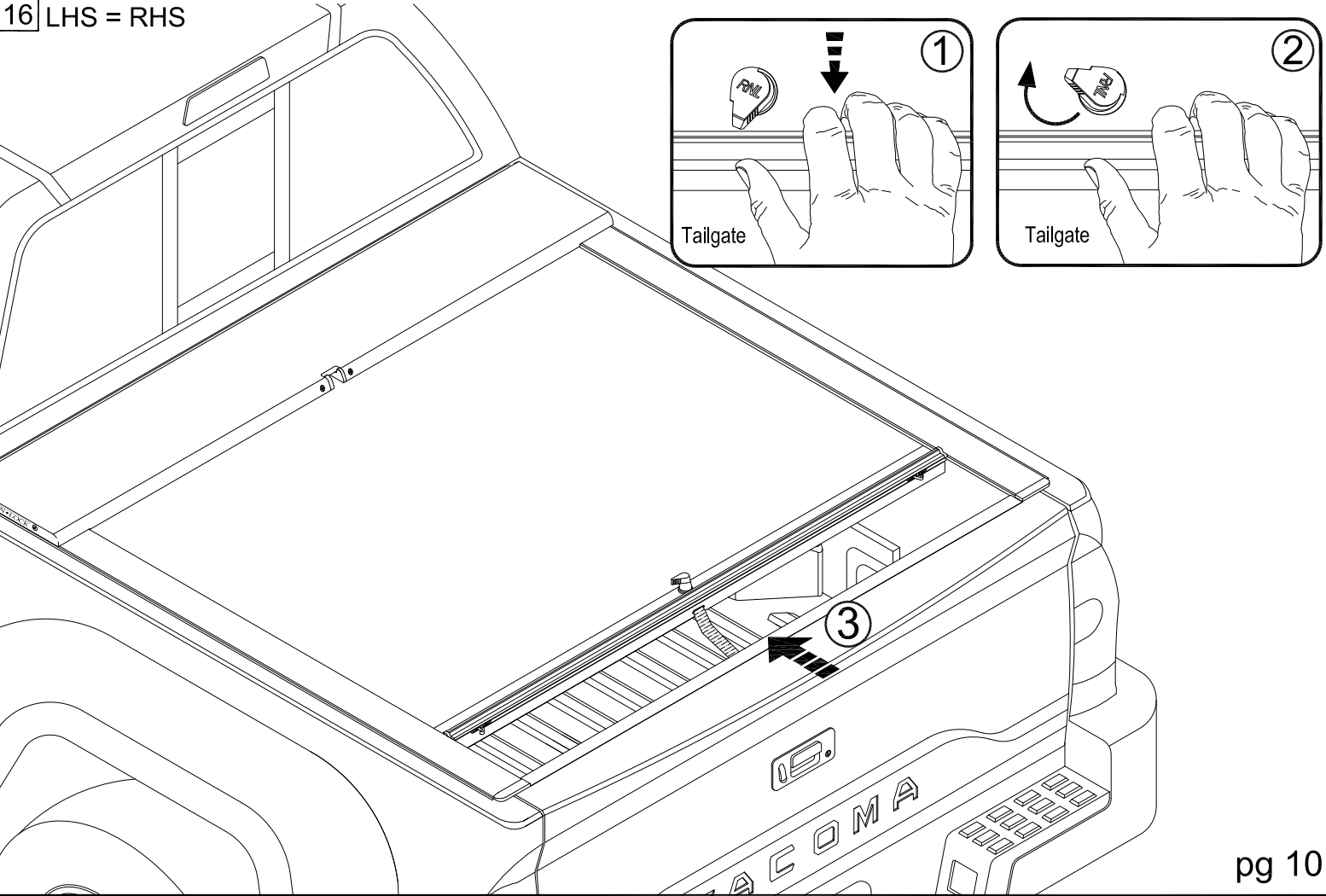
14



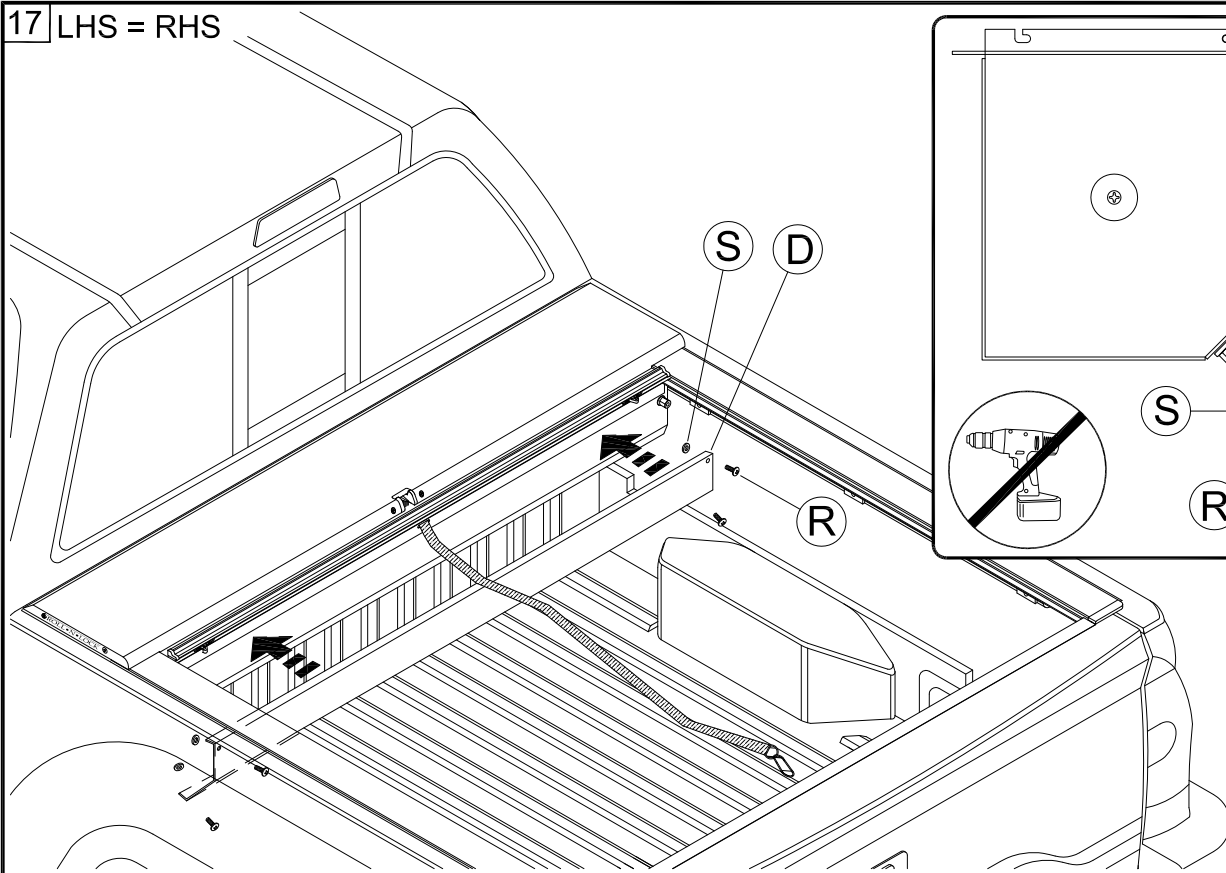
15



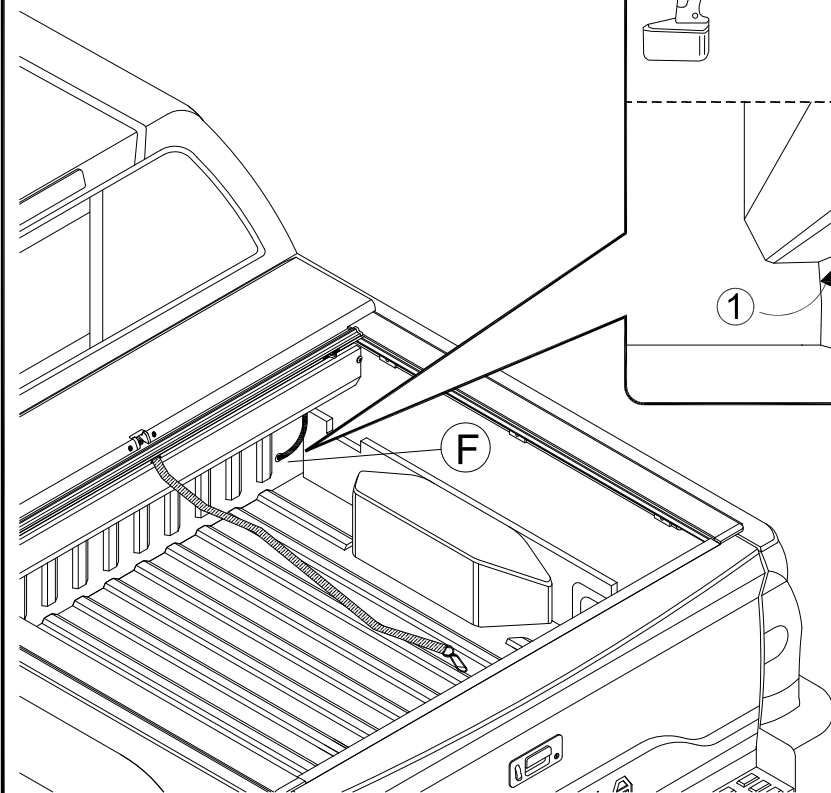
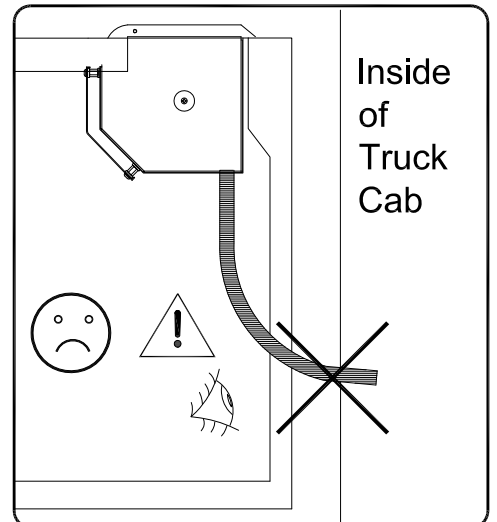
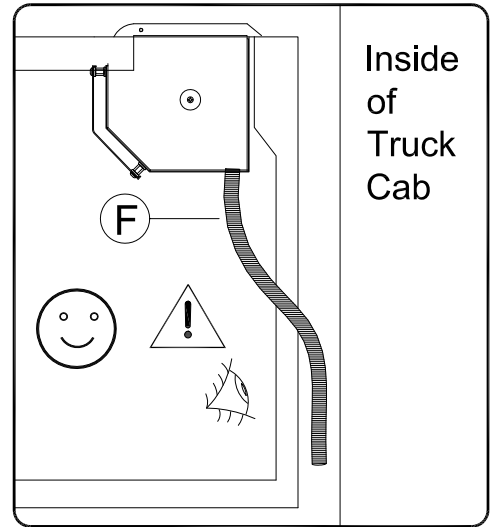
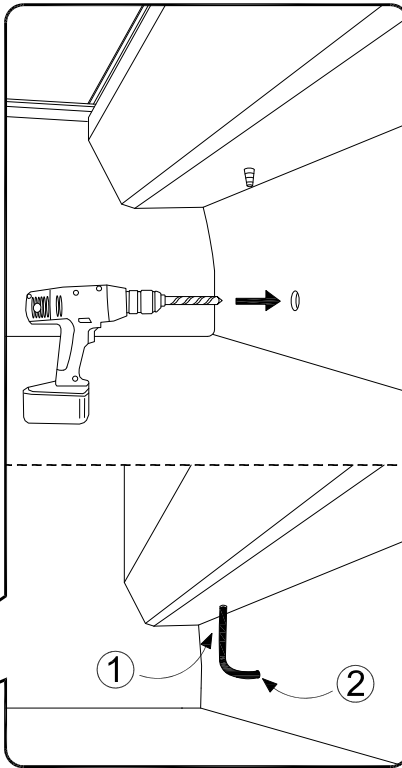
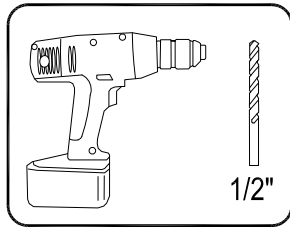
16 LHS = RHS



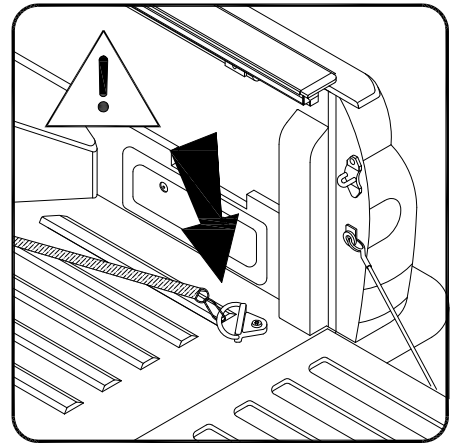
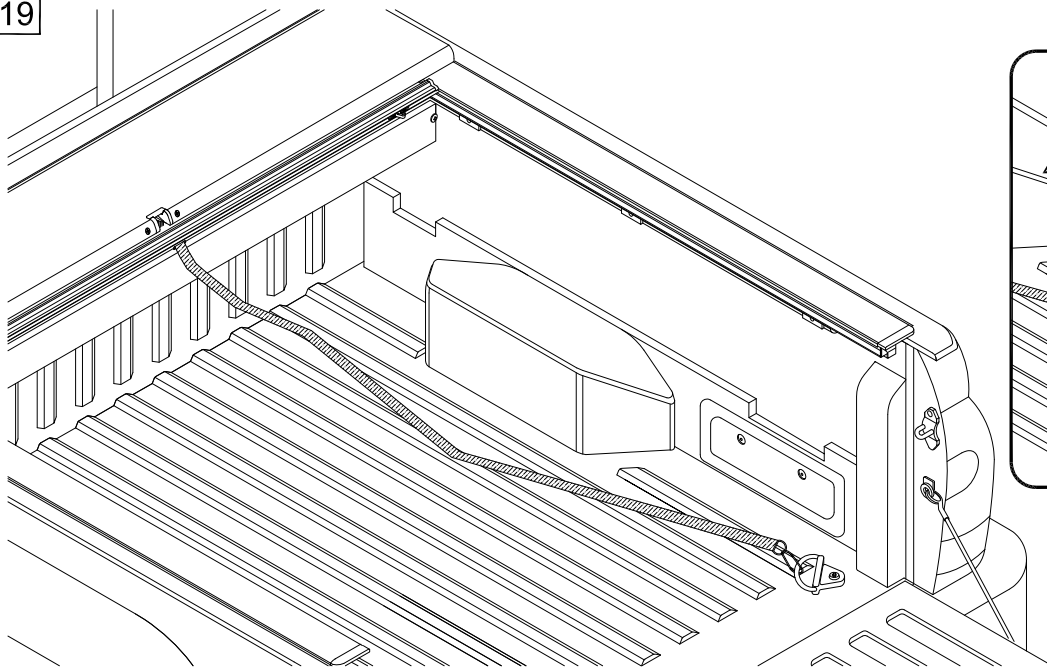
17 LHS = RHS



18 LHS = RHS



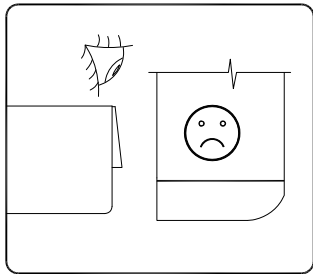
19



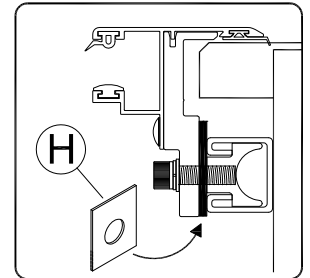
20

Trouble Shooting

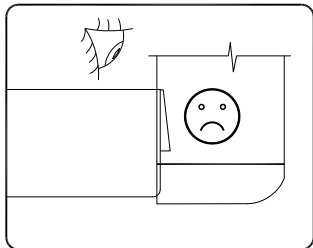
Gap between the track and tailgate extrusion.



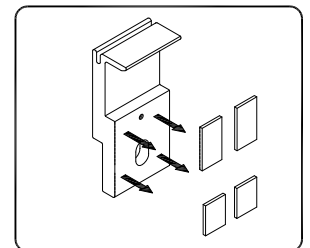
Add supplied shim to rear clamp.



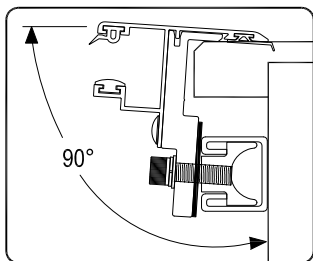
Track hits the tailgate extrusion.



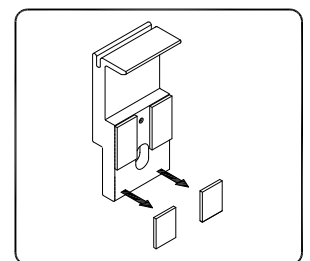
Remove all shims from rear clamps.



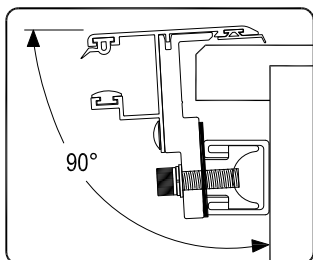
Track tips up.



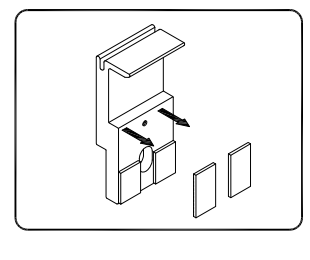
Remove bottom shims from rear clamps.



Track tips down.



Remove top shims from rear clamps.



When it comes to quality tonneau covers, Roll-N-Lock is the brand you can depend on.