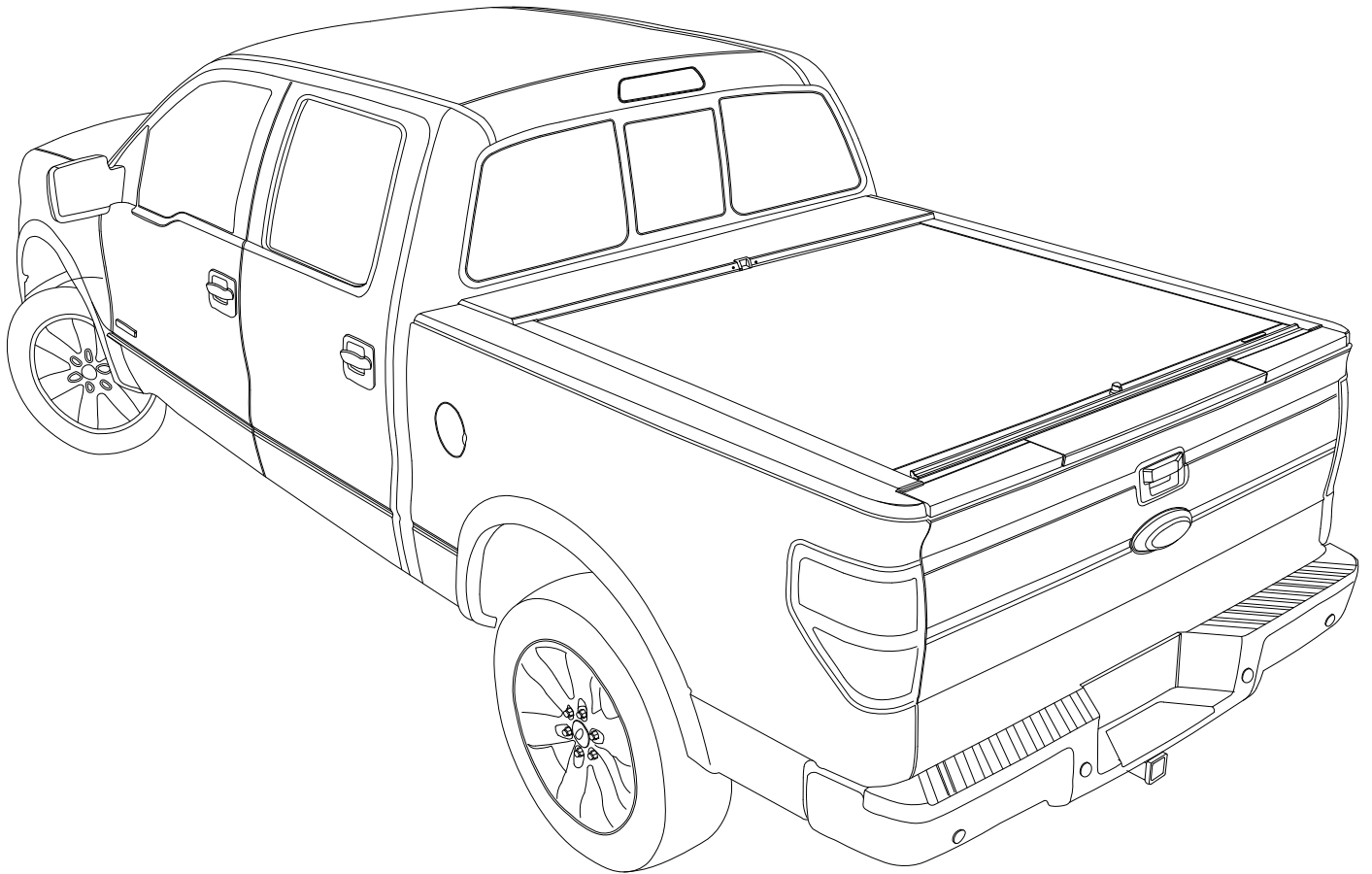




# Installation Guide

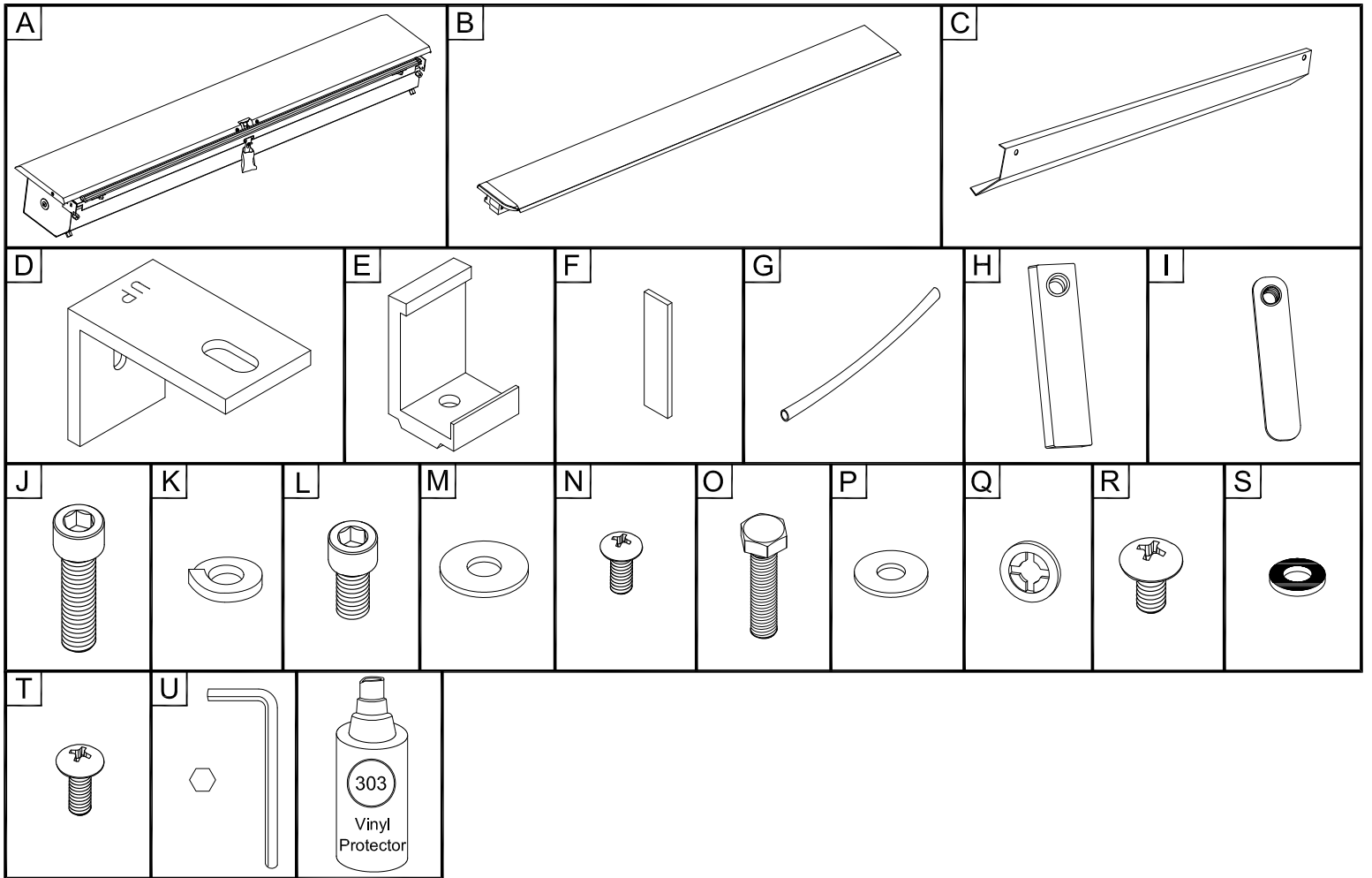
## Ford F-250



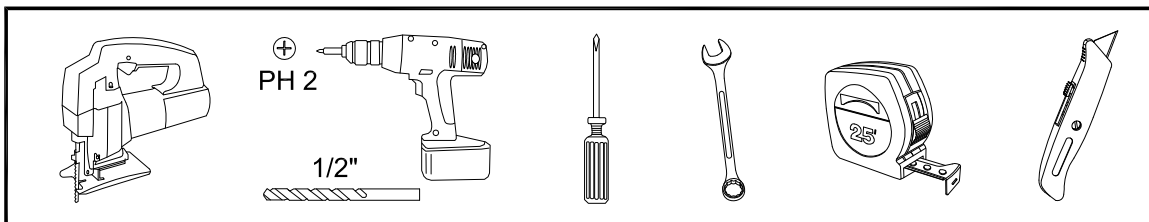
Product Code  
151-152

# Parts List

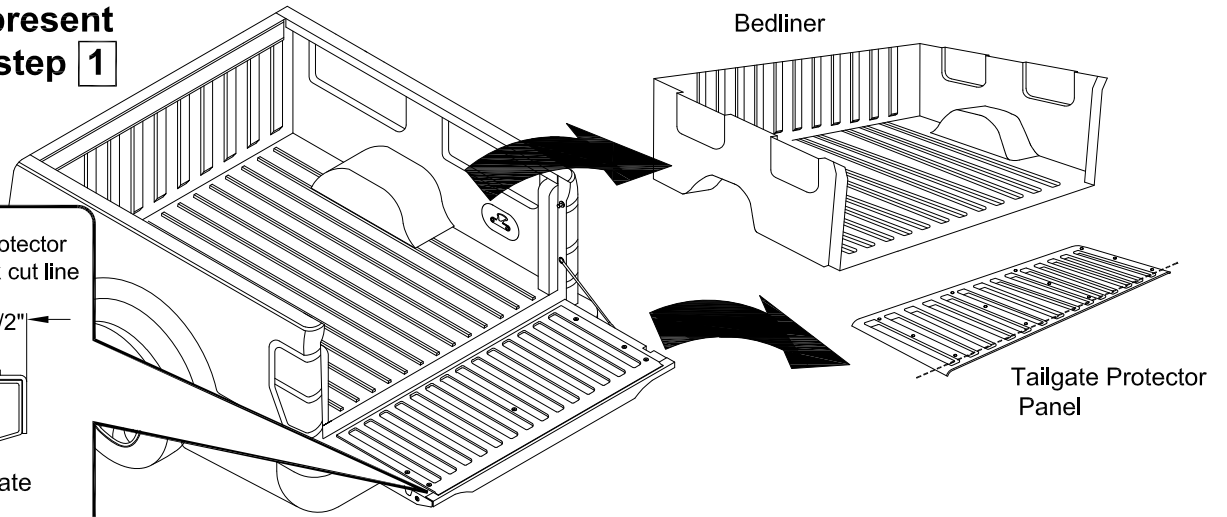
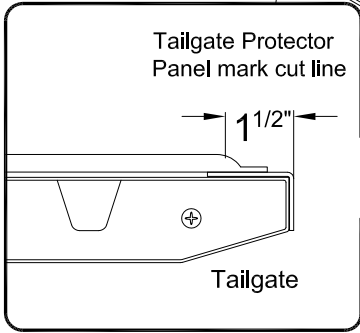
Item	Part Name	Qty.	Item	Part Name	Qty.	Item	Part Name	Qty.
A	Housing	1	H	Tang	2	O	1/4"-20 x 1/4" Hex Head Bolt	2
B	Track	2	I	Cargo Nut	2	P	1/4" Flat Washer	2
C	Cargo Shield	1	J	5/16" x 1 1/4" Socket Cap Screw	4/6	Q	Nylon Retaining Washer	2
D	Track Angle	2	K	5/16" Lock Washer	6/8	R	1/4-20 x 3/8" Screw	4
E	Bed Clamps	4/6	L	5/16" x 3/4" Socket Cap Screw	2	S	Rubber Washer	4
F	Track Angle Shim	2	M	5/16" Flat Washer	2	T	1/4" Lid Screw	2
G	Drain Tube	2	N	#10-24 x 3/4" Screw	2	U	Allen Wrench (1/4")	1



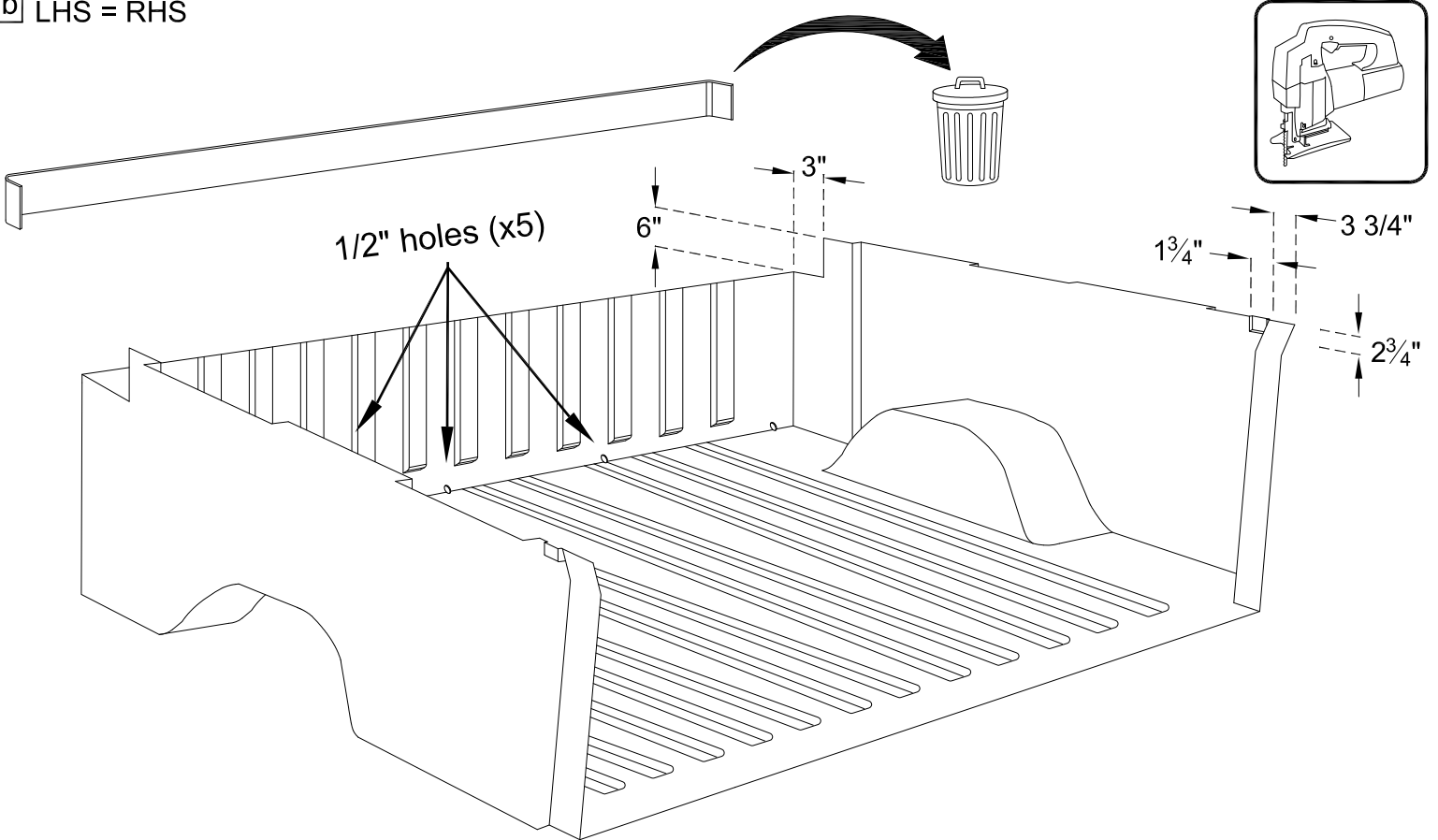
## Tools Needed



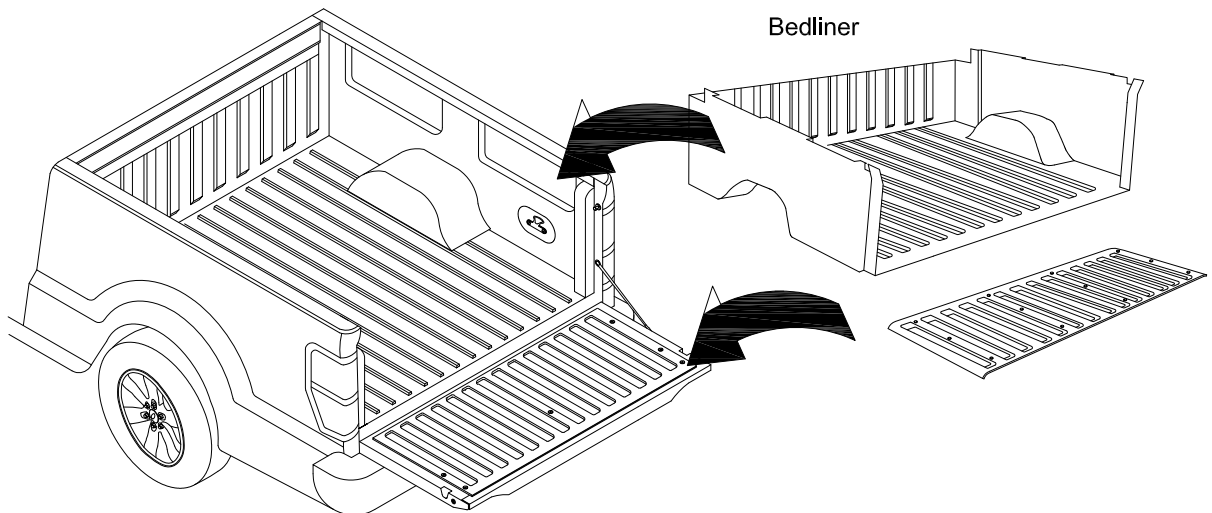
1a **If no bedliner present go to page 4 - step 1**



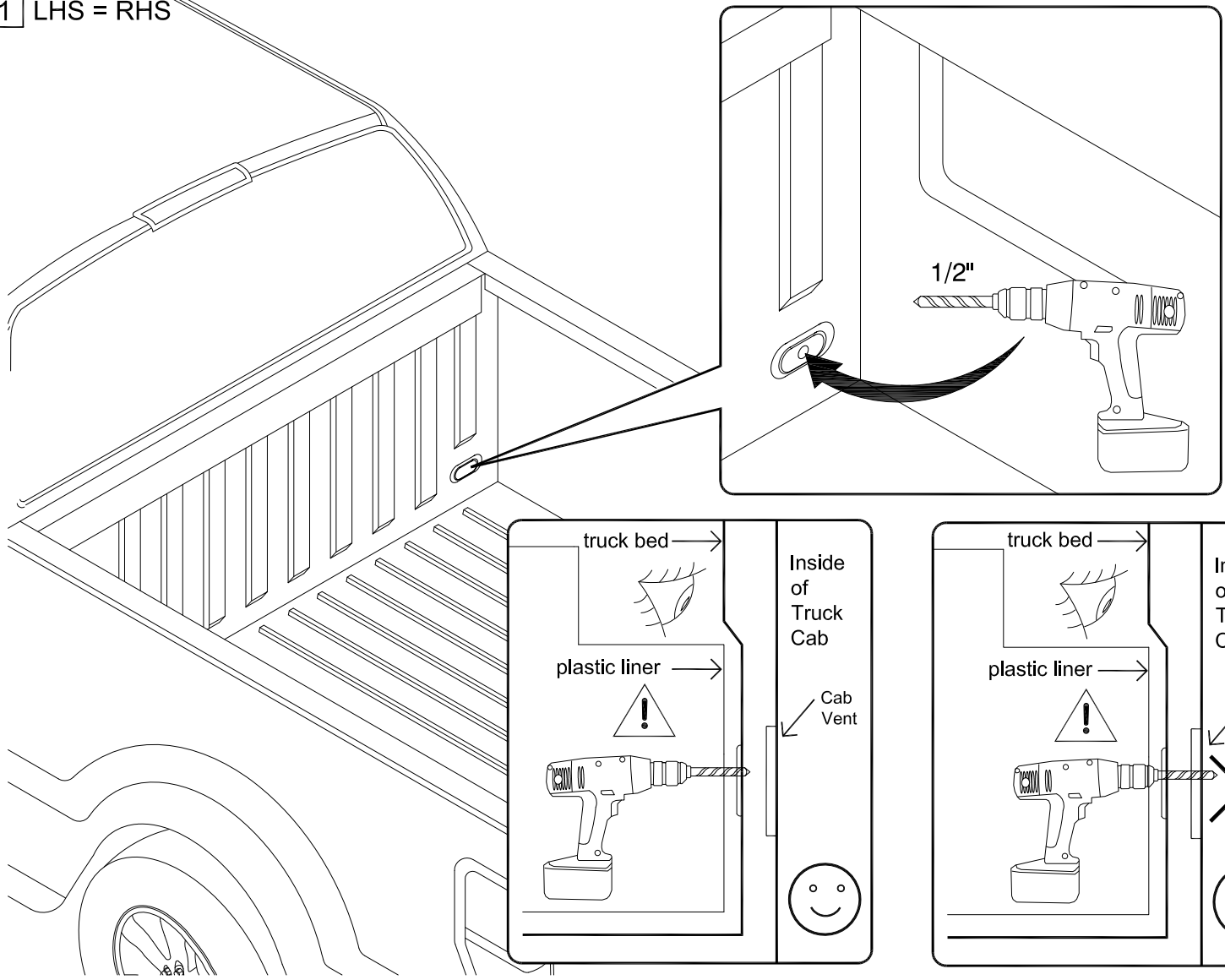
1b LHS = RHS



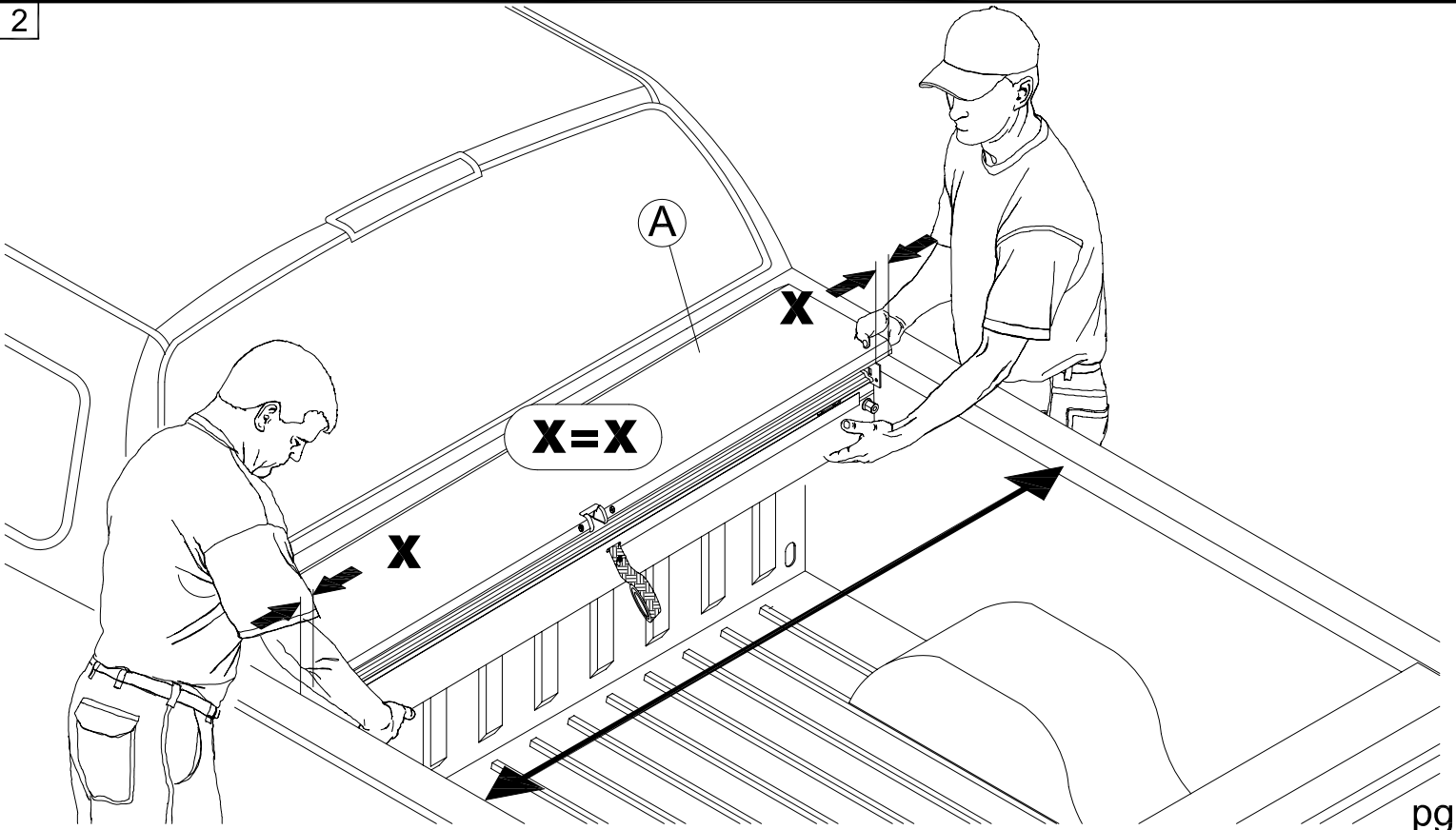
1c



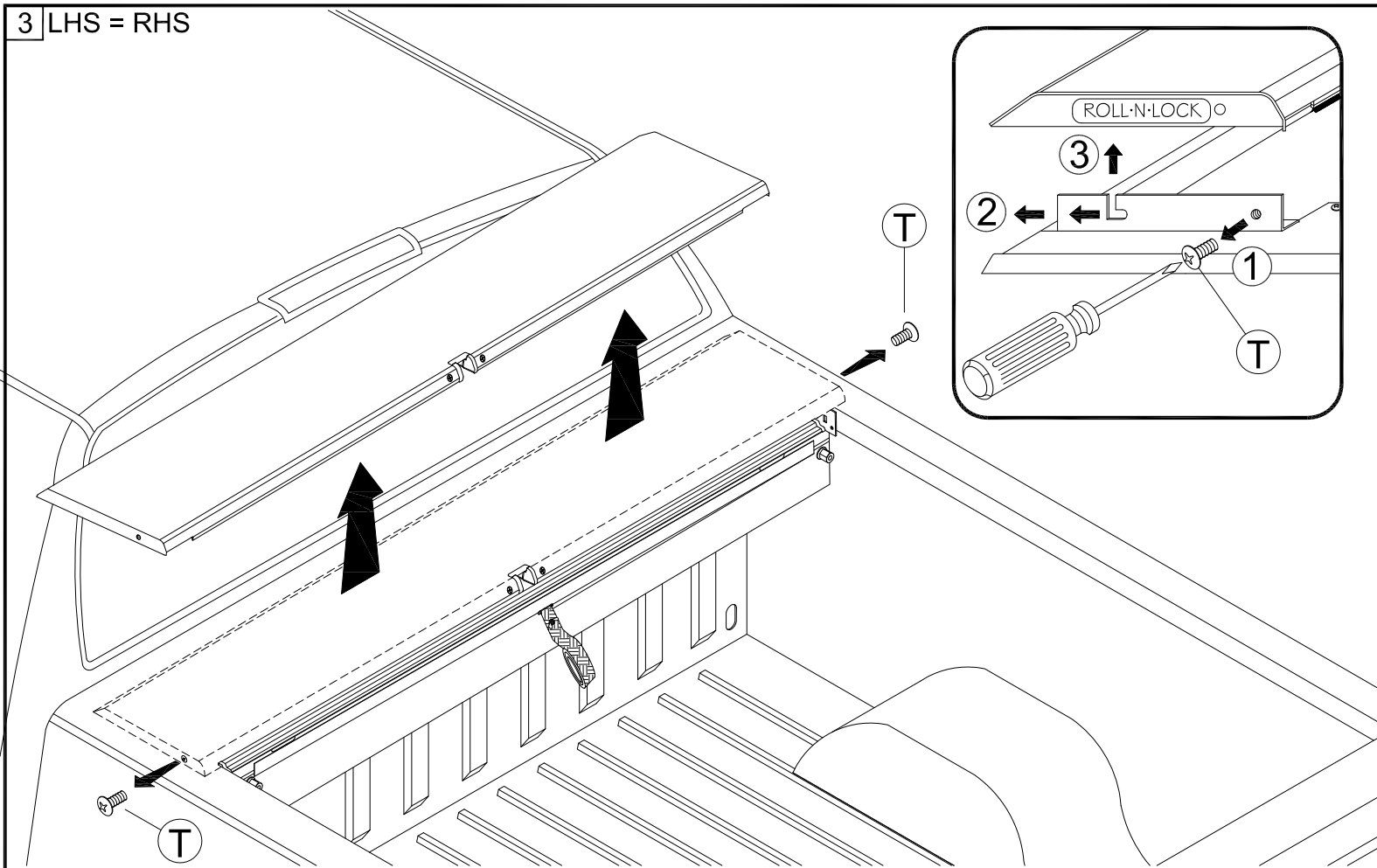
1 LHS = RHS



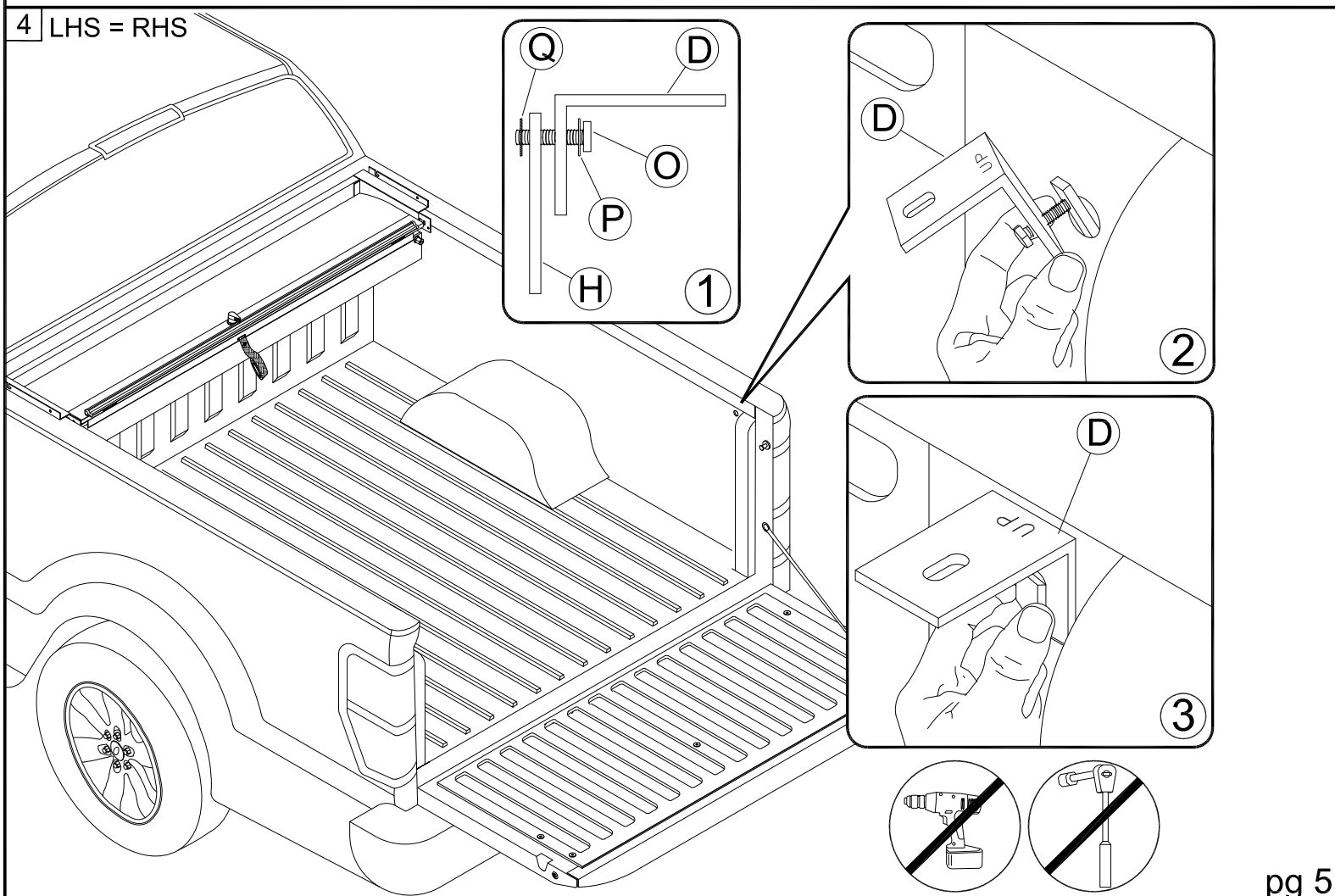
2



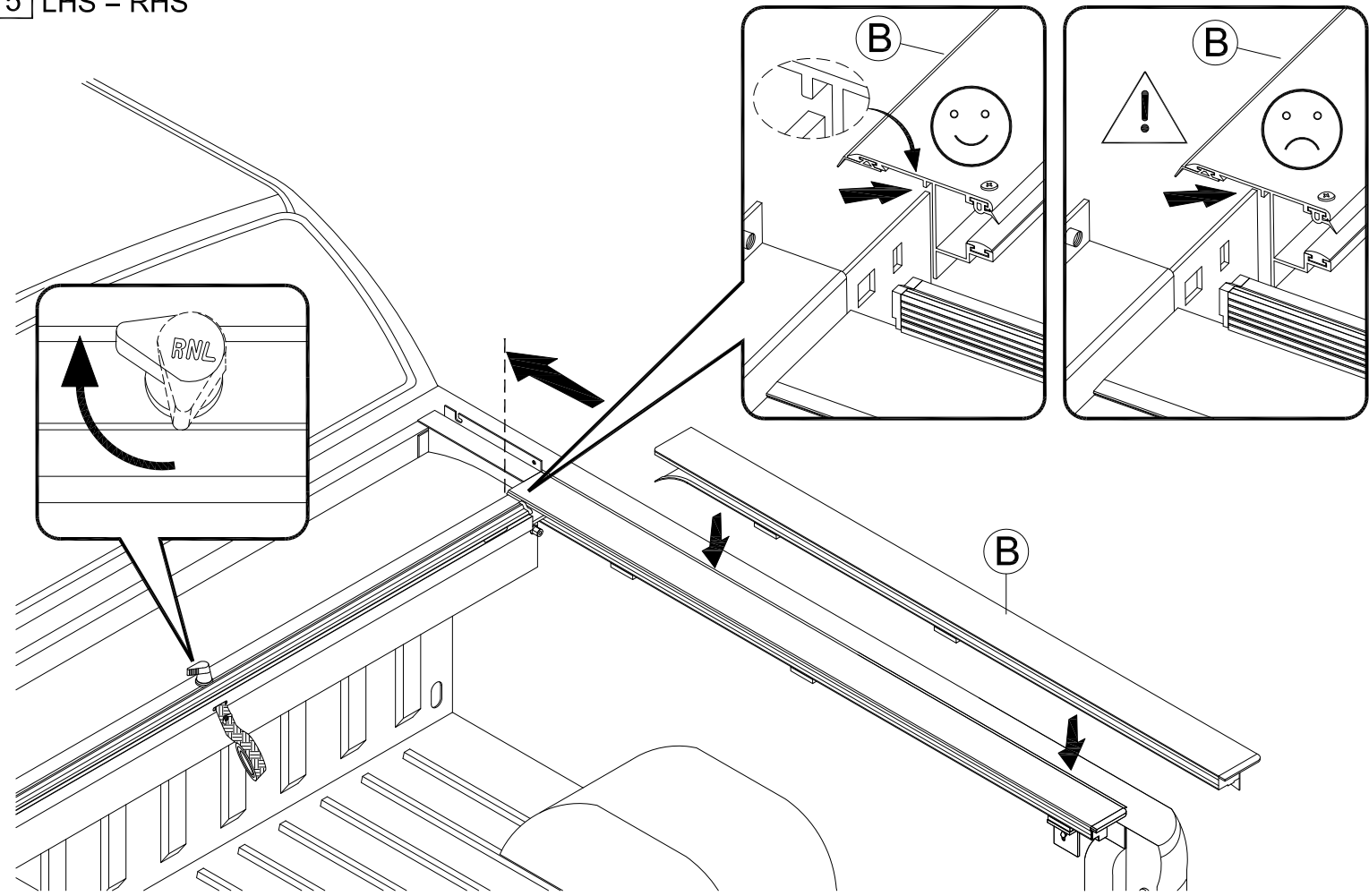
3 LHS = RHS



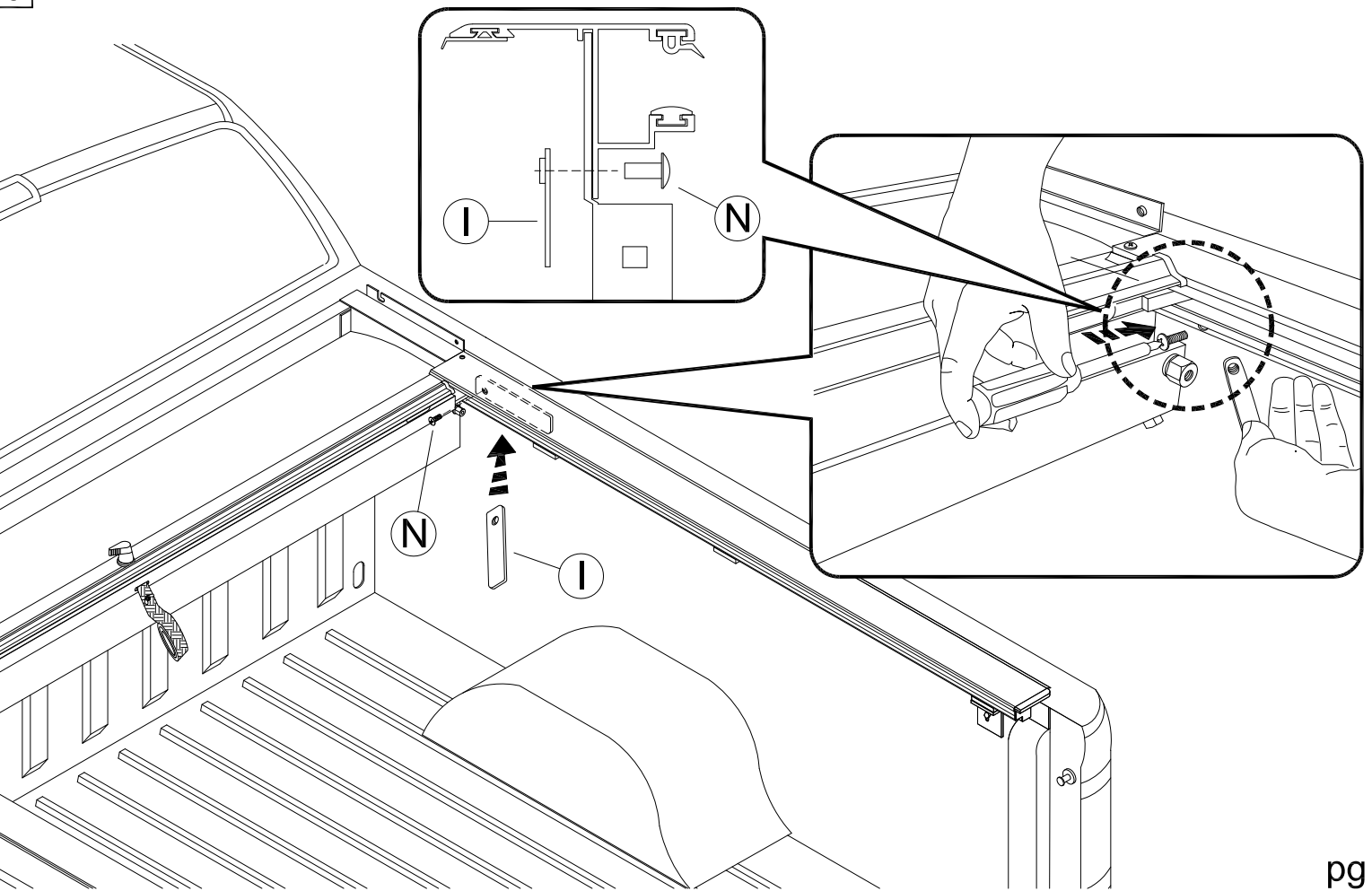
4 LHS = RHS



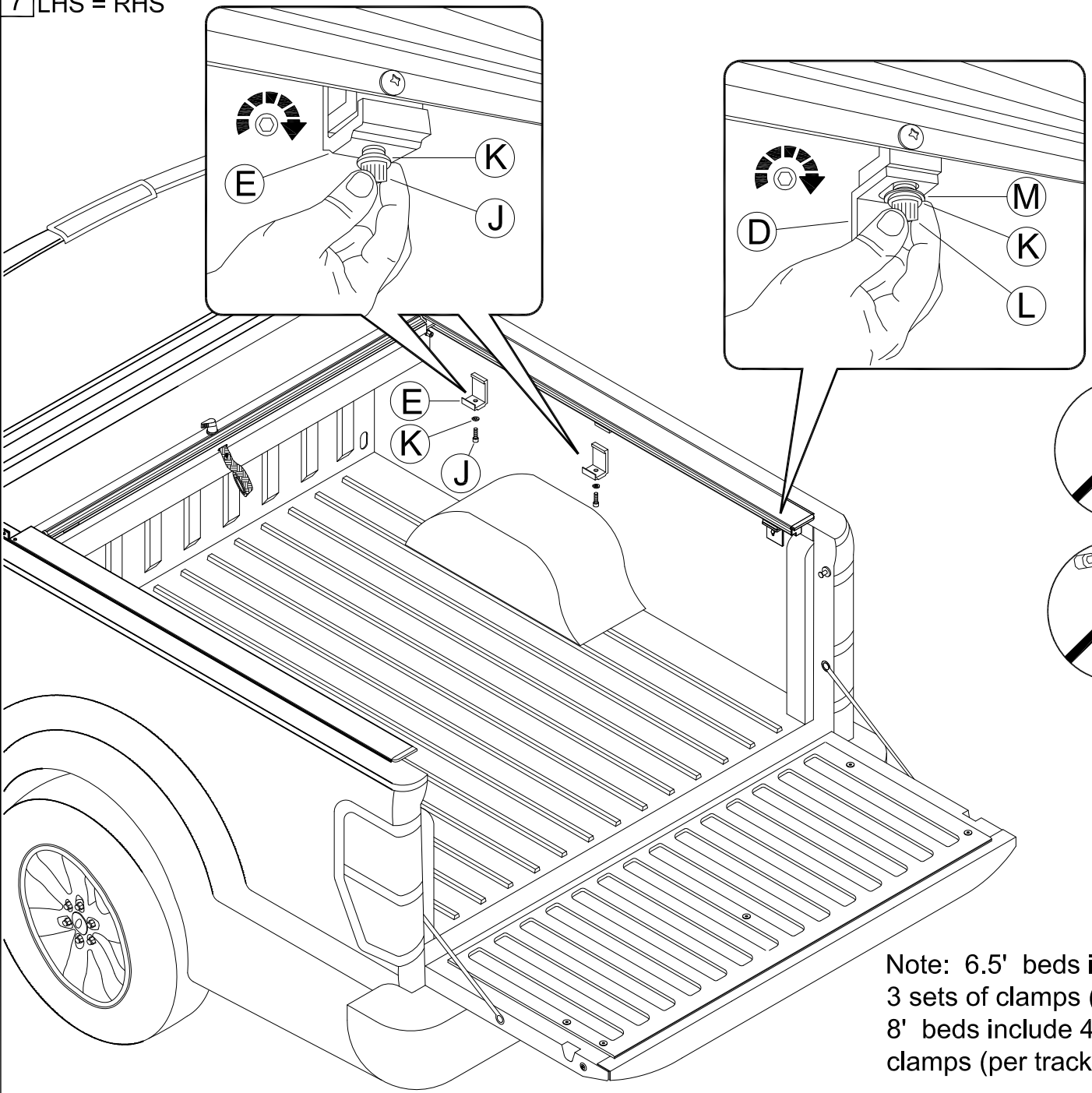
5 LHS = RHS



6 LHS = RHS

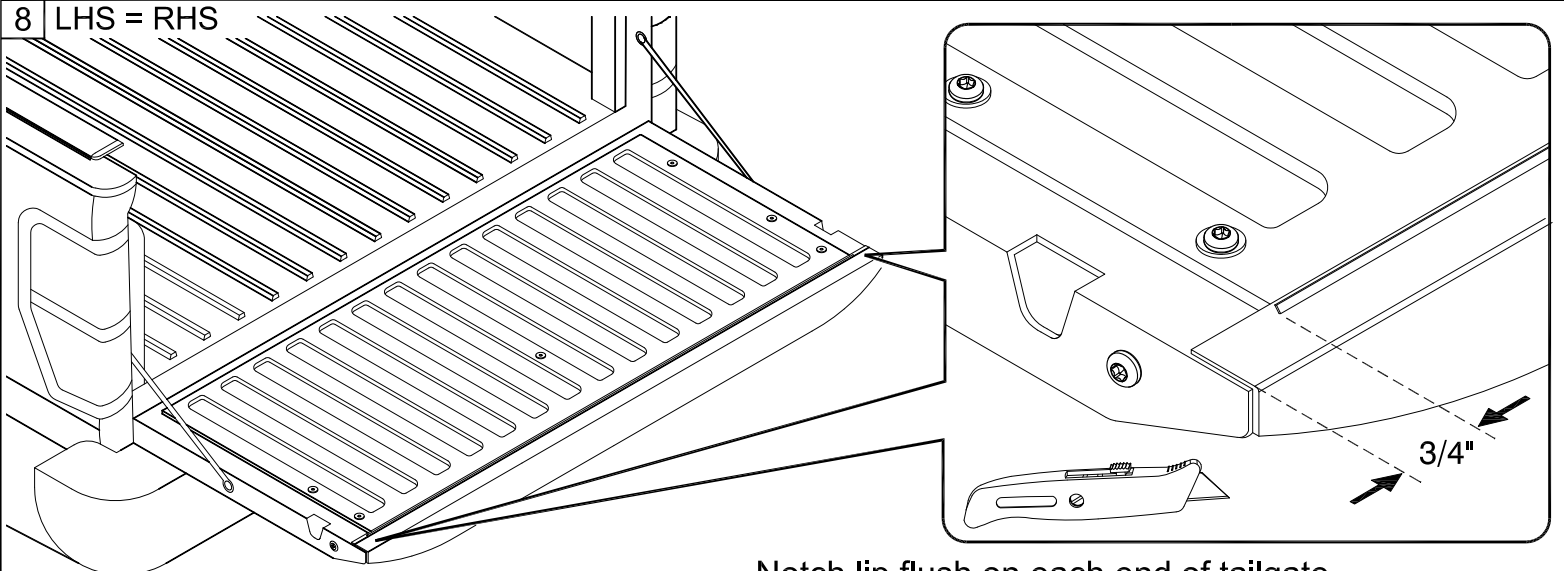


7 LHS = RHS



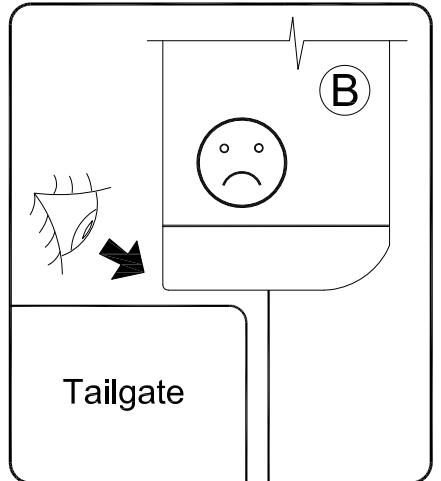
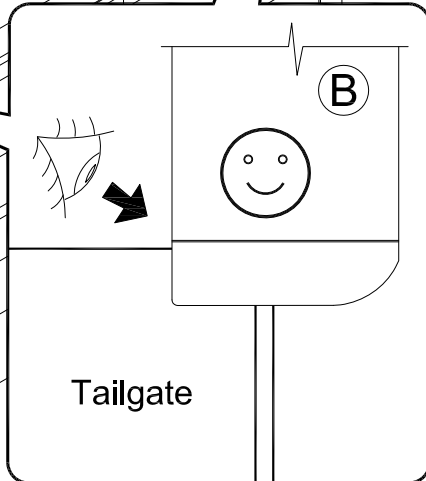
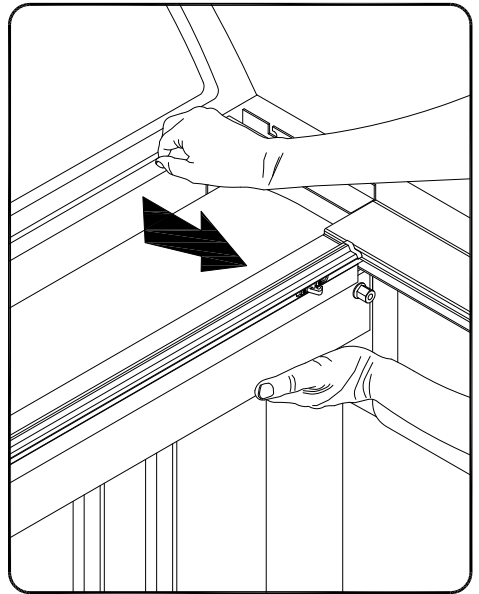
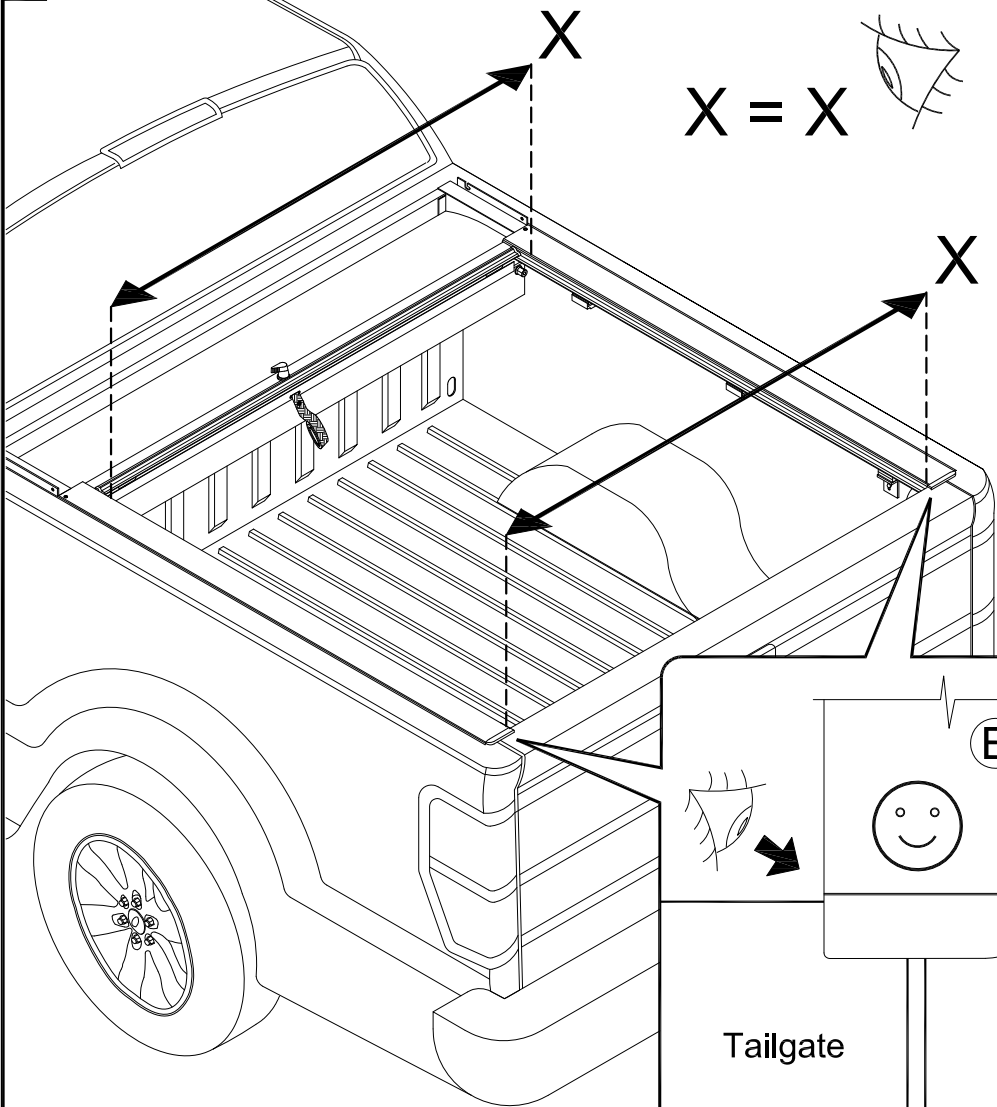
Note: 6.5' beds include 3 sets of clamps (per track)  
8' beds include 4 sets of clamps (per track)

8 LHS = RHS

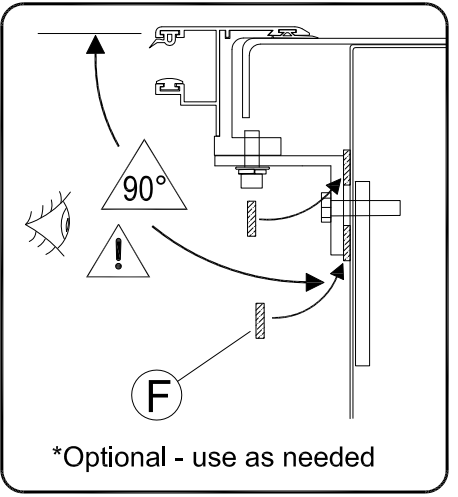
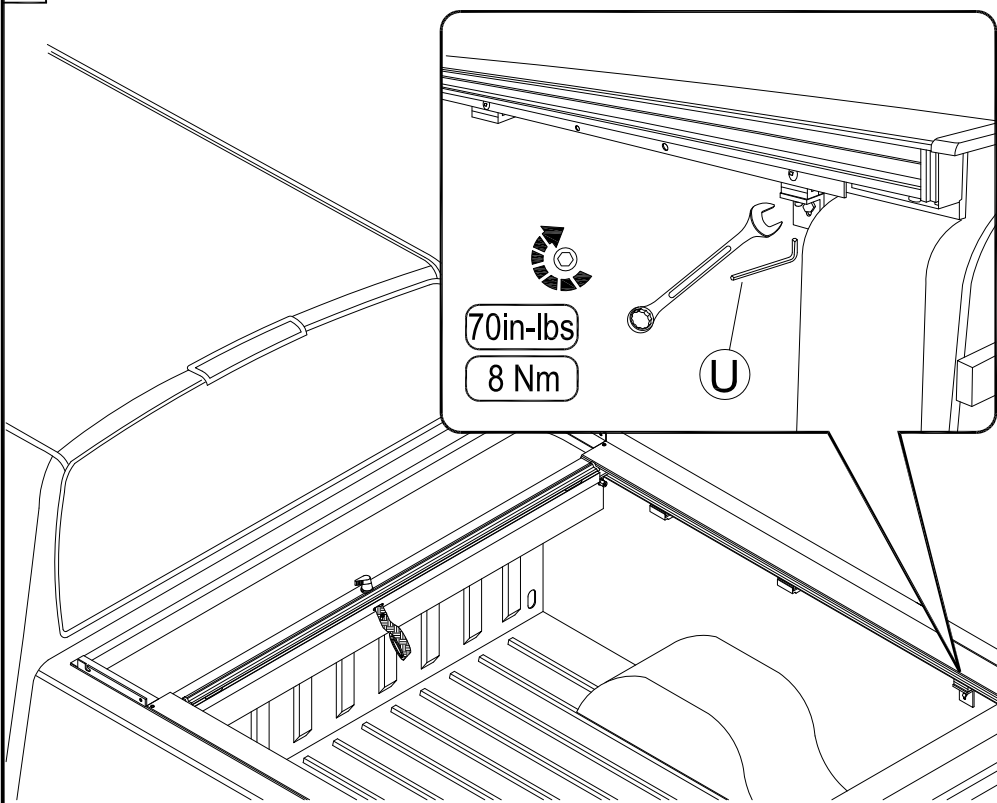


Notch lip flush on each end of tailgate.

9 LHS = RHS

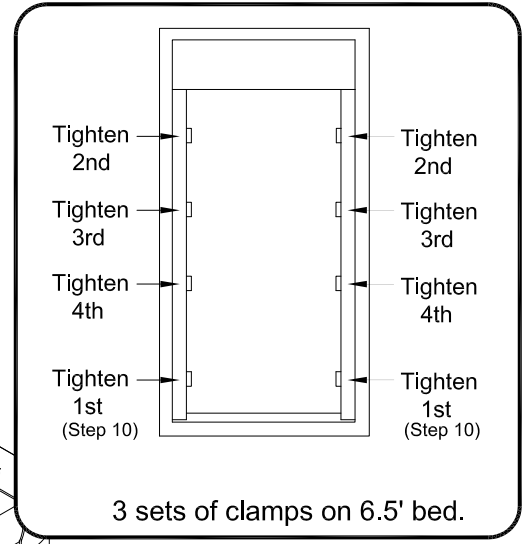
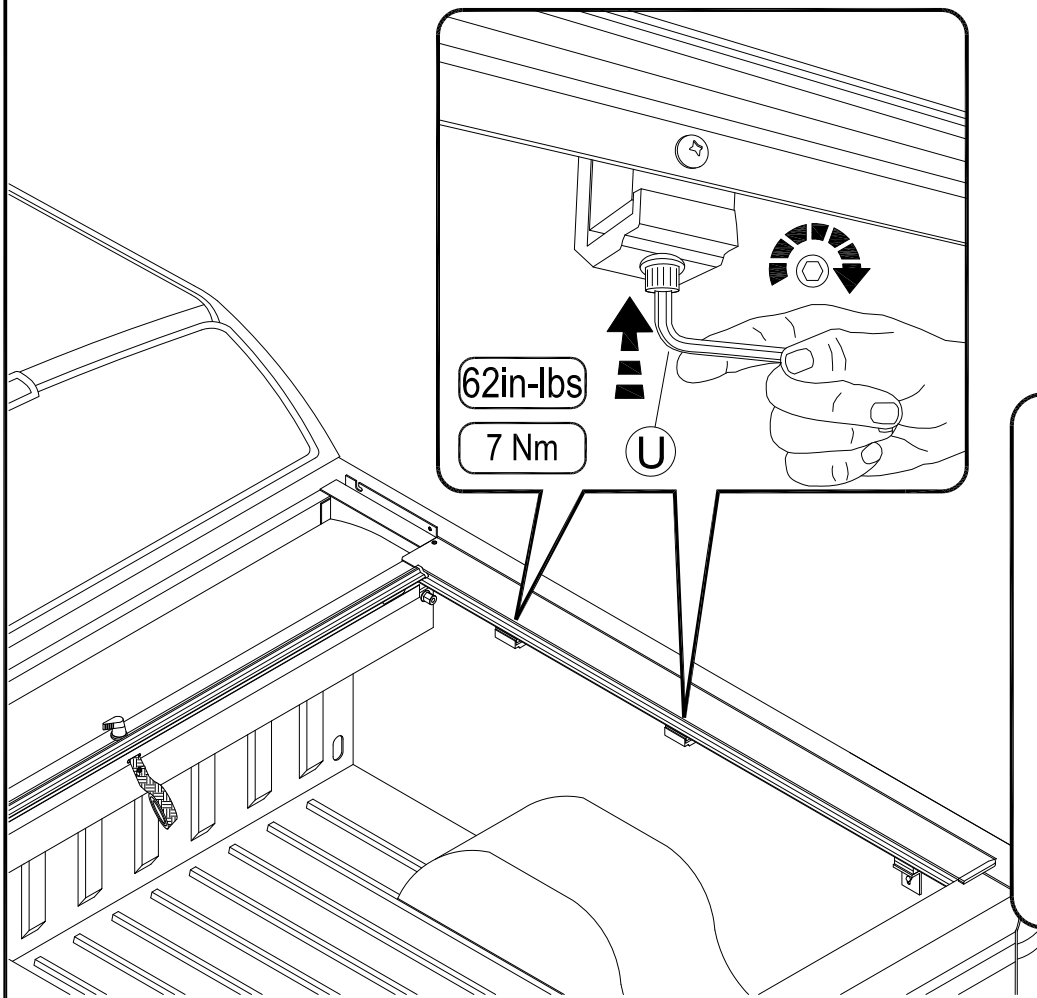


10 LHS = RHS

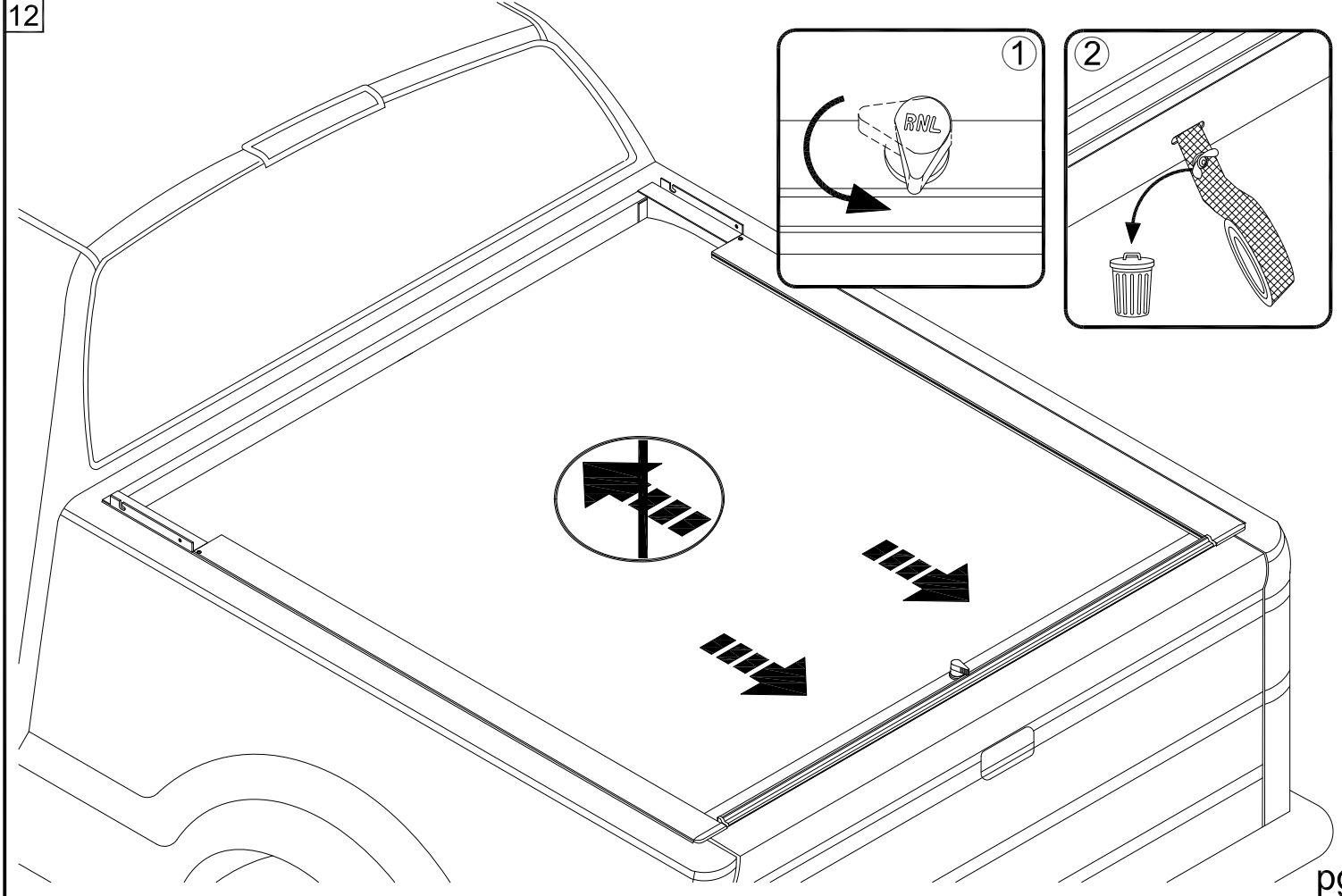




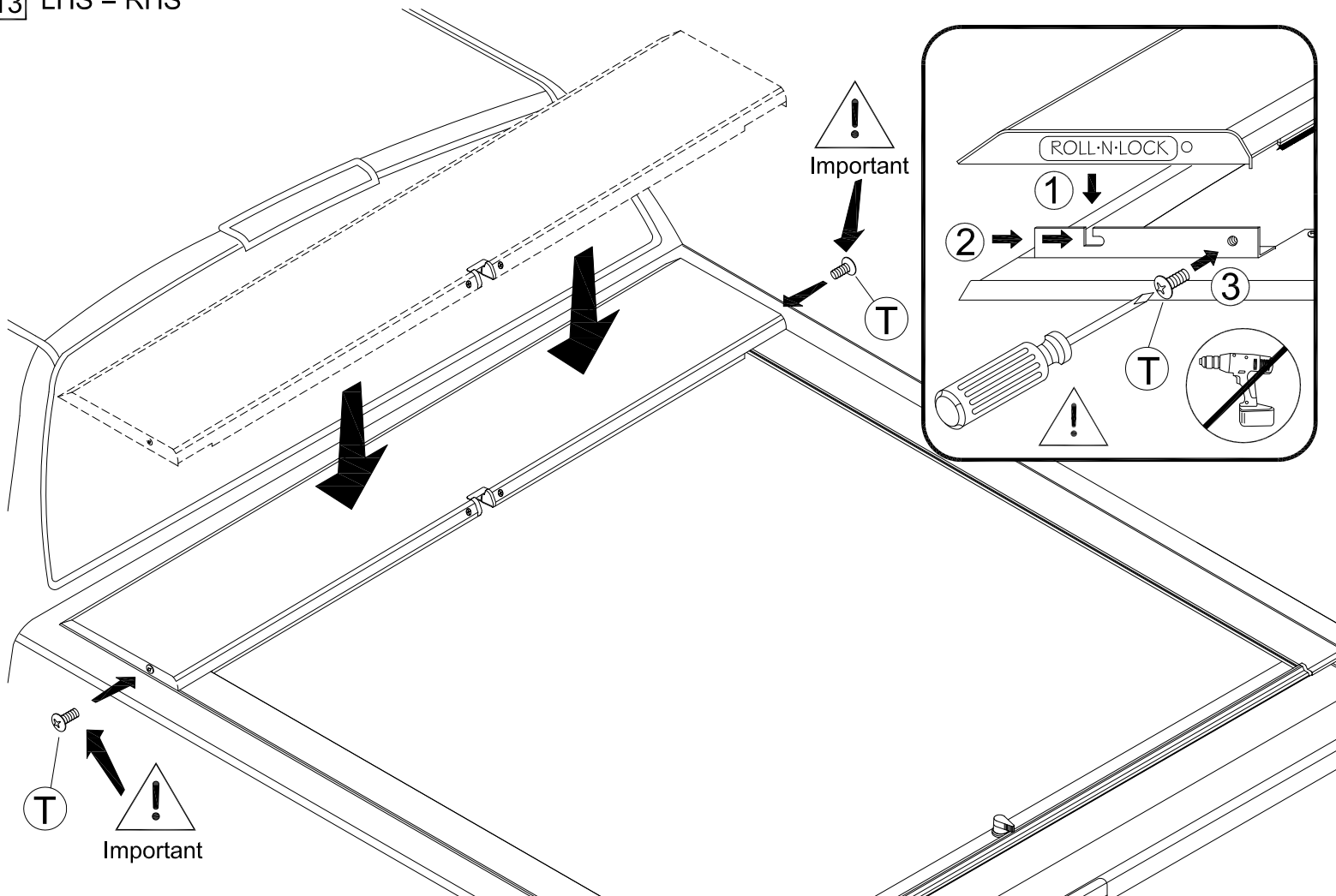
11 LHS = RHS



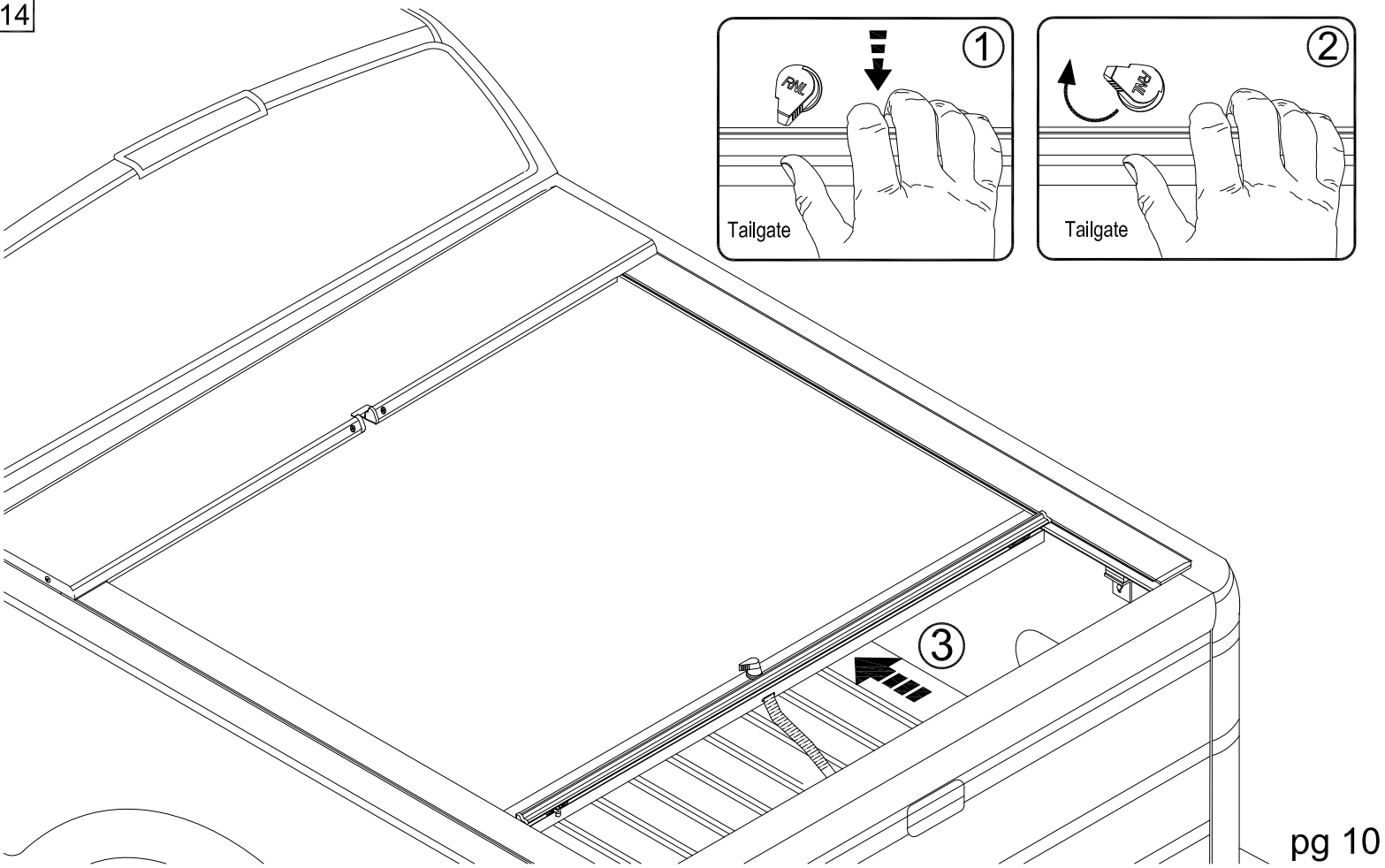
12



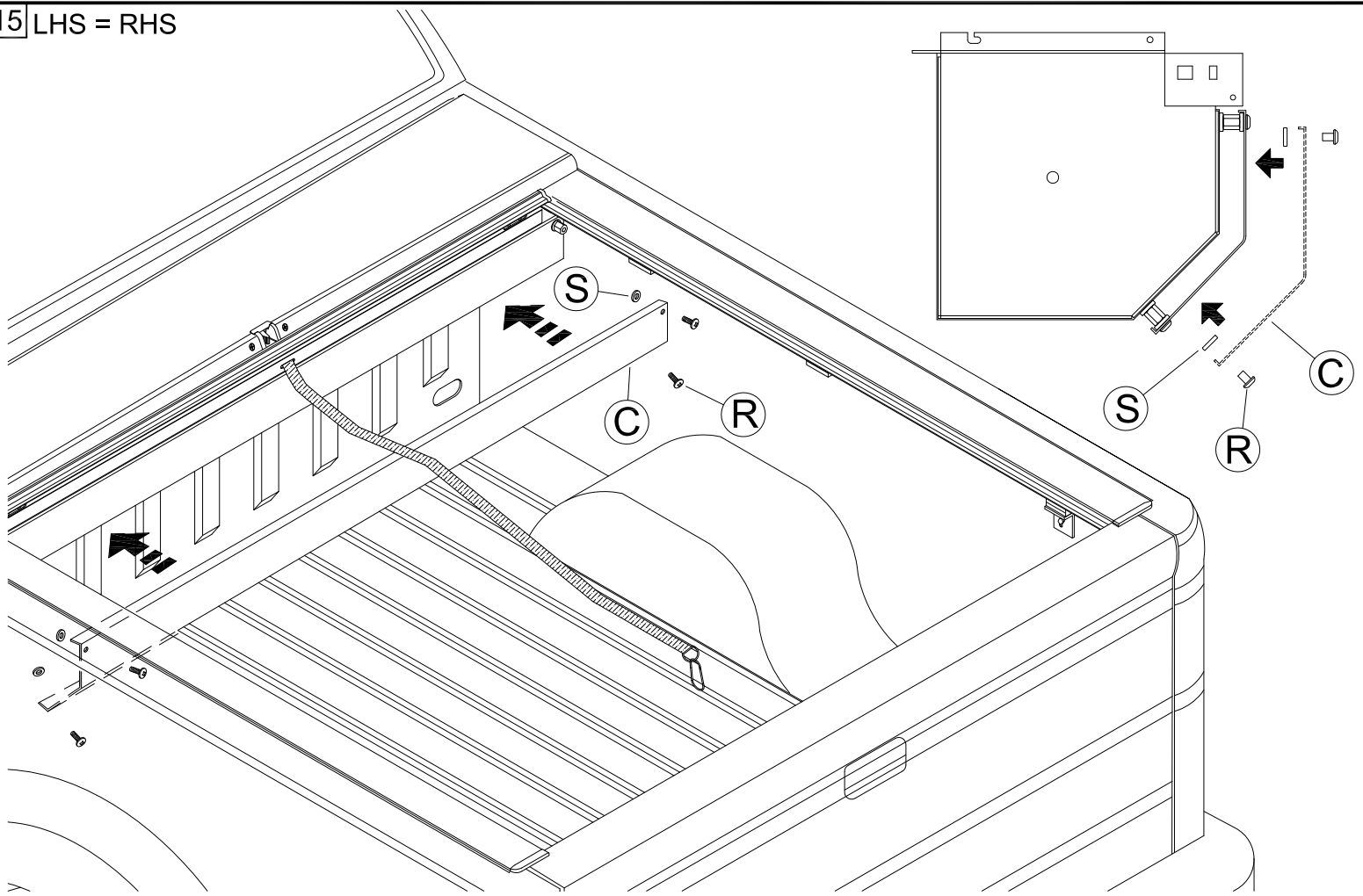
13 LHS = RHS



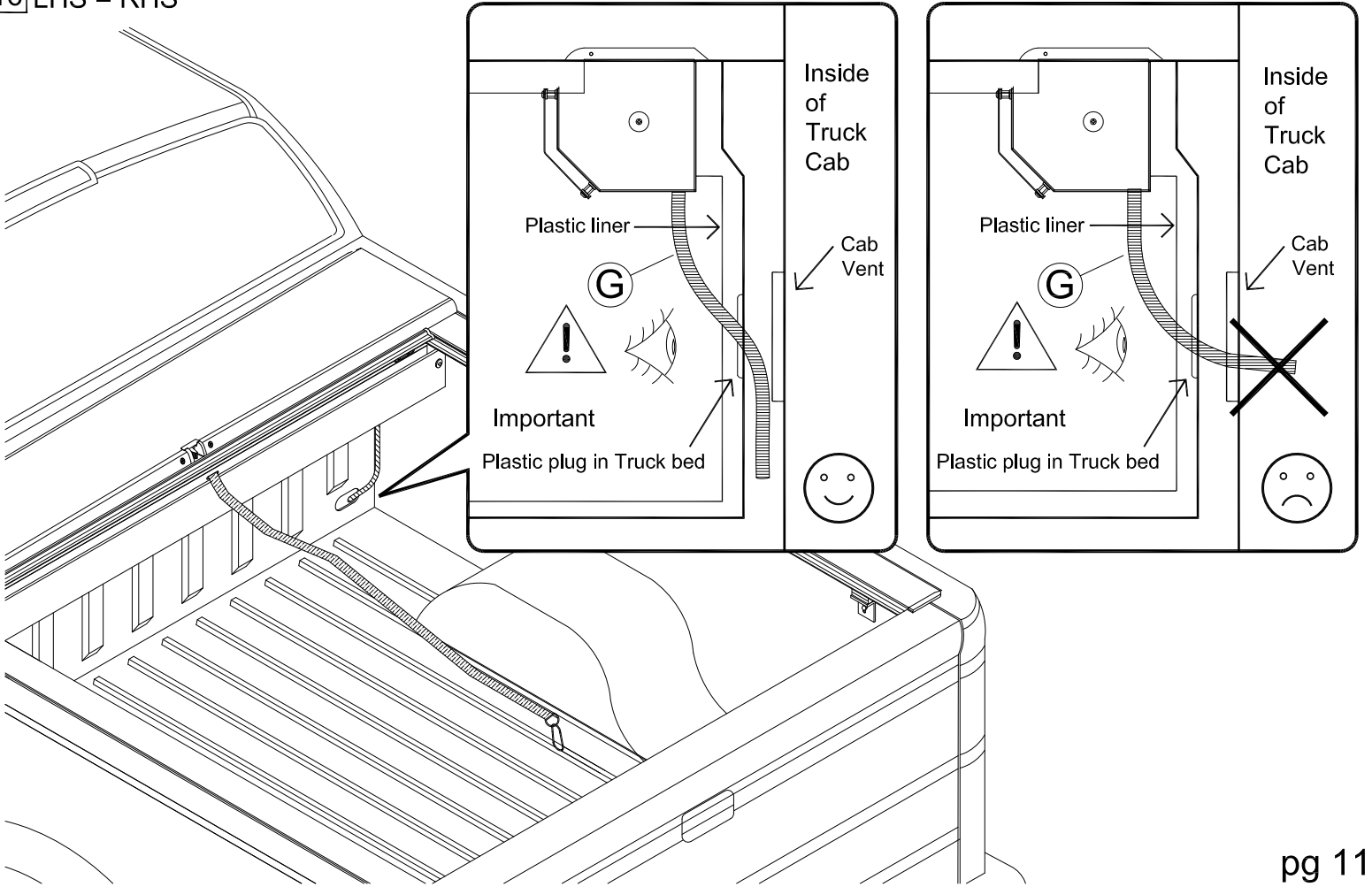
14

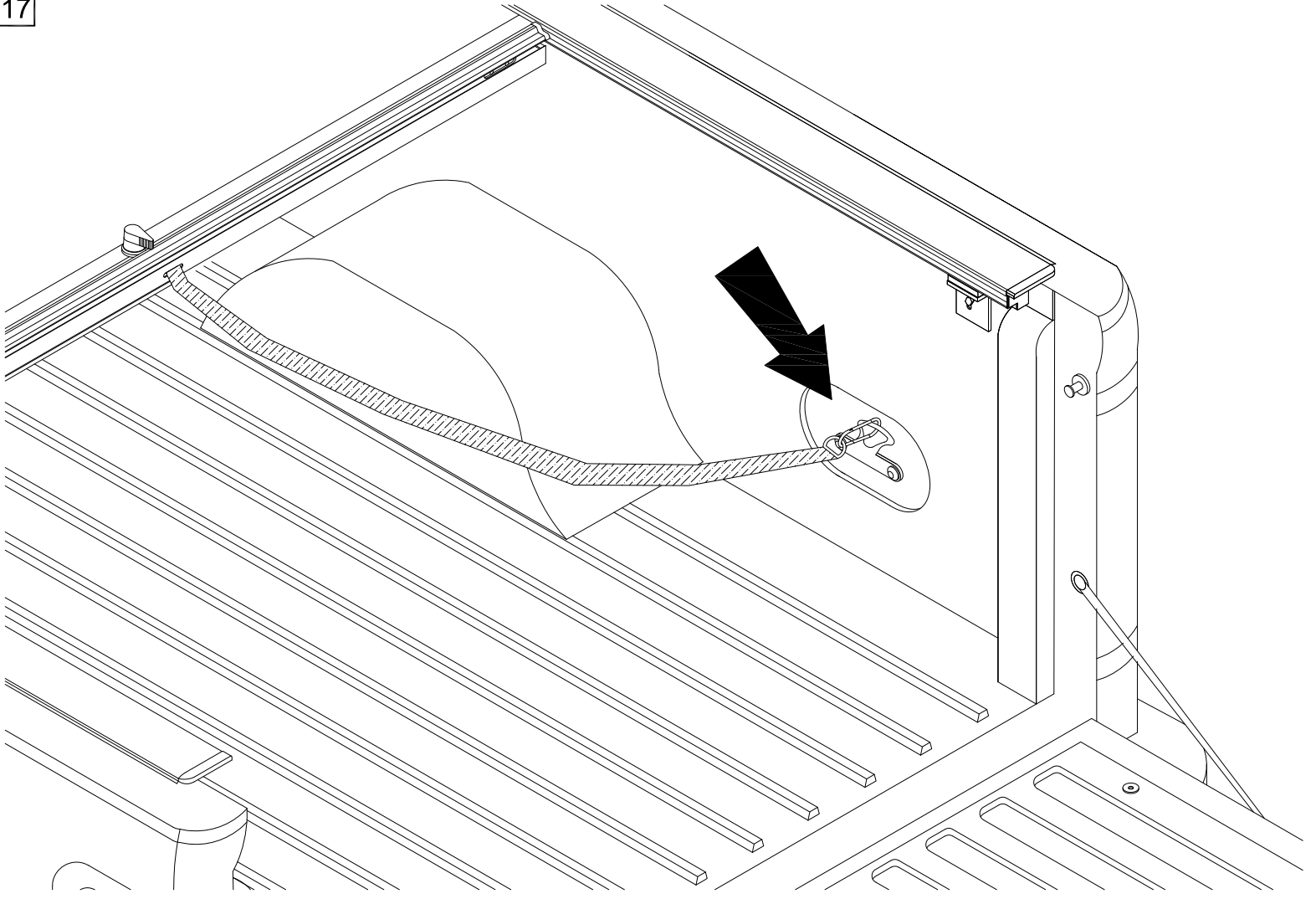


15 LHS = RHS



16 LHS = RHS





**ROLL-N-LOCK®**

When it comes to quality tonneau covers, Roll-N-Lock is the brand you can depend on.