



Time Tested • Time Proven

FuseMaster 76515-10

Installation instructions

All specifications are subject to change without notice.

Purpose

Eliminates the necessity of manually removing maxi fuses for towing, then having to reinsert them for driving. After the installation you will press a switch to accomplish the same task.

Note: if only disconnecting one maxi fuse, use FuseMaster 76515 instead. This kit, 76515-10, adds components to the 76515 for remotely disconnecting a second maxi fuse.

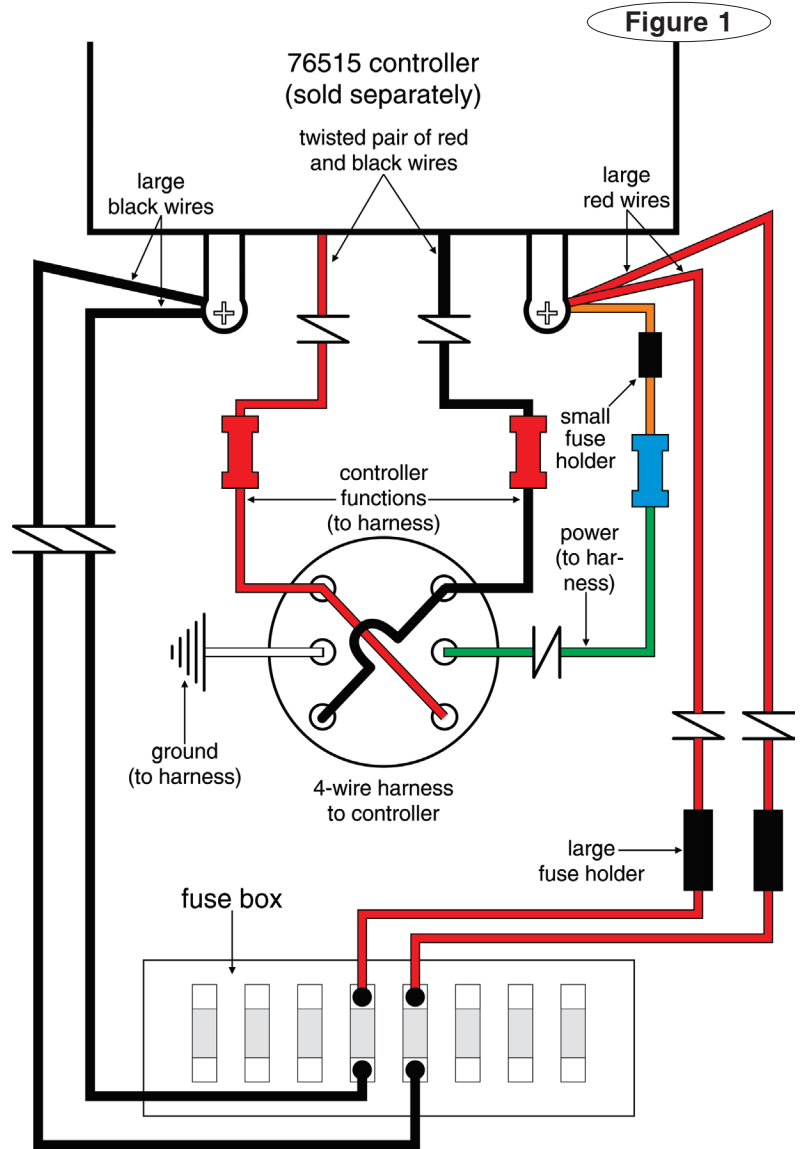
CAUTION

Read all instructions before installing or operating this device. Failure to understand how to properly install or operate FuseMaster could result in extensive property damage.



Installation instructions

1. Install FuseMaster 76515 first. Follow the instructions included with the kit.
2. Find the second fuse to be removed and verify that voltage is present in the 'tow' mode, as you did with the first fuse.
3. Install the red and black wires included in this kit according to Figure 1.



The 76515-10 is wired in conjunction with a 76515 (sold separately).