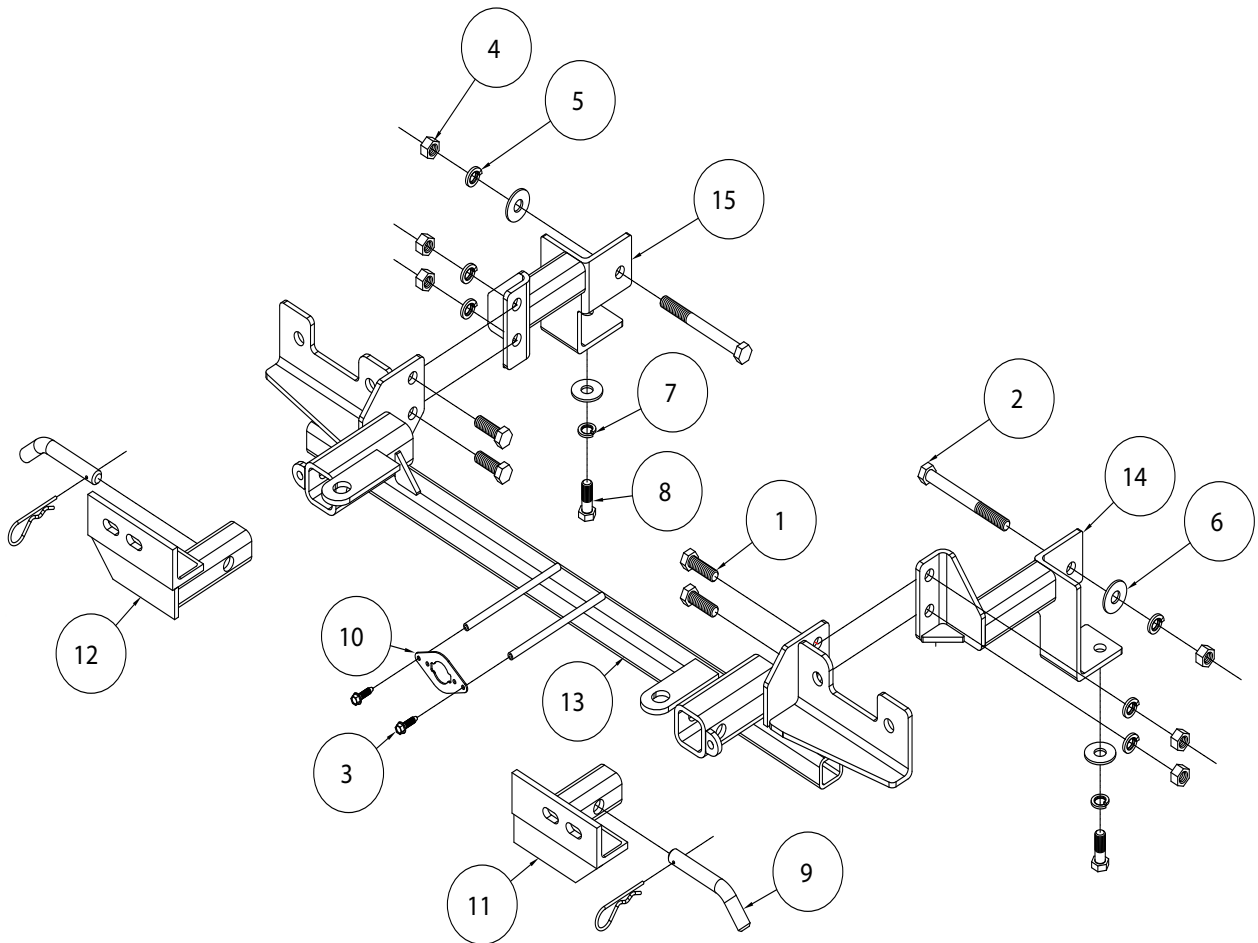




MOUNTING BRACKET KIT INSTALLATION INSTRUCTIONS

KIT# 298-1
08/10/15



ITEM	QTY	NAME	MATERIAL
1.....	4.....	1/2" x 1 1/2" BOLT	350095-00
2.....	2.....	1/2" x 5" BOLT	350107-00
3.....	2.....	#10 x 3/4" SELF TAPPING SCREW	350247-35
4.....	6.....	1/2" HEX NUT.....	350258-00
5.....	6.....	1/2" LOCK WASHER.....	350309-00
6.....	4.....	1/2" FLAT WASHER	350308-00
7.....	2.....	12mm LOCK WASHER.....	355725-00
8.....	2.....	12mm x 1.5 x 35mm BOLT.....	357102-00
9.....	2.....	5/8" DRAW PIN W/CLIP	357035-00
10.....	1.....	WIRE PLUG PLATE	A-003801
11.....	1.....	DRIVER SIDE ARM	C-002661
12.....	1.....	PASSENGER SIDE ARM.....	C-002662
13.....	1.....	MAIN RECEIVER	C-002663
14.....	1.....	DRIVER SIDE BRACE	C-002664
15.....	1.....	PASSENGER SIDE BRACE	C-002665



MOUNTING BRACKET KIT INSTALLATION INSTRUCTIONS

KIT# 298-1
08/10/15

This is one of our XL series brackets, which allows the visible front portion of the bracket to be easily removed from the front of the vehicle (Fig.A and Fig.B). The bracket consists of two main receiver braces, two rear braces, two removable front braces, and a hardware pack. The main receiver brace mounts to the frame rails; the rear braces mount to the main receiver braces and frame guards, and the removable front braces install in the main receiver brace.

Before starting the installation, lay out the kit components in order, as they will be used. This will give you a visual idea of how the components work, and will also confirm that everything is present and accounted for.



Fig.A



Fig.B

IMPORTANT: All brackets **must** be assembled with all the bolts left loose for final adjustment and positioning (before tightening) unless otherwise instructed. All bolts **must** be torqued for proper strength. If more than one bolt is used per fastening point, the diagram may only show one.

- Use flat washers over all slotted holes
- Use lock washers on all fasteners

ROADMASTER Limited Warranty, including One-Year Conditional Warranty Text and Product Registration Card, in Carton.

WARNING

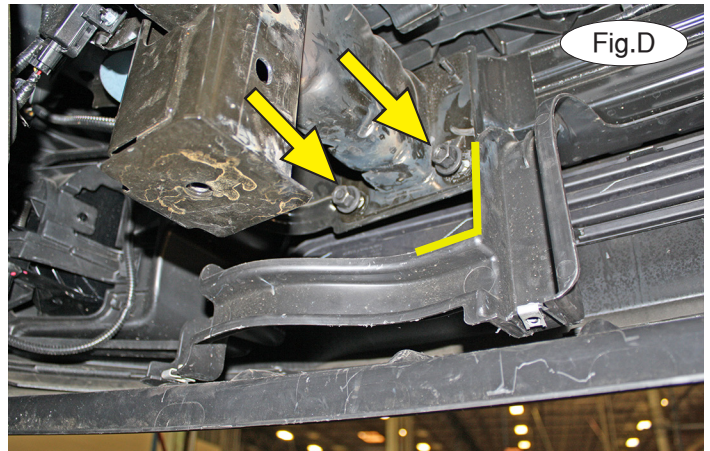
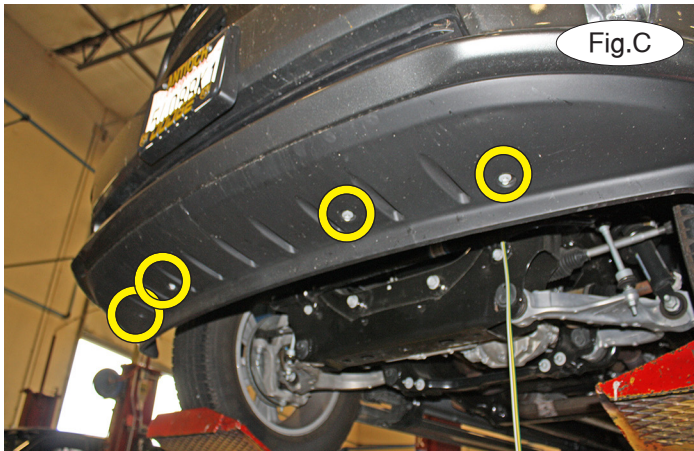
Failure to follow these instructions can result in property damage, personal injury or even death.

- Installation of most mounting brackets requires moderate mechanical aptitude and skills. We strongly recommend professional installation by an experienced installer.
- The installer must read the instructions and use all bolts and parts supplied. Failure to do so could result in loss of the towed vehicle.
- Use Loctite® Red on all bolts used for mounting this bracket.
- Every 3,000 miles, the owner must inspect the fasteners for proper torque, according to the bolt torque requirements chart on the last page of these instructions. The owner must also inspect all mounts and brackets for cracks or other signs of fatigue every 3,000 miles. Failure to do so could result in loss of the towed vehicle.
- The owner must check the vehicle manufacturer's instructions for the proper procedure(s) to prepare the vehicle for towing. Some vehicles must be equipped with a transmission lube pump, an axle disconnect, driveline disconnect or free-wheeling hubs before they can be towed. Failure to properly equip the vehicle will cause severe damage to the transmission.
- If running changes were made by the vehicle manufacturer after this bracket was designed, some bolts or other fasteners in the hardware pack may no longer be the correct size. It is the installer's responsibility to verify that the bracket is securely fastened to the vehicle and fitted with the correct hardware to account for these changes. Failure to securely fasten the bracket could result in loss of the towed vehicle.
- If the towed vehicle has been in an accident, it must be properly repaired before attaching the bracket. Do not install the bracket if any structural frame damage is found. Failure to repair the damage could result in the loss of the towed vehicle.
- Roadmaster manufactures many styles of brackets. If your bracket has removable arms, they must be removed before driving the vehicle, unless the arms can be pinned or padlocked in place. If not secured, the arms could vibrate out, resulting in non-warranty damage or personal injury.
- Some motorhome chassis have such a tight turning radius that you can damage your motorhome, towed vehicle, tow bar or bracket while turning sharply. Before getting on the road, test your turning radius in an empty parking lot. Turning too sharply could result in non-warranty damage to towing system, motorhome and/or towed vehicle.
- Do not back up with the towed vehicle attached or non-warranty damage will occur to your towing system, motorhome and/or towed vehicle.
- The safety cables must connect the towing vehicle to the towed vehicle frame to frame, with the cables crossed, with enough slack for sharp turns. Refer to the cable instructions for proper routing. Failure to leave enough slack in the safety cables, or failure to connect the safety cables frame to frame, will result in the loss of the towed vehicle.
- This bracket is designed for use with ROADMASTER tow bars and ROADMASTER adaptors only. Using this bracket with other brands, without an approved ROADMASTER adaptor, may result in non-warranty damage or injury.
- Do not use this document for custom fabrication, as it may not show all parts or structural components. Custom fabrication or an attempt to copy this bracket design could result in loss of the towed vehicle.
- Upon final installation, the installer must inspect the bracket to ensure adequate clearance, particularly around hoses, air conditioner lines, radiators, etc., or non-warranty damage to the towed vehicle will result.
- This bracket is only warranted for the original installation. Installing a used bracket on another vehicle is not recommended and will void the warranty.



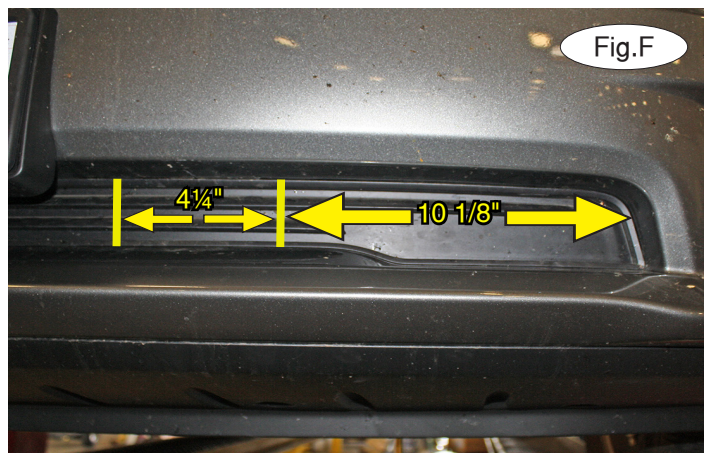
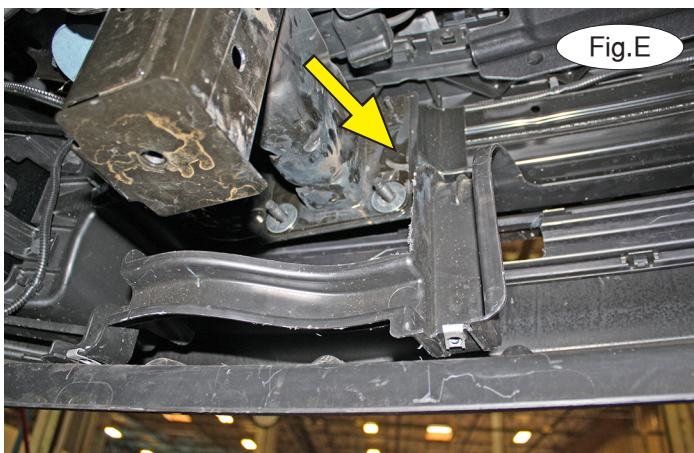
MOUNTING BRACKET KIT INSTALLATION INSTRUCTIONS

KIT# 298-1
08/10/15



1. **Important:** please use all supplied bolts and parts and read all instructions carefully before beginning this installation. The majority of questions you may have can be answered within the text, and proper installation will ensure safe and secure travel. Now, begin the installation by removing four 10mm (head) bolts attaching the lower fascia to the plastic supports (Fig.C).

2. On each side, trim the fascia support all the way up on the inside edge, using the yellow lines in Figure D (driver's side) as a guide for trimming, and then remove two 18mm nuts from the back of the bumper core. Note: additional trimming may be required to allow for bolt head clearance.



3. On each side, use a hammer to flatten the tab on the bumper mounting flange indicated with the yellow arrow and place one 1/2" flat washer over each of the exposed studs (Fig.E).

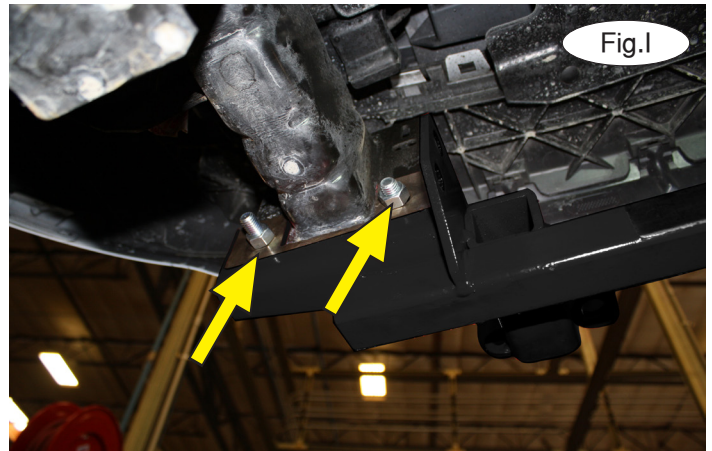
4. Now, measure over 10 1/8" from the outer edge of the grille insert and then mark it for trimming. Measure the distance on the receivers of the bracket to ensure it is the same measurement. Then, trim out a 4 1/4" section to allow clearance for the main receiver brace (Fig.F). Now, trim out 3/2" on center for the plug mounting bracket (Fig.G).



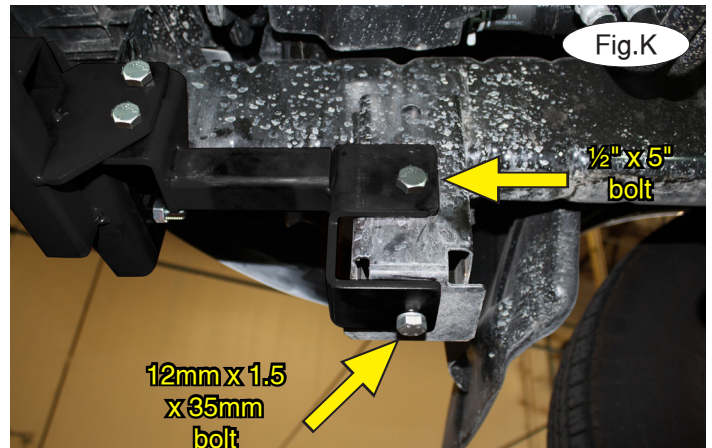
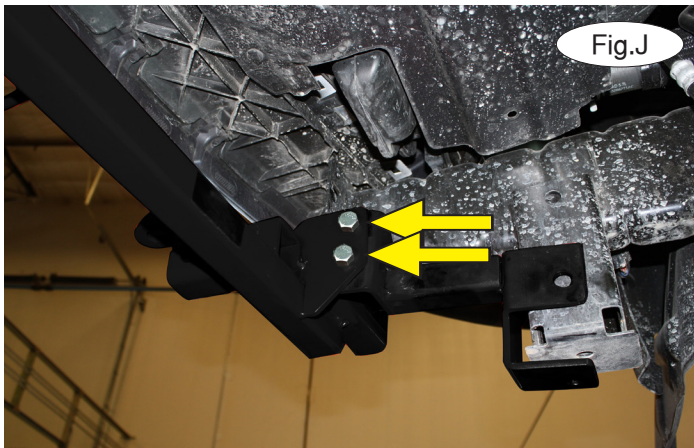


MOUNTING BRACKET KIT INSTALLATION INSTRUCTIONS

KIT# 298-1
08/10/15



5. On each side, push the fascia support completely up and out of the way and place the bracket over the bumper studs and out through the section of the fascia that you trimmed in the previous step (Fig.H). Now, replace the 18mm nuts you removed in a previous step (Fig.I). *Note:* for simplification of the next two steps, the fascia has been removed in Figures I, J and K.



6. On each side, align the holes in the rear brace with the holes in the rear of the main receiver brace. Bolt the rear brace to the main brace using the supplied $\frac{1}{2}$ " x $1\frac{1}{2}$ " bolts and finish with $\frac{1}{2}$ " lock washers and nuts (Fig.J). *Note:* ensure proper alignment, as the bolts will receive Loctite® Red and be torqued at the end of these instructions.

7. On each side, enlarge the pre-existing hole in the tow hook mount if necessary to allow clearance for the bolt. Then, using one of the supplied $\frac{1}{2}$ " x 5" bolts, a $\frac{1}{2}$ " lock washer and a $\frac{1}{2}$ " flat washer, bolt through the side of the rear brace and all the way through the tow hook mount. On the bottom hole, bolt through the rear brace and into the weld nut using the 12mm x 1.5 x 35mm bolt, 12mm lock washer and $\frac{1}{2}$ " flat washer (Fig.K).

8. Tighten all bolts to the bolt torque requirements found at the end of these instructions. *Note:* use Loctite® Red on all nuts and bolts.



MOUNTING BRACKET KIT INSTALLATION INSTRUCTIONS

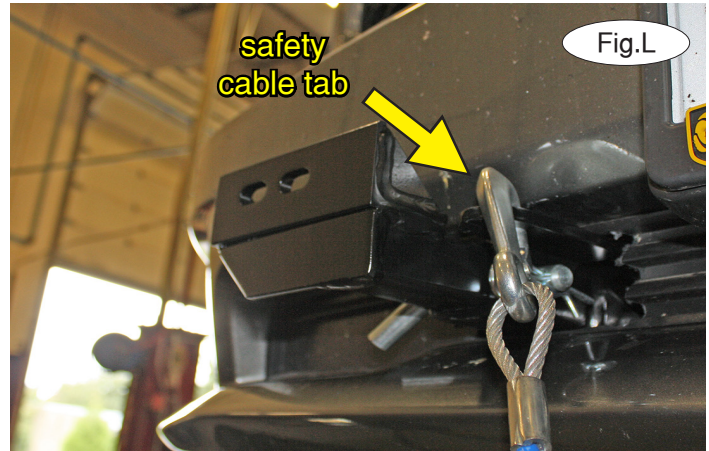
KIT# 298-1
08/10/15

9. Insert the removable front bracket arms into the front receiver braces, and secure them in place with the supplied 5/8" draw pins and spring pins.

10. Install the tow bar to the mounting bracket according to the manufacturer's instructions. Attach the ends of the safety cables to the tow vehicle's safety cable tab and the tow bar.

IMPORTANT!

Safety cables are required by law. When towing, connect safety cables to the safety cable tabs shown in Figure L. Make certain there is adequate slack in the cables to allow a full turning radius; otherwise, damage will result. If necessary, longer cables or cable extensions are available.



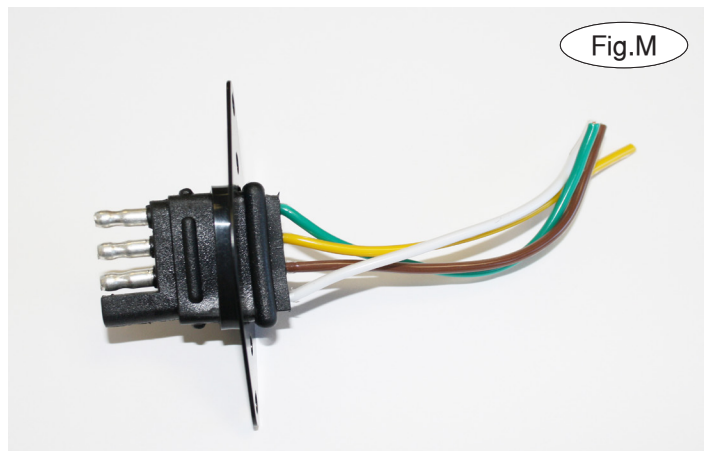
Note: if the bracket is so equipped, the holes in the alignment tabs which are welded to the arms and main receivers are for padlocks only. Under no circumstances should you bolt the alignment tabs together. Bolting the alignment tabs together may result in non-warranty damage to the bracket.

Three options for attaching the wiring plug to the main receiver brace

For six-wire plugs: use the two supplied 3/4" self-tapping screws to attach the electrical plug directly to the rods on the front of the main receiver brace.

For four-wire round plugs: attach to the plug mounting plate and then use the two supplied 3/4" self-tapping screws to attach the mounting plate to the rods on the front of the main receiver brace.

For four-wire flat plugs: place the plug through the mounting plug plate, and then secure it using the supplied zip tie on the front of the plug (Fig.M). Use the two supplied 3/4" self-tapping screws to attach the mounting plate to the rods on the front of the main receiver brace.



BOLT TORQUE REQUIREMENTS

Note: The torque values represented below are intended as general guidelines. Torque requirements for specific applications may vary. Roadmaster does not warrant this information to be accurate for all applications and disclaims all liability for any claims or damages which may result from its use.

STANDARD BOLTS

Thread Size	Grade	Torque
5/16	5	13 ft./lb.
3/8	5	23 ft./lb.
7/16	5	37 ft./lb.
1/2	5	56 ft./lb.
5/8	5	150 ft./lb.

METRIC BOLTS

Thread Size	Grade	Plated / Unplated
8mm-1.0	8.8	20 ft./lb. 18 ft./lb.
8mm-1.25	8.8	19 ft./lb. 18 ft./lb.
10mm-1.25	8.8	38 ft./lb. 36 ft./lb.
10mm-1.5	8.8	37 ft./lb. 35 ft./lb.

METRIC BOLTS

Thread Size	Grade	Plated / Unplated
12mm-1.25	8.8	70 ft./lb. 65 ft./lb.
12mm-1.5	8.8	66 ft./lb. 61 ft./lb.
12mm-1.75	8.8	65 ft./lb. 60 ft./lb.
14mm-2.0	8.8	104 ft./lb. 97 ft./lb.