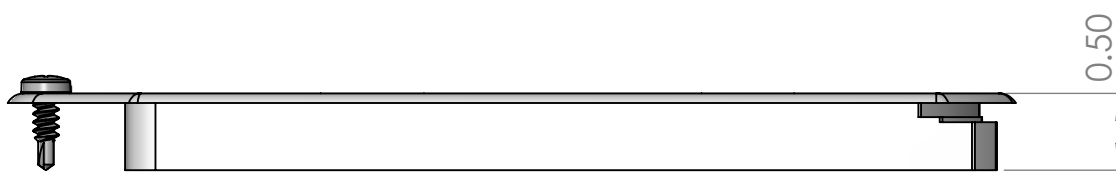
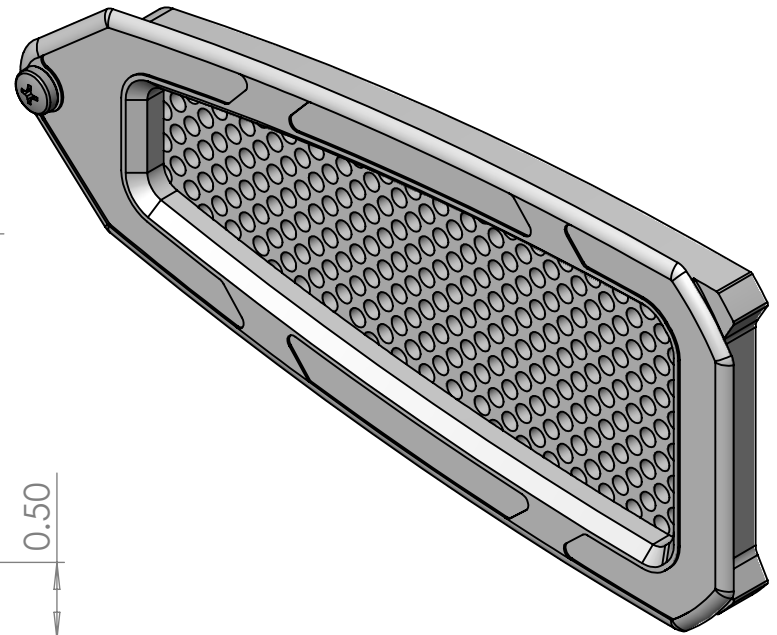
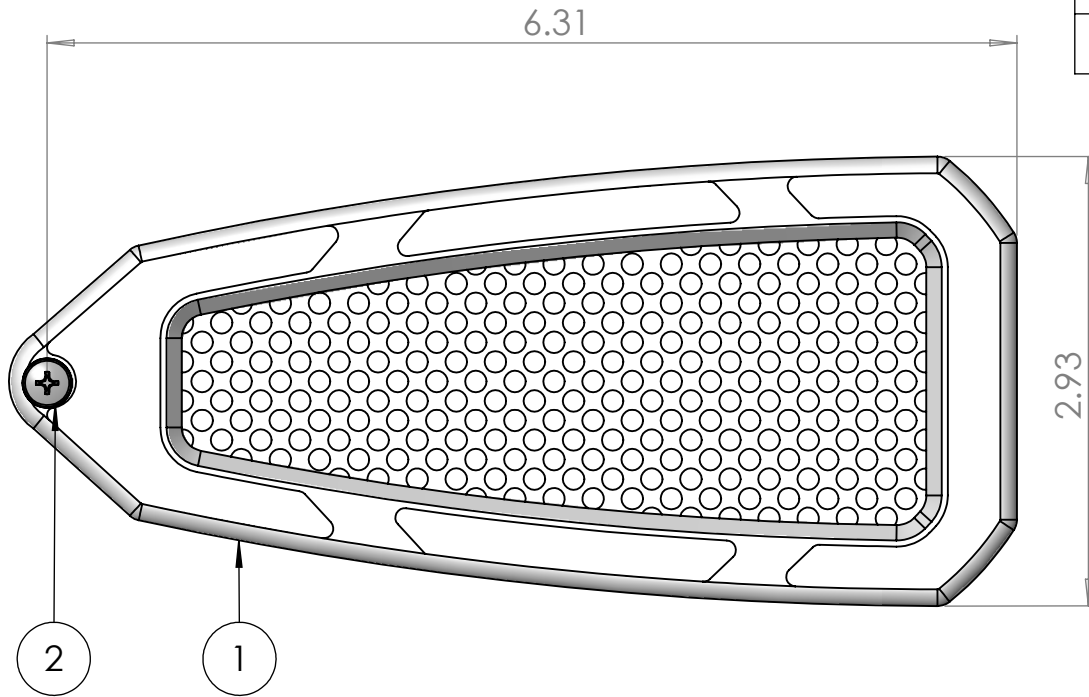


ITEM NO.	PART NUMBER	DESCRIPTION	QTY.
1	9023-001-U	VENT	1
HARDWARE KIT			
2	94060A194-MC	#8 X 1/2 BUTTON HEAD TAPPING SCREW	2



NOTES:

		RINGBROTHERS®	
		9023-000-U	
<small>UNLESS OTHERWISE SPECIFIED: ALL DIMENSIONS ARE IN INCHES. DIMENSIONS IN PARENS ARE IN MM.</small>		<small>PROPRIETARY AND CONFIDENTIAL THE INFORMATION CONTAINED IN THIS DRAWING IS THE SOLE PROPERTY OF RINGBROTHERS. ANY REPRODUCTION IN PART OR AS A WHOLE WITHOUT THE WRITTEN PERMISSION OF RINGBROTHERS IS STRICTLY PROHIBITED.</small>	
<small>MATERIAL:</small> <small>FA - FASTENAL</small>		<small>SIZE</small> A	<small>DWG. NO.</small> Door Jamb Vent
<small>FRACCTIONS:</small> +/- 1/16 <small>DECIMALS:</small> .XX +/- .05 <small> </small> .XXX +/- .005 <small> </small> .XXXX +/- .005 <small>ANGLES:</small> MACHINED +/- .5° <small> </small> OTHER: +/- .2° <small>CONCENTRICITY:</small> .010 <small>BREAK CORNERS:</small> .015-.030 <small>FILLET RADIUS:</small> .030-.060 <small>SURFACE FINISH:</small> 125 RMS		<small>DRAWN:</small> ISAAC GERBER <small>DATE:</small> 8/8/2019 <small>ENGR:</small> RYAN SCHWARTZ <small>DATE:</small> 2/20/2019	<small>SCALE:</small> NTS <small>WEIGHT:</small> NTS <small>SHEET 1 OF 1</small> <small>3RD ANGLE PROJECTION</small>
<small>FA - FASTENAL</small>		eSIGNATURES ON FILE	

Learn more about replacement doors and components we have.