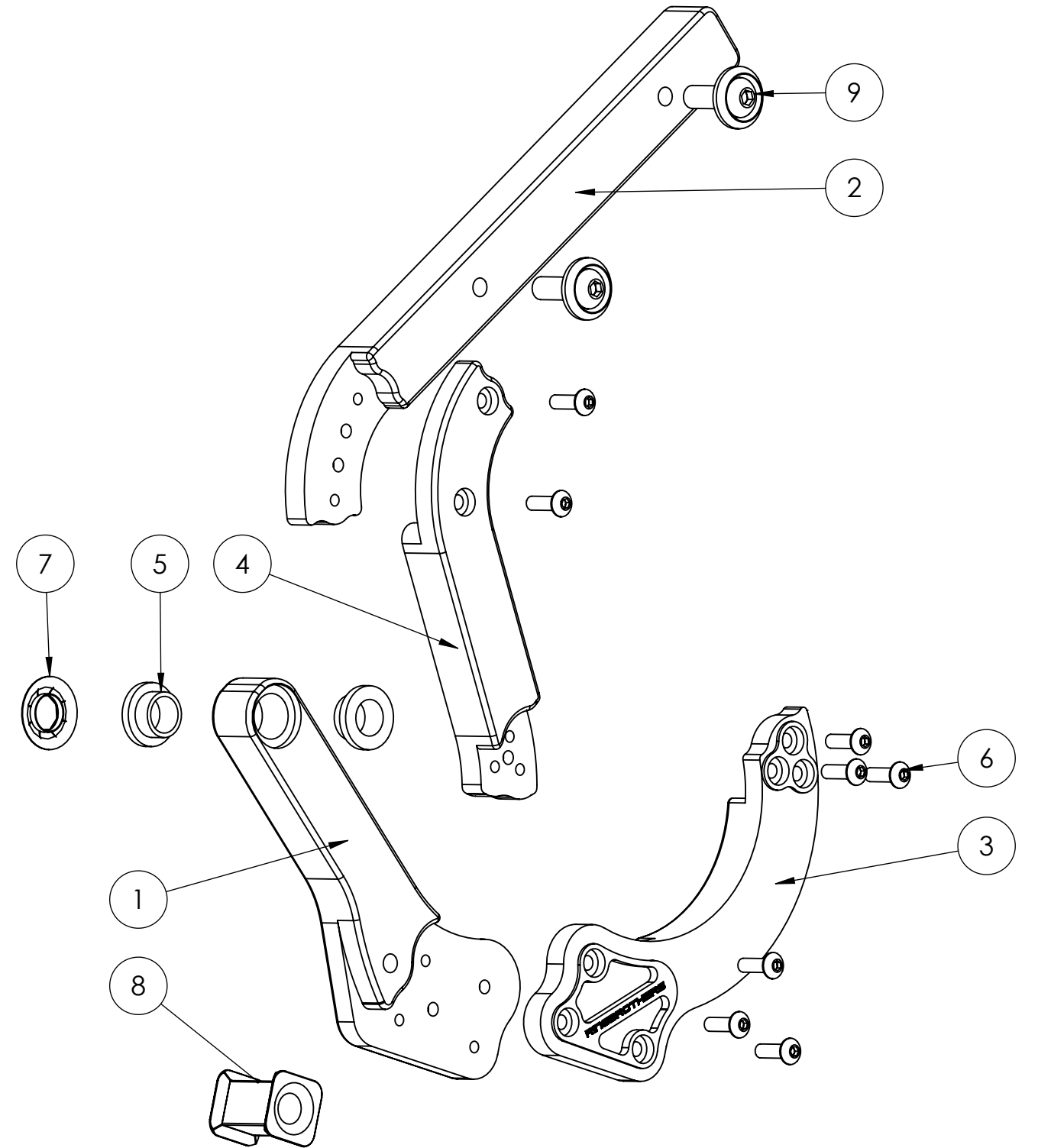
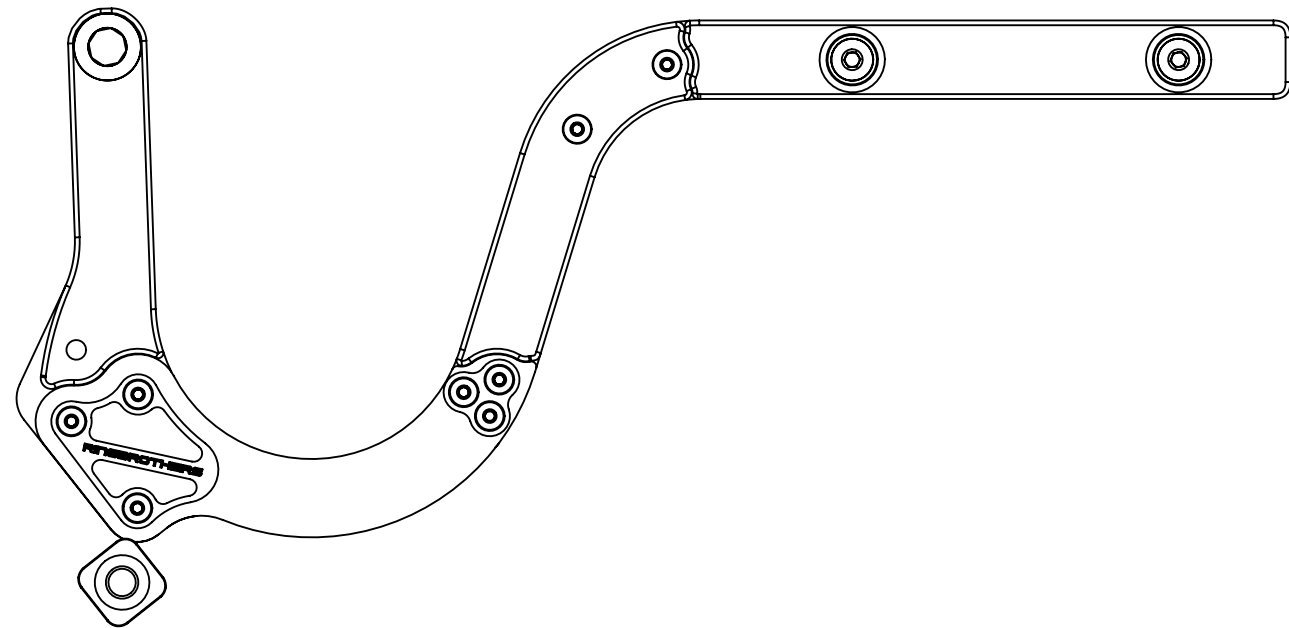


ITEM NO.	PART NUMBER	DESCRIPTION	QTY.
1	8072_001		1
2	8072_004		1
3	8072_002		1
4	8072_003		1
5	6338K417	BRONZE BUSHING	2
6	SBHCSCREW 0.19-24x0.625-HX-N	10-32 X 5/8 BUTTON HEAD CAP SCREW	8
7	94807A034	PUSH WASHER	2
8	SLIDER_MN1829	SLIDER	2
9	99000-5098G	5/16-18 BOLTS AND WASHERS	4



NOTES: LINES 7-9 ARE BAGGED IN QTY. LISTED

OPTION 1: O.E. REPLACEMENT

OPTION 2: INSTALL CUTOM BRACKET FOR GAS SPRING USING OUR BALL STUD KIT:  
PART #: 99000-010 OR 62-10-4001

SOLIDWORKS

MATERIAL: <b>6061</b>		UNLESS OTHERWISE SPECIFIED: ALL DIMENSIONS ARE IN INCHES. DIMENSIONS IN [ ] ARE IN MM. FRACTIONS: $\pm 1/16$ DECIMALS: .x $\pm .05$ .xx $\pm .02$ .xxx $\pm .005$ ANGLES: MACHINED $\pm 0^{\circ} 30'$ OTHERS $\pm 2^{\circ}$ CONCENTRICITY: .010 BREAK CORNERS: .015 - .030 FILLET RADIUS: .030 - .060 SURFACE FINISH: 125 RMS		<b>RINGBROTHERS</b>	
COATING:		THIS DOCUMENT CONTAINS INFORMATION WHICH IS PROPRIETARY TO RINGBROTHERS. THE INFORMATION CONTAINED HEREIN SHALL NOT BE DISCLOSED, DUPLICATED, USED IN WHOLE OR IN PART FOR ANY PURPOSE OTHER THAN TO EVALUATE THIS DOCUMENT WITHOUT WRITTEN CONSENT OF RINGBROTHERS.		8072	
DRAWN: RYAN SCHWARTZ		DATE: 2-20-17		3RD ANGLE PROJECTION	
ENGR: MATT MOSEMAN		DATE: 2-21-17		DO NOT SCALE	
PR MGR: MATT MOSEMAN		DATE: 2-21-17		DWG. NO. 8072	
eSIGNATURES ON FILE		SCALE: NTS		WEIGHT: REV A	
				SHEET 1 OF 1	

Check out the collection of trunks we offer.