



SA-SERIES®

SA-SERIES®

SA-SERIES®
INSTALLATION INSTRUCTIONS

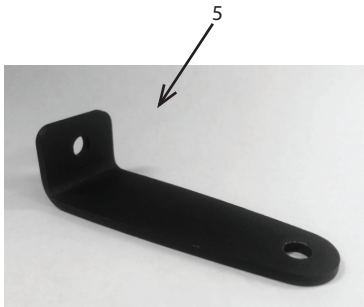
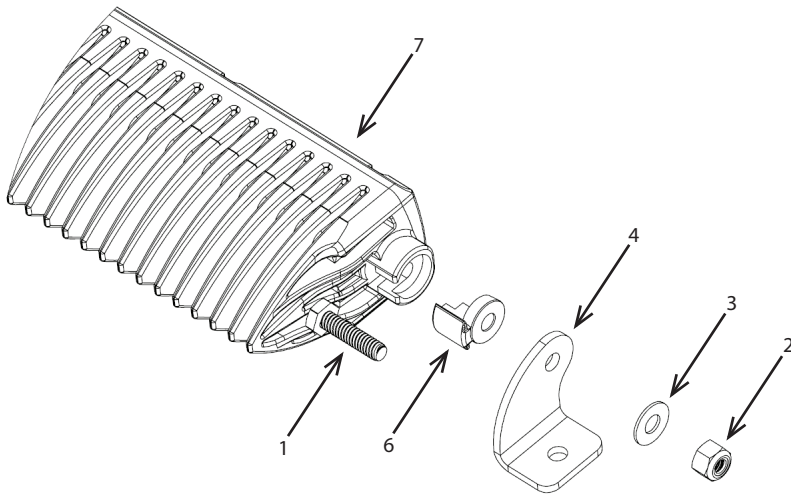


KIT INCLUDES

- | | |
|------------------------------|---|
| (2) ¼" Hex Head Bolt | (2) Tall Mounting Bracket |
| (2) ¼" Nylon Insert Lock Nut | (2) Compression Spacers |
| (2) ¼" Flat Washer | (1) Light Bar |
| (2) Short Mounting Bracket | (1) Wire Harness with 2 Position Switch |

IMPORTANT

Thank you for purchasing Rigid Industries' products. Installation is fairly simple with the right tools and good mechanical abilities. If you are not confident in your mechanical skills, please seek the help of a professional to perform the installation. Please read through all of these instructions and tips before proceeding with the installation. **It is strongly recommended that this product be installed by a professional.**



*** Install the Tall Mounting Bracket (5) in place of the Short Mounting Bracket (4) if a taller mounting position is desired***

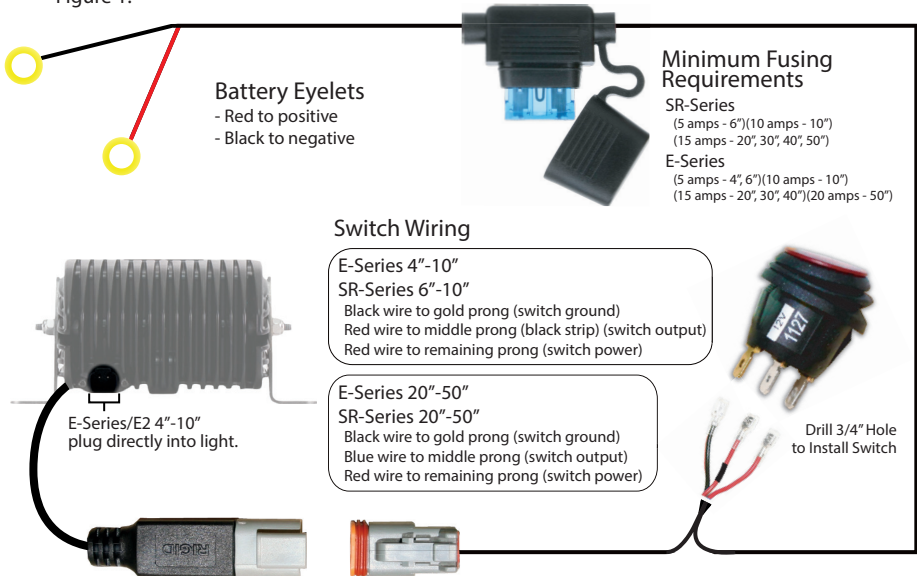
Item	Description	Qty Single
1	¼" Hex Head Bolt	2
2	¼" Nylon Insert Lock Nut	2
3	¼" Flat Washer	2
4	Short Mounting Bracket	2
5	Tall Mounting Bracket	2
6	Compression Spacers	2
7	Light Bar	1
8	Wire Harness with 2 Position Switch	1

Always disconnect any power sources connected to your vehicle before servicing fuses or electrical systems.

STEP 1

The SR Series® light bar includes bolts that slide into each side of the light before compression spacers and brackets are attached for mounting. Insert mounting brackets onto the light as shown in Figure 1. Secure hardware and mount light onto desired location.

Figure 1:



STEP 2

Attach the eyelet at the end of the red wire to the positive terminal of your battery or to any 12V DC source. Secure the black wire to the negative battery terminal or any suitable ground as shown in Figure 2. Route the wire harness to the desired switch secure with zip ties. Take care to avoid any heat sources and sharp or abrasive surfaces. When installing Rigid lights on a 24V DC system use a 24V relay. When installing multiple lights be sure to use adequate fusing.

STEP 3

Test lights to ensure proper function and secure mounting hardware according to desired light beam angle.



INSTALLATION INSTRUCTIONS

2021+ FORD BRONCO ROOF LINE SR MOUNT KIT



PRODUCTS INCLUDE:

- (2) MOUNTS #46723

*Lights sold separately.

RECOMMENDED TOOLS:

- T30 Torx bit

- 7/16" Socket

- 10mm Socket

- Philips Screw Driver

IMPORTANT

THANK YOU FOR PURCHASING RIGID INDUSTRIES' PRODUCTS FOR YOUR VEHICLE.

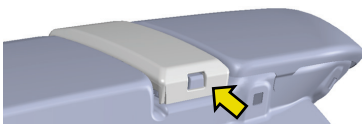
Please read through all of these Instructions and tips before proceeding with the installation.

We do our best to provide a simple installation process for all applications however a professional installation is always recommended.

Always disconnect any power sources connected to your vehicle before servicing fuses or electrical systems.

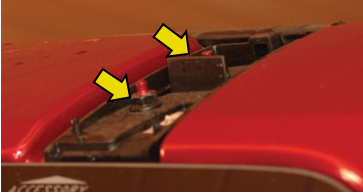
STEP: 1

Remove the factory stud covers above the windshield. Pry the rear of the covers to remove.



STEP: 2

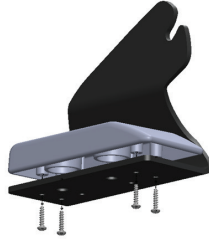
After the cover has been removed, proceed to remove the two flanged nuts on each side with a 10mm socket.

**STEP: 3**

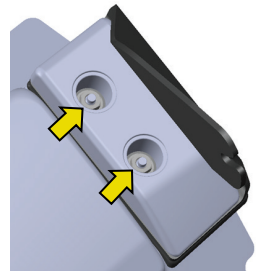
Install the rubber isolators as shown.

**STEP: 4**

Assemble the brackets with the correct cover. Use the supplied self tapping screws (BX included) with a Phillips screwdriver.

**STEP: 5**

Using the supplied flange nuts, attach the assembly to the vehicle using a 10mm socket. Tighten to 10 Nm (88.5in-lbs).

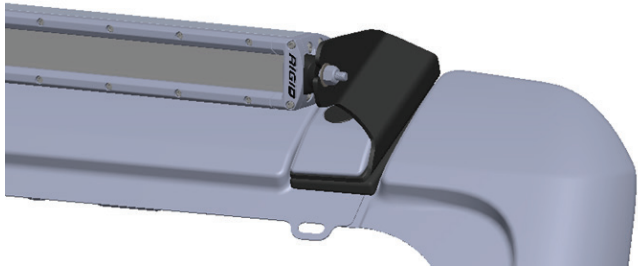


STEP: 6

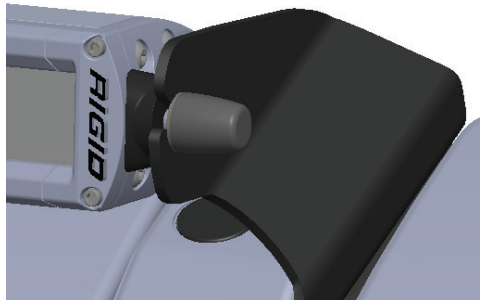
Install stud caps into the covers using some firm pressure for a press fit.

**STEP: 7**

Once the brackets assemblies have been installed, the light bar can be mounted. Black washers are included with the vehicle specific mounting kit in place of the chrome stainless washer.

**STEP: 8**

Afterwards, install the rubber cover on the studs on each end of the light bar.



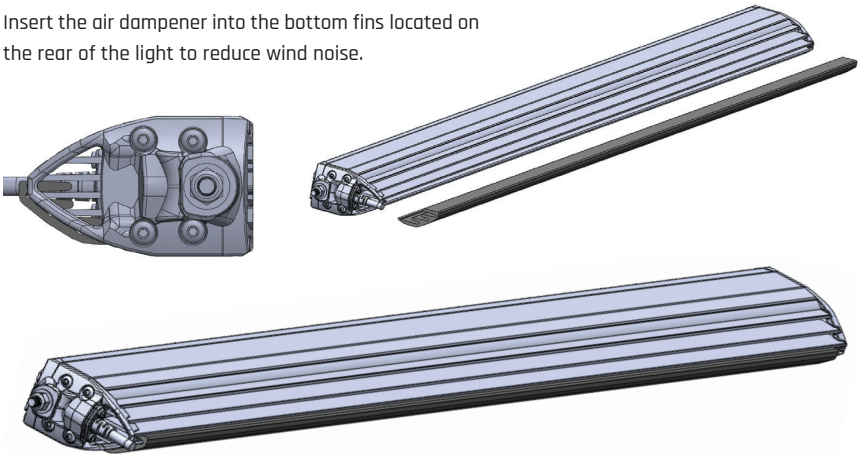
STEP: 9

Recommended routing for wiring is along the top edge of the roof line. Peel back the rubber seal for wire routing.



STEP: 10

Insert the air dampener into the bottom fins located on the rear of the light to reduce wind noise.



Wiring: Wire your lights according to the instructions included with the light. Take care to avoid any heat sources and sharp or abrasive surfaces.

Your installation is now complete.
Welcome to the Rigid Nation!