

INSTALLATION INSTRUCTIONS

360 SERIES

PRODUCTS INCLUDE:

- (2) RIGID 360 Lights (4 or 6 inch)
- Mounting hardware



IMPORTANT

THANK YOU FOR PURCHASING RIGID INDUSTRIES' PRODUCTS FOR YOUR VEHICLE.

Please read through all of these Instructions and tips before proceeding with the installation. We do our best to provide a simple installation process for all applications however a professional installation is always recommended.

Always disconnect any power sources connected to your vehicle before servicing fuses or electrical systems.

WIRING LEADS



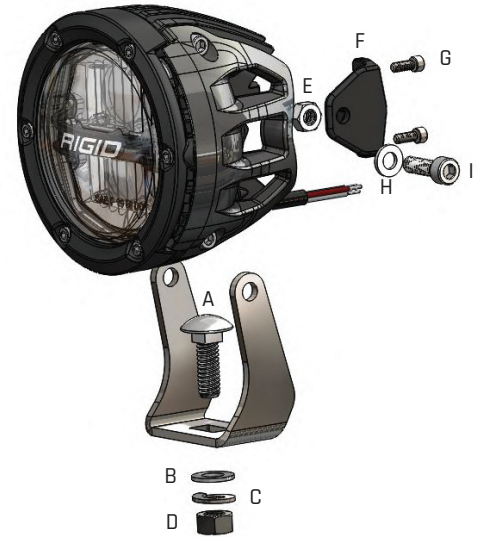
RED WIRE = PROJECTING TRIGGER

BLACK WIRE = GROUND

WHITE WIRE = BACK-LIGHTING TRIGGER

4" 360-SERIES ASSEMBLY DIAGRAM

A	M8x25mm Carriage Bolt	Place through bracket
B	M8 Flat Washer	Place on carriage bolt
C	M8 Lock Washer	Place on carriage bolt
D	M8 Nut	Tighten light to bracket
E	M6 Ny Lock Nut	Place in Heatsink
F	Mounting Bushing	Slide into Heatsink
G	6-32x.375" Socket Head	Tighten mount bushing to Heatsink
H	M6 Flat Washer	Place on item I prior to install
I	M6x22mm Socket Head	Tighten the bracket to the light (Torque 32in-lbs)



6" 360-SERIES ASSEMBLY DIAGRAM

A	M8x25mm Carriage Bolt	Place through bracket
B	M8 Flat Washer	Place on carriage bolt
C	M8 Lock Washer	Place on carriage bolt
D	M8 Nut	Tighten light to bracket
E	M6 Ny Lock Nut	Place in Heatsink
F	M4 Ny Lock Nut	Place into mounting bushing
G	Mounting Bushing	Slide into Heatsink
H	M6 Flat Washer	Place on J prior to install
I	M4 Flat Washer	Place on K prior to install
J	M6x22mm Socket Head	Tighten bracket to the light (Torque 32in-lbs)
K	M4x22m Socket Head	Tighten the bracket to the light (Torque 9in-lbs)



Wiring; Wire your lights according to the instructions included with the light. Take care to avoid any heat sources and sharp or abrasive surfaces.

Your installation is now complete.
Welcome to the Rigid Nation!



INSTALLATION INSTRUCTIONS

A-PILLAR MOUNT KIT

PRODUCTS INCLUDE:

- (2) RIGID mounting brackets
- Mounting hardware

IMPORTANT

THANK YOU FOR PURCHASING RIGID INDUSTRIES' PRODUCTS FOR YOUR VEHICLE.

Please read through all of these Instructions and tips before proceeding with the installation. We do our best to provide a simple installation process for all applications however a professional installation is always recommended.

Always disconnect any power sources connected to your vehicle before servicing fuses or electrical systems.

STEP: 1

Install one A-Pillar bracket at a time. Open the vehicle's hood and locate the hood hinges, remove bolts from hinge using the appropriately sized socket.

Caution: Once the bolts are removed the hood will be floating on the hinge. The hood should be held in place to avoid damaging any part of the vehicle.

STEP: 2

Under the hood, attach the A-Pillar bracket to the vehicles bolts loosely.

STEP: 3

Gently lower hood but do not latch. Position the light mounting bracket to allow installation of the carriage bolt, washer and nut. Use a wrench to tighten the nut to secure the light to the bracket.

STEP: 4

Carefully open the hood and position the finalize bracket position and spacing. Tighten hardware to factory torque specifications using the vehicle's factory service menu. Do not over tighten.

STEP: 5

Aim lights to desired angle and repeat steps for passenger side.

Wiring; Wire your lights according to the instructions included with the light.

Take care to avoid any heat sources and sharp or abrasive surfaces.

Wiring; Wire your lights according to the instructions included with the light. Take care to avoid any heat sources and sharp or abrasive surfaces.

Your installation is now complete.
Welcome to the Rigid Nation!