



INSTALLATION INSTRUCTIONS

2021+ BRONCO SPORT ROOF RACK IGNITE KIT



PRODUCT INCLUDES:

(2) Mounts #46715

* LIGHTS SOLD SEPARATELY

***THIS MOUNT FITS THE FOLLOWING LIGHTS:**

Ignite Pod Lights

IMPORTANT

THANK YOU FOR PURCHASING RIGID INDUSTRIES' PRODUCTS FOR YOUR VEHICLE.

Please read through all of these Instructions and tips before proceeding with the installation. We do our best to provide a simple installation process for all applications however a professional installation is always recommended.

Always disconnect any power sources connected to your vehicle before servicing fuses or electrical systems.

RECOMMENDED TOOLS:

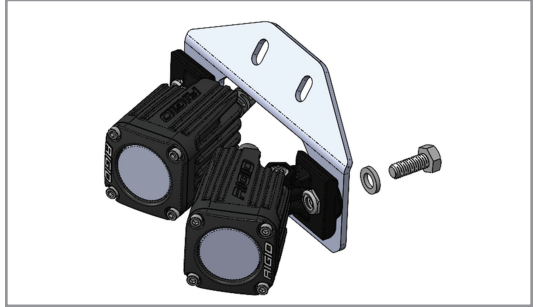
1. 1/4" Bit Ratchet
2. T25 Torx Bit
3. 10mm Wrench

Note: Fits both standard and Badlands factory roof racks. Bracket is slotted to accommodate both racks.

STEP 1

Mount 2 Ignites per side with the included hardware to the Roof Rack Bracket. Use a 10mm wrench or socket to tighten bolts to secure the lights to the bracket.

FIGURE 1



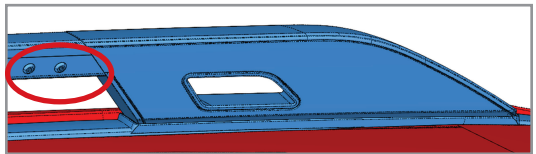
STEP 2

Locate the two screws on the roof rack. These two screws are held in with thread locker, using a bit ratchet is strongly recommended to not strip the Torx head. Torx size is T25.

FIGURE 2.1



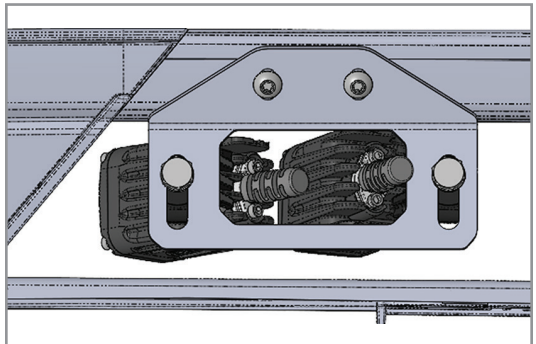
FIGURE 2.2



STEP 3

Once screws are removed, reinstall with the bracket as shown. Use the provide slots for light and bracket placement. It is recommended to use blue thread locker on the Torx Head bolts.

FIGURE 3



STEP 4

Here's some configurations you can try. Ignite with diffused lens shown.

FIGURE 4.1



FIGURE 4.2



FIGURE 4.3

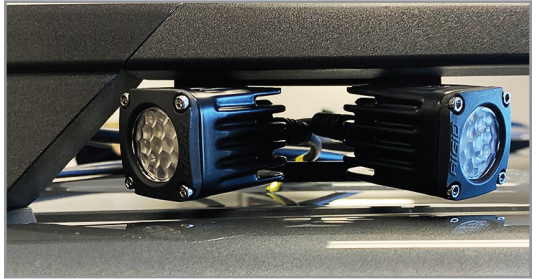


FIGURE 4.4

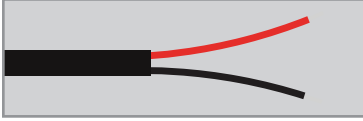


STEP 5

Repeat steps 1-4 to for the other side of the vehicle.

WIRING INSTRUCTIONS

Always disconnect the power.



RED WIRE = ON MODE VOLTAGE

BLACK WIRE = GROUND

1. Always disconnect the negative battery terminal when working with any electrical circuits.
2. If connecting to existing wiring, make sure to use appropriate fusing and wire gauge. Be sure to use heat shrink tubing on all connections to ensure a weather tight seal.
3. Be aware of the current rating of your selected switch, if switch rating is less than the amperage required to power your light then a relay must be added in line to prevent failure of switch.
4. Use wire sheathing to protect the wire if routing through any metal surface or around any sharp edges.
5. Re-connect the negative battery terminal and fully tighten all mounting hardware. Test to verify functionality.