



**Part # 11373699**  
**88-98 C1500 Front Upper StrongArms**

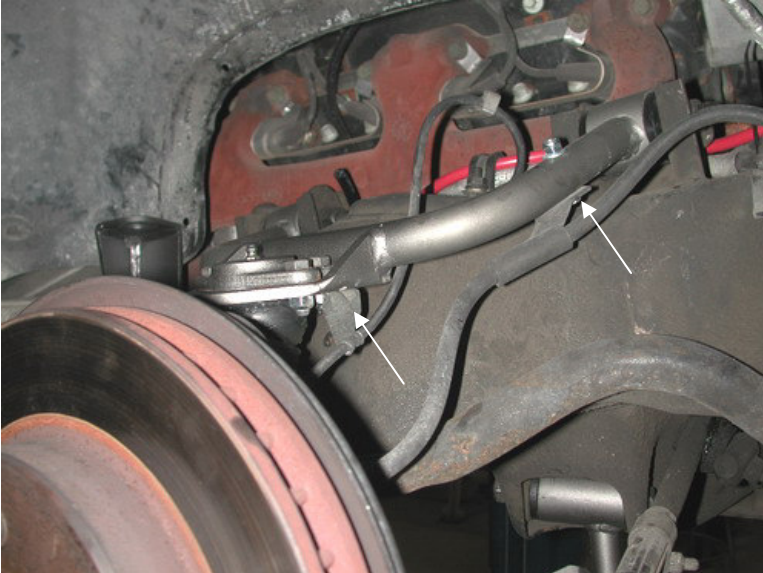
**Components:**

- |   |          |   |
|---|----------|---|
| 1 | 90000433 | Driver side upper arm   |
| 1 | 90000434 | Passenger side upper arm  |
| 2 | 90000900 | Ball joint (include boot, grease fitting, castle nut & cotter pin)            |
| 8 | 90001086 | Poly bushings half  |
| 4 | 90001097 | Inner bushing sleeve  |
| 4 | 99250001 | 1/4"-28 straight grease fitting – Lubricate frame bushing with Lithium grease |

# STRONG ARMS™

by Air Ride Technologies

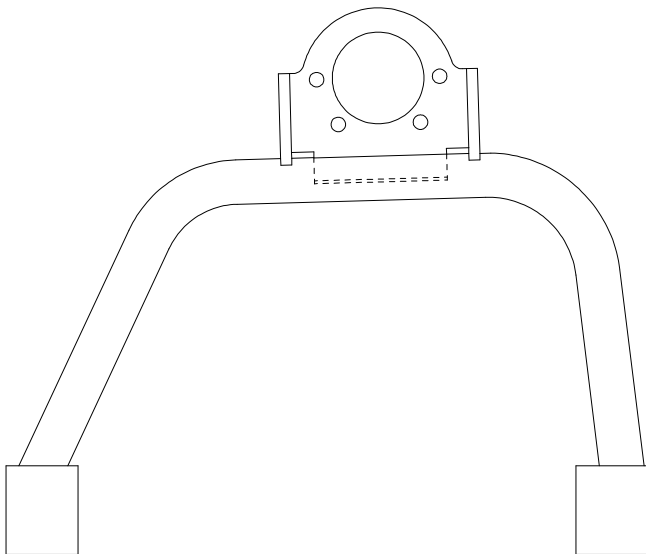
## Installation Instructions



1. After removing the factory upper control arm, clean the bushing mounting surfaces on the frame and lubricate with Lithium grease.
2. Drop ball joint down through upper arm. Fasten w/ the hardware supplied.
3. Bolt the arm to the frame using the factory camber bolts.

**Note:** The truck must be realigned before driving.

### 88-98 C1500 Driver Side Upper Strong Arms



4. Slide the rubber boot over the ball joint stud, then push the stud through the spindle, secure w/ the new castle nut and cotter pin.
5. Secure the brake line and ABS harness to the upper control arm. Allow enough slack for full suspension travel.
6. Screw Zerk fitting into ball joint and grease.
7. Lubricate frame bushing with Lithium grease.

# STRONG ARMS™

by Air Ride Technologies

Item #	Description	Qty.
1.	Passenger side arm	1
1.	Driver side arm	1
2.	Ball joint	2
3.	5/16"-24 x 1.5" hex bolt	8
4.	5/16"-24 hex nut	8
5.	5/16" lock washer	8
6.	Poly bushing half	8
7.	Inner bushing sleeve	4

