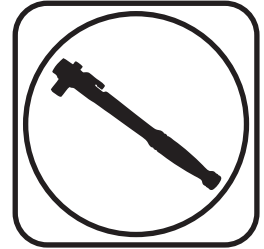




### Part # 11245010/11245110 - 1968-1972 GM A-Body StreetGrip

|                         |                             |
|-------------------------|-----------------------------|
| <b>Front Components</b> |                             |
| 11229590                | Delrin Control Arm Bushings |
| 90000894                | Tall Upper Ball Joint       |
| 11242350/11242351       | Front Dual Rate CoilSprings |
| 22149846                | Front HQ Series Shocks      |
| 11249120                | Front Sway Bar              |
| <b>Rear Components</b>  |                             |
| 57128266                | Rear Dual Rate CoilSprings  |
| 22189853                | Rear HQ Series Shocks       |
| 11229122                | Rear Sway Bar               |

#### Recommended Tools



# 1968-1972 GM A-Body Street Grip Installation Instructions

|                          |                                    |
|--------------------------|------------------------------------|
| <b>Table of contents</b> |                                    |
| Page 2.....              | Major Components and Hardware List |
| Page 3.....              | Getting Started                    |
| Page 4-6.....            | Delrin Bushings                    |
| Page 7-8.....            | Tall Upper Ball Joint              |
| Page 9.....              | Front Dual Rate CoilSpring         |
| Page 10-12.....          | Front Sway Bar                     |
| Page 13.....             | Rear Dual Rate CoilSpring          |
| Page 14-17.....          | Front and Rear HQ Series Shocks    |
| Page 18-20.....          | Rear Sway Bar                      |

The majority of the StreetGrip components will be installed together. For example, the Front CoilSprings, Ball Joint, Control Arm Bushings and Shocks will be installed in conjunction with each other. On the rear, the CoilSprings and Shocks will be installed in conjunction with each other. The Sway Bar will, typically, be installed after the rest of the components are installed.



### Major Components .....In the box

| Part #              | Description                                    | QTY |
|---------------------|--|-----|
| 55450700/55520750   | Front CoilSprings - Small Block/Big Block      | 2   |
| 57128266            | Rear CoilSprings                               | 2   |
| 90000894            | Tall Upper Ball Joint                          | 2   |
| 90000898            | Lower Ball Joint                               | 2   |
| 90002514            | Delrin Bushing Outer Shell - Upper Control Arm | 4   |
| 90002515            | Delrin Bushing Outer Shell - Upper Control Arm | 2   |
| 90002516            | Delrin Bushing Outer Shell - Upper Control Arm | 2   |
| 70012395            | Delrin Bushing - Upper Control Arm             | 4   |
| 70012397            | Delrin Bushing - Lower Control Arm             | 2   |
| 70012396            | Delrin Bushing - Lower Control Arm             | 2   |
| <b>Front Shocks</b> |  |     |
| 986-10-042          | 4.75" Stroke Stud Top Shock                    | 2   |
| 70011139            | 5/8" ID Shock Bushing (Installed in Shock)     | 2   |
| 90002069            | Standard T-Bar (Installed in Shock)            | 2   |
| 70011140            | Stud Top Bushing                               | 4   |
| 70011141            | Stud Top Bushing Washer                        | 4   |
| 99372006            | 3/8"-24 Jam Nut                                | 4   |
| <b>Rear Shocks</b>  |  |     |
| 986-10-020          | 7.55" Stroke Eye Top Shock                     | 2   |
| 70011139            | 5/8" ID Shock Bushing (Installed in Shock)     | 2   |
| 70011138            | 3/4" ID Shock Bushing (Installed in Shock)     | 2   |
| 90002068            | Wide T-Bar (Installed in Shock)                | 2   |
| 90002103            | 5/8" ID Shock Sleeve (Installed in Shock)      | 2   |
| 90001619            | Cantilever Bolt Kit                            | 2   |
| 11249120            | Front Swaybar Kit                              | 1   |
| 99501006            | 1/2"-13 x 3 1/2" Hex Bolt - Lower Control Arm  | 4   |
| 99502009            | 1/2"-13 Nylok Nut - Lower Control Arm          | 4   |



## **Getting Started.....**

Congratulations on your purchase of the Ridetech StreetGrip Kit. This system has been designed to give your Car excellent ride and handling along with a lifetime of enjoyment. Some of the key features of this Kit: Dual Rate CoilSprings, Delrin Control Arm Bushings, Larger Sway Bars with Delrin Liners and a Taller Upper Ball Joint.

The majority of the StreetGrip Components will be installed together. For example, the Front CoilSprings, Ball Joint, Control Arm Bushings and Shocks will be installed in conjunction with each other. On the rear, the CoilSprings and Shocks will be installed in conjunction with each other. The Sway Bars will, typically, be installed after the rest of the components are installed.

## **Hardware Kit .....#99010063**

The StreetGrip Kit is supplied with a hardware kit. This hardware kit contains individual bags for the different kits within the main kit. The bags are labeled to help determine the correct hardware for the installation of the specific kits. The instructions will aid you in selecting the correct hardware for each component. The bags included in this kit are:

- Front Sway Bar Kit
- Control Arm Kit
- Rear Sway Bar Kit

## **Front Suspension**

The front components that will need to be installed are: Control Arm Bushings, Upper Ball Joints, Shocks, and CoilSprings. The Sway Bar can be installed anytime after the rest of the front suspension is complete.

If you have never done this type of work before, we recommend getting a Factory Service Manual for proper procedures of disassembly and reassembly of the components for your car.

## **Rear Suspension**

The rear components that will be installed are; rear Dual Rate CoilSprings, and rear HQ Series Shocks.

## **Alignment Specs**

Anytime you change suspension components, you should have the car alignment checked.

### **Suggested Alignment Specs:**

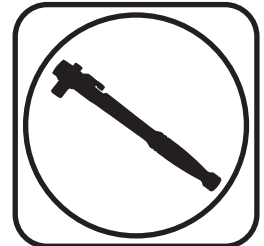
- Camber: Street: -.5 degrees
- Caster: Street: +3.0 to + 5.0 degrees
- Toe: Street: 1/16" to 1/8" toe in



**Part # 11229590 - 1964-1972 A-Body Delrin Control Arm Bushings**



### Recommended Tools



## 1964-1972 A-Body Delrin Control Arm Bushings Installation Instructions

Table of contents

Page 5..... Included Components and Hardware List

Page 6..... Bushing Installation

**IF YOUR CAR IS HAS AN OVAL BUSHING IN THE LOWER CONTROL ARM, IT WILL BE NECESSARY TO PURCHASE CONTROL ARMS THAT UTILIZE 2 ROUND BUSHINGS.**



### Major Components .....In the box

| Part #   | Description   | QTY |
|----------|---|-----|
| 70012382 | Upper Control Arm Bushing Outer Shell - Upper       | 4   |
| 70012385 | Lower Control Arm Bushing Outer Shell - Small Lower | 2   |
| 70012386 | Lower Control Arm Bushing Outer Shell - Large Lower | 2   |
| 70012419 | Delrin Upper Control Arm Bushing                    | 4   |
| 70012423 | Delrin Lower Control Arm Bushing - Small Lower      | 2   |
| 70012424 | Delrin Lower Control Arm Bushing - Large Lower      | 2   |
| 90002521 | Upper Control Arm Bushing Inner Sleeve              | 4   |
| 90000516 | Lower Control Arm Bushing Inner Sleeve              | 4   |

#### Hardware Bag - Control Arm Kit

| Part #   | Description                | Usage                         | QTY |
|----------|----------------------------|-------------------------------|-----|
| 99501006 | 1/2" -13 x 3 1/2" Hex Bolt | Lower Control Arm to Frame    | 4   |
| 99502009 | 1/2" -13 Nylok Nut         | Lower Control Arm to Frame    | 4   |
| 99373005 | 3/8" Split Lock Washer     | Upper Control Arm Shaft Bolts | 4   |

### Getting Started.....

The Front Control Arms will need to be removed from the car. Refer to the Factory Service Manual for disassembly procedure.

**This A-Body Bushing Kit contains: 4 Upper Control Arm Bushing Assemblies and 4 Lower Control Arm Bushing Assemblies. The Upper Bushings are all the same; there are 2 different diameter Lower Bushings with the larger diameter Bushing being the Rear Bushing. Be sure to match the correct Bushings with the correct locations.**

There are several different ways that the Bushings can be removed from the Control Arms. If you have an Air Chisel, a Wide Flat Bit works well. If you don't have access to an Air Chisel, they can be removed by first, Drilling out the rubber with a Hand Drill and Drill Bit. With the Rubber removed, distort the Bushing Shell with a Hammer and Chisel and Knock it out. No matter the process used, the main objective is to **NOT** distort the Control Arm.

**WE RECOMMEND MARKING DRIVER AND PASSENGER CONTROL ARMS AND CROSS SHAFTS. ALSO, MARK THE ORIENTATION OF THE CROSS SHAFTS.**

1. Measure the Outside Width of the Control Arms and write it down before starting Bushing Removal. You will use this Dimension to check the Control Arms after the new Delrin Bushings are installed.

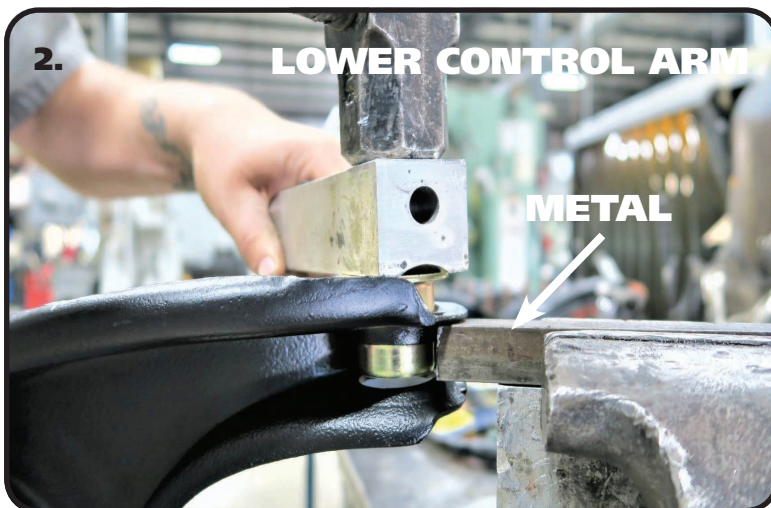


### Delrin Bushing Installation

The Cross Shaft must be put in place before installing the Bushing Shells in the Upper Control Arm.

Just like Bushing Removal, there are several ways the Delrin Bushing Assemblies can be installed. No matter the method used, the Control Arm needs to be **SUPPORTED** to keep from distorting the Control Arm. We recommend cutting spacers to go inside the Control Arms when using a Press to install the Bushings. We have used several different methods to install the Bushing Assemblies, we are going to cover the one that worked best for us. When installing the Bushings, the Outer Shell will be installed in the Arm by itself. Next, Press in the Delrin Bushing, followed by the Inner Sleeve. **WE DO NOT RECOMMEND INSTALLING THE BUSHINGS COMPLETELY ASSEMBLED.**

**Note:** The Delrin is self-lubricating, no lubricant is needed.



**2. Disassemble the Bushing being installed. If installing Bushings in the Upper Control Arm, insert the Cross Shaft before installing any Bushings.** Support the Back Side of the Flange the Bushing is being Installed in. Use a STIFF piece of Metal clamped in a Bench Vise for the Lower Control Arms (**Figure 2**). The Upper Control Arm can be supported by either the same piece of Metal or by the Bench Vise with the Jaws opened wide enough to let the Bushing Shell pass through (**Figure 3**).

**3.** Use another Piece of Metal or Strong Wood to Drive the Outer Shell into the Control Arm until the Shell stops against the Control Arm.



**4.** Press the Delrin Bushing into the Bushing Shell followed by the Inner Sleeve. **DO NOT DRIVE IN WITH HAMMER.**

**5.** Reinstall the Outer Washer using the OEM Bolt, but replace the Lock Washer with the supplied Lock Washer. Tighten Hardware to eliminate any gaps between the Bushings and Cross Shaft.

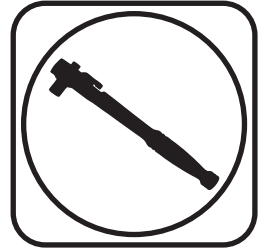
**6.** Reattach Control Arms to Car. Use the OEM Hardware to attach the Upper and the Supplied 1/2"-13 x 3 1/2" Hex Bolts and Nylok Nuts to Install the Lower Control Arms.



### Part # 90000894 - A/F/X Tall Upper Ball Joint



#### Recommended Tools



## A/F/X Tall Upper Ball Joint Installation Instructions

|  |
|--|
| Table of contents  |
| Page 8..... Included Component & Ball Joint Installation |

DUE TO THE SHANK OF THE BALL JOINT BEING LONGER, THE BALL JOINT BOOT IS DESIGNED TO SEAL ON THE BALL JOINT SHANK. IT DOES NOT SEAL AGAINST THE SPINDLE.



### Major Components .....In the box

| Part #   | Description                 | QTY |
|----------|-----------------------------|-----|
| 90000894 | A/F/X Tall Upper Ball Joint | 2   |
| 90000898 | Lower Ball Joint            | 2   |

### Ball Joint Installation

The Tall Upper Ball Joint is used in the StreetGrip Kit to help correct the Camber Gain. The Camber Gain on the OEM Suspension is incorrect and the Tall Ball Joint repositions the Upper Control to help improve the Camber Gain.

**The Upper Ball Joint will need to be disconnected from the Spindle. Refer to the Factory Service Manual for Disassembly.**



**1.** If your Ball Joints are Bolted to the Control Arms, simply unbolt them. If your car has the Original Ball Joints, they will be Riveted to the Control Arms. The Rivets can be removed by Grinding the Heads off and driving them out with a Hammer and Punch.

**NOTE. WE RECOMMEND MARKING DRIVER AND PASSENGER CONTROL ARMS.**



**2.** Insert the Ball Joint into the Control Arm from the top side of the Control Arm with the Ball Joint Pin Sticking down. Attach it to the Control Arm with the Hardware Supplied with the Ball Joint. Torque the Hardware to 14 ftlbs. Engage the Ball Joint Pin into the Spindle and install the Castle Nut Supplied. Torque the Castle Nut to 50 ftlbs and tighten to align Cotter Pin Hole. Install Cotter Pin through Hole and Bend Pins to prevent falling out.

**3.** Replace the lower ball Joint by pressing the old one out and pressing the new one in. If you don't have a press, one can be rented from your local auto parts store.

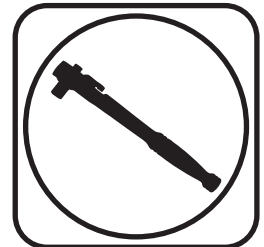




**Part # 11242350/11242351 - 1968-1972 A-Body Front CoilSpring**



### Recommended Tools



## 1968-1972 A-Body Front CoilSprings Installation Instructions

**CoilSpring # 55450700** Small Block /**55520750** Big Block **Installation**

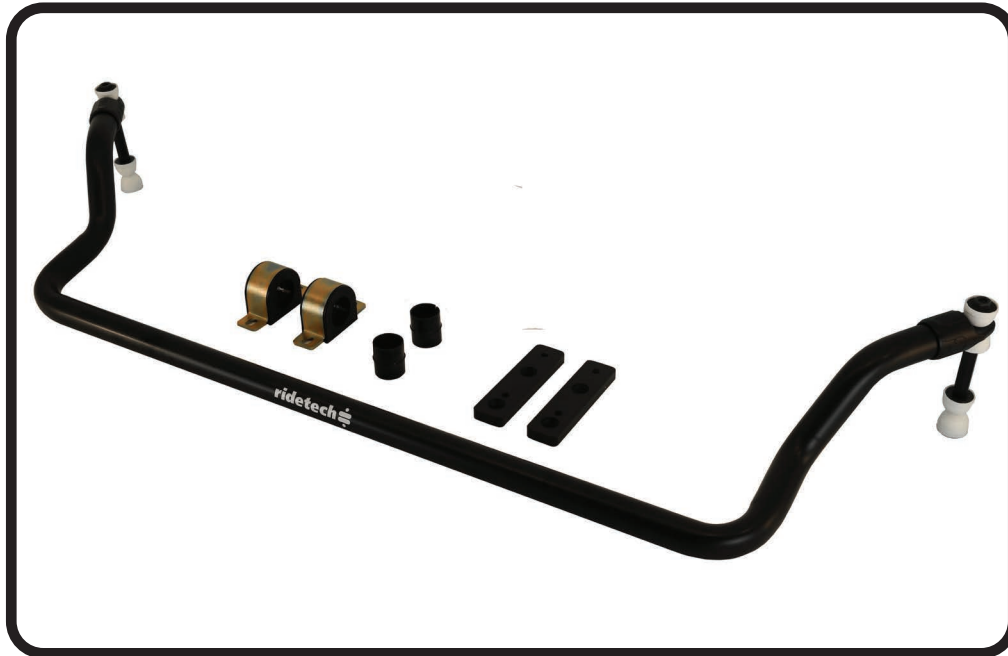
Front dual-rate spring will allow the vehicle to transition small road irregularities via a soft spring rate. When the vehicle compresses the spring far enough (through large bumps or cornering), it transitions to the firmer spring rate to control the bump or body roll. We have worked closely with Hyperco to develop custom dual rates to ensure the best ride possible.

**The Front Control Arm Bushings and Upper Ball Joint should be installed before installing spring. The Front Suspension should be assembled with the Lower Ball Joint disconnected from the Spindle.**

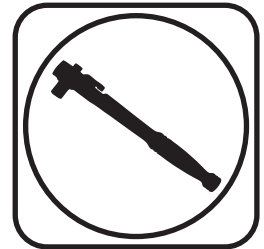
1. Compress the CoilSpring with an Internal Spring Compressor with the **CLOSE COILS TO THE BOTTOM**.
2. With the OEM Spring Removed, insert the CoilSpring into the Pocket. **SPECIAL ATTENTION NEEDS TO BE PLACED ON THE LOCATION OF THE ENDS OF THE SPRINGS TO MAKE SURE THEY ARE CLOKED CORRECTLY** . The end of the CoilSpring will nest into the receiver area of the Control Arm. If you line up the bottom, the top will be correct.
3. While holding the Spring in place, Slowly Jack the Lower Control Arm up until the Lower Ball Joint can be Engaged into the Spindle. Install the Castle Nut and Torque to 65 ftlbs then tighten as needed to align cotter pin hole. Install Cotter Pin. Once the Ball Joint is tight, remove the Spring Compressor.



### Part # 11249120 - 1968-1972 GM A-Body Front Sway Bar



#### Recommended Tools



## 1968-1972 GM A-Body Front Sway Bar Installation Instructions

#### Table of contents

- Page 11..... Included Components and Hardware List
- Page 12..... Sway Bar Installation

#### Hardware Torque Specifications

- 5/16"-16..... 17 ftlbs
- 3/8"-16..... 30 ftlbs

# Major Components .....In the box

| Part #   | Description                   | QTY |
|----------|-------------------------------|-----|
| 90001226 | Front Sway Bar                | 1   |
| 90002933 | End Link Kit                  | 1   |
| 70012394 | Delrin Sway Bar Bushing Liner | 2   |
| 90002513 | Bushing Strap                 | 2   |
| 90001099 | Sway Bar Bushing              | 2   |
| 90001254 | Bushing Mount Adapter         | 2   |
| 90002263 | Red Loctite                   | 1   |

## HARDWARE BAGS

| QTY                  | Part Number | Description                 |
|----------------------|-------------|-----------------------------|
| <b>ADAPTER PLATE</b> |             |                             |
| 2                    | 99371032    | 3/8"-16 x 1 1/4" Flat Head  |
| 2                    | 99311025    | 5/16"-18 x 1 1/4" Flat Head |
| 2                    | 99371005    | 3/8"-16 x 1 1/4" Hex Bolt   |
| 2                    | 99311011    | 5/16"-18 x 1 1/4" Hex Bolt  |
| 2                    | 99373002    | 3/8" Flat Washer            |
| 2                    | 99313001    | 5/16" SAE Flat Washer       |
| 2                    | 99373006    | 3/8" Split Lock Washer      |
| 2                    | 99313003    | 5/16" Split Lock Washer     |
| 1                    | 90002263    | Red Loctite                 |

| QTY                  | Part Number | Description             |
|----------------------|-------------|-------------------------|
| <b>BUSHING STRAP</b> |             |                         |
| 4                    | 99371065    | 3/8"-16 x 3/4" Hex Bolt |
| 4                    | 99373002    | 3/8" Flat Washer        |
| 4                    | 99373006    | 3/8" Split Lock Washer  |

## Getting Started.....

This Sway Bar Kit utilizes a Delrin Liner in the Sway Bar Bushing. The Delrin Liner allows the Sway Bar to move freely and quietly in the Bushing. The Delrin is self-lubricating, no lubrication is required.

**Note: The threaded holes in the frame can be either 5/16"-18 or 3/8"-16. Hardware is supplied for both.**

1. Jack the vehicle up to a safe working height and support with jack stands. Make sure the jack stands are stable before working under the car.
2. Remove the stock sway bar.
3. After removing the stock sway bar, determine what size hardware the frame will require.



**4.** Open the Delrin Liner at the split and slip it over the Sway Bar. Position it in the area that the bushing will ride based on the location of the stock swaybar. Do this on both ends of the swaybar.

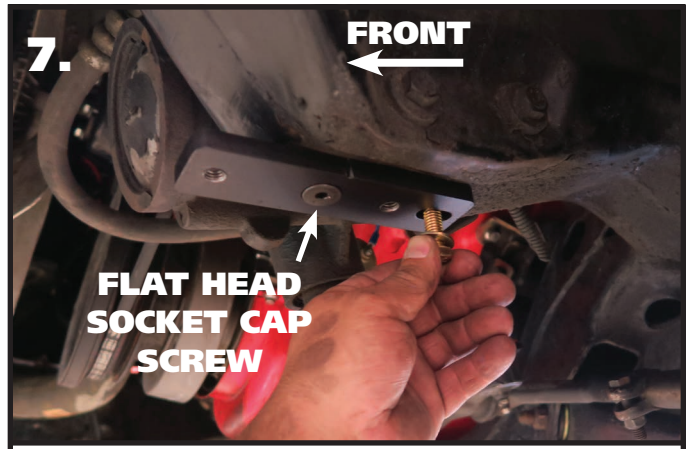


**5.** Open the Sway Bar Bushing at the split and slide it **OVER** the Delrin Liner. Do this on both Delrin Liners.



6.

6. Slip the Bushing Straps over the Sway Bar Bushings.



7.

FRONT  
←

FLAT HEAD  
SOCKET CAP  
SCREW

7. Hold the Frame Plate up to the OEM holes, the Counter Sunk hole will be positioned over the front hole with the slot to the rear. Apply Red Loctite to the Flat Head Bolt. The rear 1 1/4" long bolt uses a Split Washer and Flat Washer. Torque Hardware.



8.

8. Slide the Sway Bar into position on the car with the Sway Bar arms above the tie rods. Install a 3/8" Lock Washer & 3/8" Flat Washer on the 3/8"x 3/4" Hex Bolts. Do **NOT** Complete tighten the Hardware, it will be left partially loose until the End Links are installed.

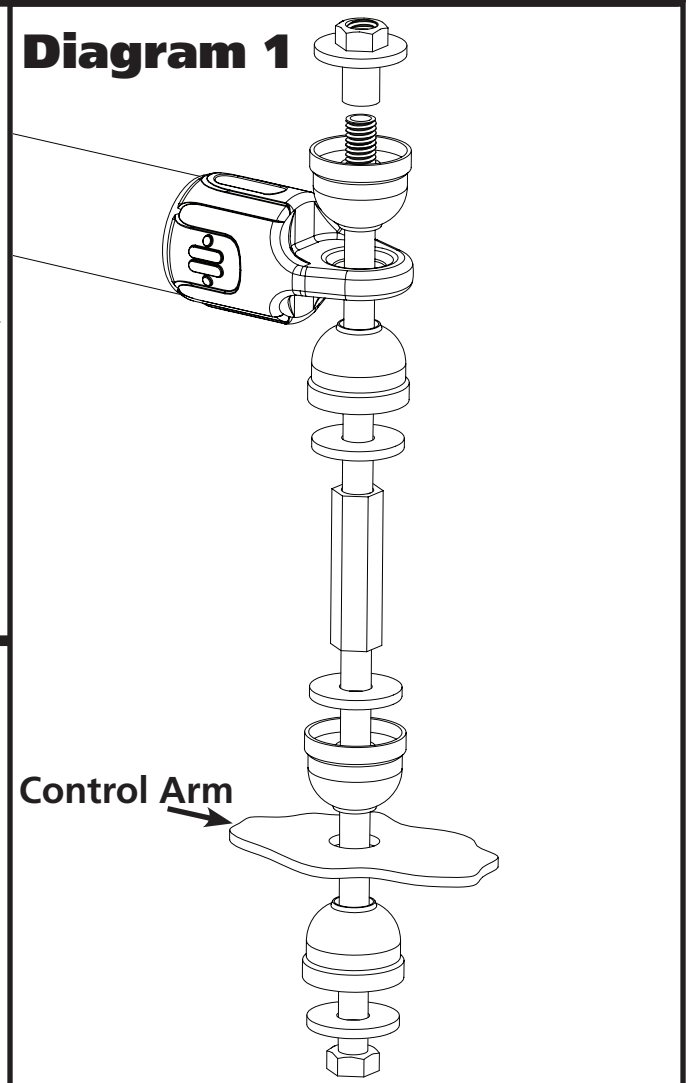


Diagram 1

Control Arm



9

9. Install the End Links using **Diagram 1** as a reference. Install both end links before tightening the end link hardware. Tighten the end link barrel nut until it is flush with the end of the bolt, and then tighten it 2 more complete rounds.

10. Torque the Sway Bar mounting hardware to 30 ftlbs.



### Part # 11244799 - 1968-1972 A-Body Rear CoilSpring



#### Recommended Tools



## 1968-1972 A-Body Rear Dual Rate CoilSprings

# Installation Instructions

### CoilSpring # 57128266 Installation

Rear dual-rate spring will allow the vehicle to transition small road irregularities via a soft spring rate. When the vehicle compresses the spring far enough (through large bumps or cornering), it transitions to the firmer spring rate to control the bump or body roll. We have worked closely with Hyperco to develop custom dual rates to ensure the best ride possible.

**The Rear Shocks should be installed at the same time as the Rear CoilSprings.**

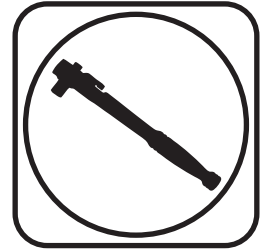
1. Refer to the Factory Service Manual for CoilSpring Removal.
2. With the OEM Spring Removed and the Top of the StreetGrip Rear Shocks Bolted to the Frame, **Position the Spring in the Rear CoilSpring Pocket with the Large Diameter up in the Pocket.**
3. While holding the Spring in place, Slowly Jack the Differential up until the bottom Shock Mounting can be attached. Refer to Shock Instructions for proper Shock Assembly.



### Front & Rear HQ Series Shocks



#### Recommended Tools



## Front & Rear HQ Series Installation Instructions

### Table of contents

|      |         |                                       |
|------|---------|---------------------------------------|
| Page | 16..... | Rear Shock Installation               |
| Page | 17..... | Front Shock Installation              |
| Page | 18..... | Front Shock Installation & Adjustment |



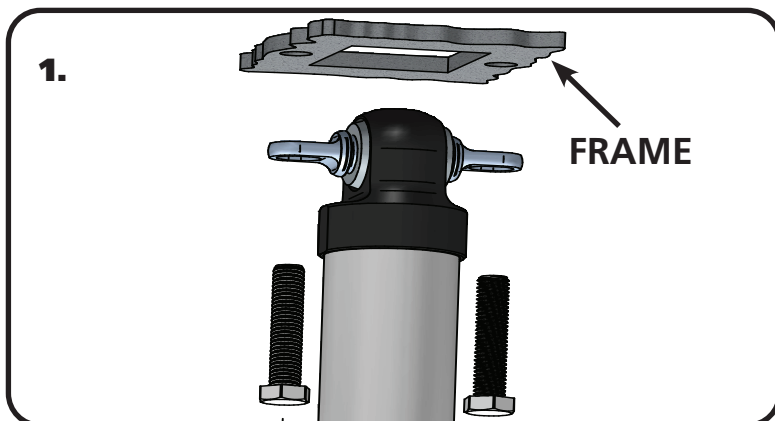
### Rear - Part # 22189853 - 7.55" HQ Series Shocks

#### Major Components .....In the box

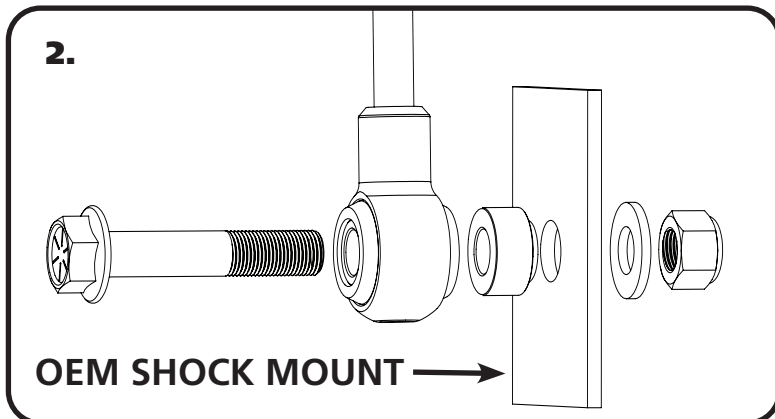
| Part #     | Description                                | QTY |
|------------|--|-----|
| 986-10-020 | 7.55" Stroke Shock                         | 2   |
| 70011139   | 5/8" ID Shock Bushing (Installed in Shock) | 2   |
| 90002068   | Wide Trunnion (Installed in Shock)         | 2   |
| 70011138   | 3/4" ID Shock Bushing (Installed in Shock) | 2   |
| 90002102   | 1/2" ID Shock Sleeve (Installed in Shock)  | 2   |
| 90001619   | Cantilever Pin Bolt Kit                    | 2   |

### Shock Installation

The Rear Shocks will be installed in conjunction with the Rear CoilSprings.



1. With the OEM Shock removed, install the Ridetech shock. Attach the Top of the Shock in the OEM Location using the OEM Hardware. It may be necessary to rotate the Trunnion to get it in the correct position. This can be done by sticking a screwdriver in one of the slots and spinning the trunnion in the shock bushing.



2. The Lower Shock is Bolted to the Lower OEM Mount using the supplied Cantilever Bolt Kit. Insert the Cantilever Bolt into the Shock Bushing. Next, Slide the Aluminum Spacer onto the Threads of the Cantilever Bolt. With the CoilSprings in place, Jack the Rear Differential up until the Shocks can be Bolted in place. Insert the Assembly into the OEM Shock Hole. Install the supplied Flat Washer and Nylok Nut onto the Threads and tighten.



### Front- Part #22149846 - 4.75" Stroke HQ Series Shocks

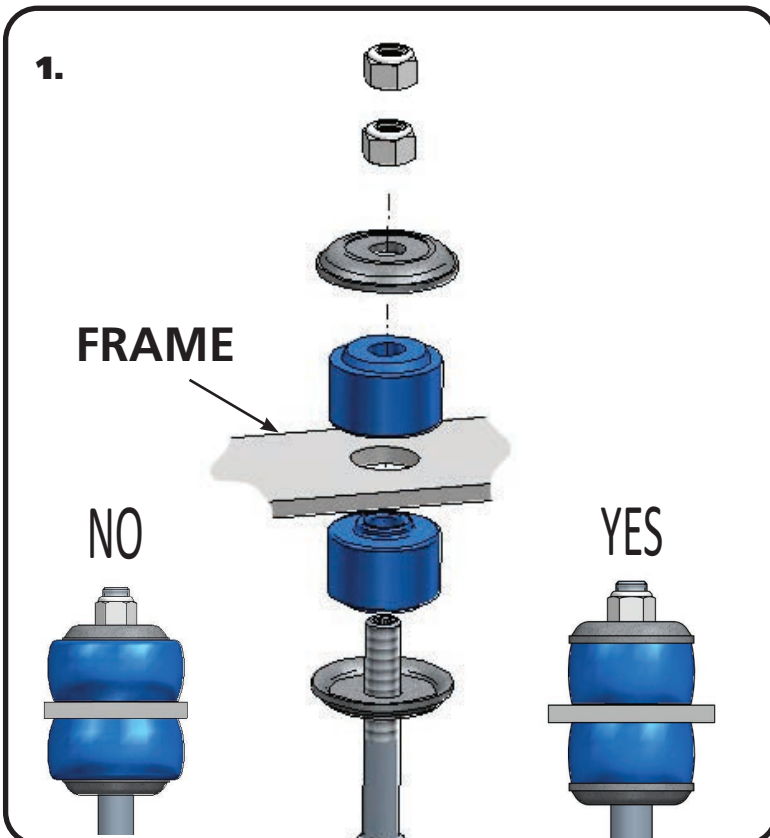
#### Major Components .....In the box

| Part #     | Description                                | QTY |
|------------|--|-----|
| 986-10-042 | 4.75" Stroke Shock                         | 2   |
| 70011139   | 5/8" ID Shock Bushing (Installed in Shock) | 2   |
| 90002069   | Standard Trunnion (Installed in Shock)     | 2   |
| 70011141   | Bushing Support Washer                     | 4   |
| 70011140   | Stem Bushing                               | 4   |
| 99372006   | 3/8"-24 Thin Jam Nut                       | 4   |

**Due to manufacturing tolerances it may be necessary to clearance the Control Arm to get the Shock through the Control Arm opening.**

### Shock Installation

Before installing the Shocks, the Control Arm Bushings, Upper Ball Joint, and Coil-Springs should be installed.



1. With the OEM shock removed, install the Ridetech shock. Remove the adjuster knob by loosening the set screw using the supplied Hex Key. Install a Bushing Support Washer on to the shock shaft followed by a Shock Stem Bushing. Insert the assembly through the factory shock hole in the frame. With the shock stud sticking through the frame, install a Shock Stem Bushing on to the shock stud followed with a Bushing Support Washer. Install a 3/8"-24 Thin Jam nut onto the threads and tighten to 35 inlbs. The Bushing should be tight, but not to the point that the bushing is bulging past the Support Washer. Install the 2nd 3/8"-24 Thin Jam nut and tighten it against the first nut. Reinstall the Adjuster Knob, align the set screw with the FLAT side of the adjuster shaft that is sticking out of the top of the shock shaft.

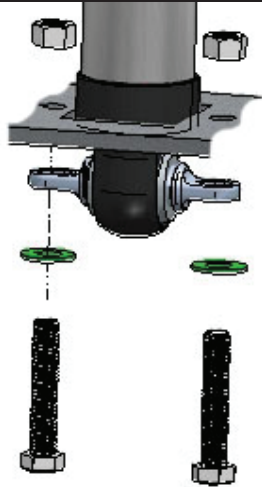
**NOTE:** It may be necessary to remove the OEM Speed Nuts from the Control Arm to allow room for the Shock to slide through the opening in the Control Arm. The Speed Nuts can be reinstalled after the Shock is in position.





### Shock Installation and Adjustment

2.



2. Attach the Trunnion to the OEM Control arm using the OEM hardware. It may be necessary to rotate the Trunnion to get it in the correct position. This can be done by sticking a screwdriver in one of the slots and spinning the trunnion in the shock bushing.

### Shock adjustment 101- Single Adjustable

#### Rebound Adjustment:

How to adjust your new shocks

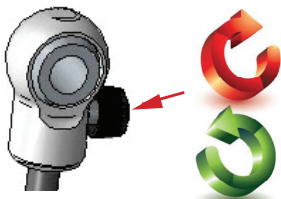
The rebound adjustment knob is located on the top of the shock absorber protruding from the eyelet or stud top. You must first begin at the ZERO setting, then set the shock to a street setting of 12 or handling setting of 8.



-Begin with the shocks adjusted to the ZERO rebound position (full stiff). Do this by rotating the rebound adjuster knob clockwise until it stops.

-Now turn the rebound adjuster knob counter clockwise 12 clicks. This sets the shock at 12 for a street setting. If you are after a handling setting only go 8 clicks.

#### Take the vehicle for a test drive.



-if you are satisfied with the ride quality, do not do anything, you are set!

-if the vehicle is too soft increase the damping effect by rotating the rebound knob clockwise 3 additional clicks.

-if the vehicle is too stiff rotate the rebound adjustment knob counter clock wise 2 clicks and you are set!

Take the vehicle for another test drive and repeat the above steps until the ride quality is satisfactory.

#### Note:

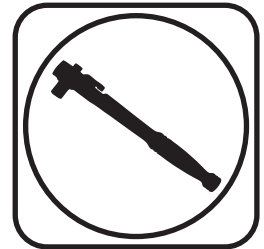
**One end of the vehicle will likely reach the desired setting before the other end. If this happens stop adjusting the satisfied end and keep adjusting the unsatisfied end until the overall ride quality is satisfactory.**



**Part # 11229122 - 1964-1972 A-Body Rear Sway Bar**



**Recommended Tools**



**1964-1972 A-Body Rear Sway Bar  
Installation Instructions**

|                   |                                       |
|-------------------|---------------------------------------|
| Table of contents |                                       |
| Page 19.....      | Included Components and Hardware List |
| Page 20.....      | Sway Bar Installation                 |



### Major Components & Hardware ....In the box

| Part #   | Description        | QTY |
|----------|--------------------|-----|
| 90002491 | Rear Sway Bar      | 1   |
| 90002501 | Control Arm Spacer | 4   |

#### Hardware Bag - Rear Sway Bar Kit

| Part #   | Description            | Usage                   | QTY |
|----------|------------------------|-------------------------|-----|
| 99431003 | 7/16"-14 x 3" Hex Bolt | Sway Bar to Control Arm | 4   |
| 99432001 | 7/16"-14 Nylok Nut     | Sway Bar to Control Arm | 4   |
| 99433002 | 7/16" SAE Flat Washer  | Sway Bar to Control Arm | 8   |

### Getting Started.....

If your Car is Equipped with an OEM Sway Bar or has provisions for a Sway Bar, skip to Step #3

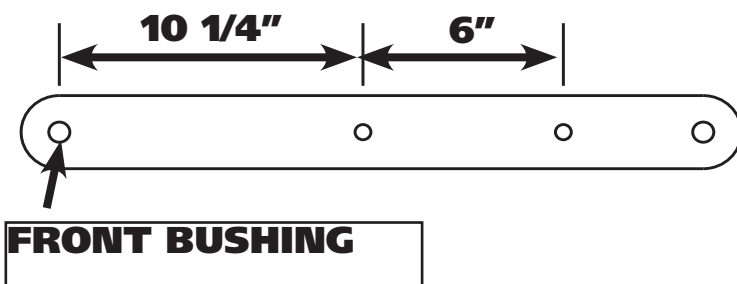
If your Car wasn't equipped with a Sway Bar, you will need to Drill Holes in the Lower Control Arms to attach the supplied Sway Bar.

Your Car may have 1 Hole, it will be used for the Front Bolt Hole.

If your Car has Aftermarket Arms that have a Provision for a Sway Bar, this Sway Bar will fit them.

### Sway Bar Installation

3.



1. Some Cars have a Small Hole at the Front Bolt Location, if yours has it, Drill it out with a 7/16" Drill Bit and then Mark a Hole 6" towards the rear of the Car and Drill. If your Car has no Holes, Measure back 10 1/4" from the center of the Front Bushing and make a mark centered top to bottom. Next measure back 6" from your first mark and Mark the Second Hole centered Top to Bottom. Drill the Locations with a 7/16" Drill Bit going through both Sides of the Arm. Repeat for both Arms.



### Sway Bar Installation



2. Insert the Supplied Spacer into the inside of the Control Arm at the Hole Locations. These Spacers will get Clamped in place by the Mounting Hardware after the Sway Bar is installed. These can be welded in place if desired.



3. Slide the bar in Place with the **LOW** part of the bar down. Install a 7/16" washer on one of the 7/16"-14 x 3" Bolts and install one in each Front Hole to help hold it in place. Swing the Sway Bar into position and insert the Rear Bolt/Washer. Tighten Hardware.