

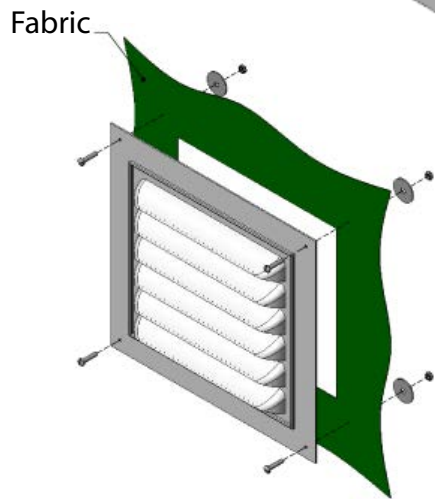
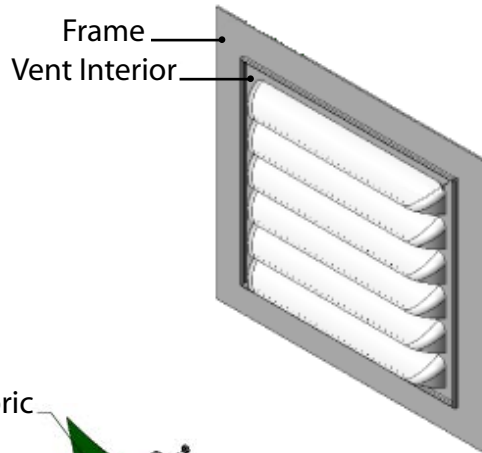
RHINO SHELTER VENT KIT ASSEMBLY

STEP 1: Locate Desired Position For Vent.

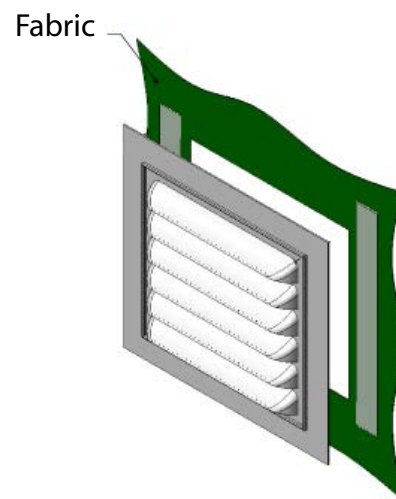
STEP 2: With Marker, Lightly Mark The Perimeter Of The Interior Section Of The Vent That Is Touching The Fabric.

STEP 3: Set Vent Aside. Locate New Marks And Carefully Cut Out Marked Area. Cut-Out Area Should Be Equal To The Area Of The Vent Minus The Frame.

STEP 4: Attach As Indicated Above Using One Of The Methods Described (please note that mounting hardware is NOT included due to the variety of mounting methods available).



BOLTS & WASHERS



**HEAVY DUTY
DOUBLE-SIDED TAPE**

Typical Vent Locations:

- Directly Above Door Front and Back
- Along Sidewall
- Along the Eave of the Roof (house style units only)



An Example of the Vent Kit Being Used Directly Above Roll Up Door.



Check out the collection of covers world we offer.