



14' x 42' x 15'

RV Portable Building

Protect Your Investments from Inclement Weather & Sun Damage

Rhino Shelter 14 x 42 x 15 RV Portable Building provides the best in portable protection for any purpose. Typical uses include RV storage, Boat storage, Tractor-trailer storage. The house style unit provides extra space along the sides of the enclosure, with maximum height near the center ridge. The pre-drilled frame is easily assembled with minimal handtools. All frame components are made from heavy duty galvanized steel. Main cover and doors are made from long life UV Resistant, Fire Retardant Polyethylene with woven backing.

All fabric components feature heat-welded seam construction. Unit features double zipper door on **BOTH ENDS** to allow drive-through capability, and good ventilation. Each door contains a pocket for a rigid pole at the base edge. The long lasting cover design with full flap provides for run-off of rain or melting snow and diverts water from getting in through the perimeter of the cover. Each unit comes equipped with a set of earth anchors with a 36" stainless steel tether and drive rod, to secure the unit at each corner, and at every frame arch.

Exclusive Features

- Heavy-Duty Galvanized Finish on All Steel Frame Components
- Two (2) Double Zipper Doors Standard
- Wind Brace Support on each Side
- Complete Anchoring System Included
- 10oz, CPAI-84 Polyethylene Fabric Backed Cover and Doors
- All Pre-Drilled, Easy Bolt Together Assembly

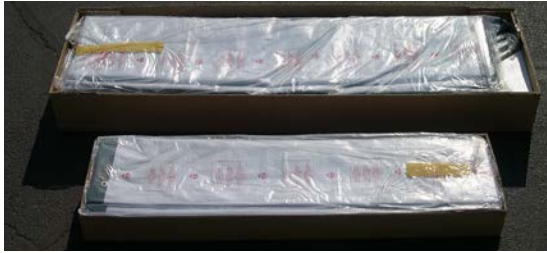
Normal Size	14' Wide x 42' Long x 15' High
Arches	Eleven (11) on 48" spacing 2-3/8" diameter frame members
Standard End Door Size	12' Wide x 11'8" High at edge double zipper door each end
Colors	Exterior- green or grey Interior - bright white

Main Cover	UV protected 24 mil, fabric backed poly. 10 oz weight
Fire Retardant Standard	Main cover and doors meet CPAI-84 Section 5
Anchors	Twenty-two (22) 36" Anchors with U-bolts & drive rod
Shipping Weight	1350 lbs. in eleven (12) boxes shipped via motor freight





RV PORTABLE BUILDING 14'x42'x15'



Consumer friendly packaging - Easy to handle 11 box shipment



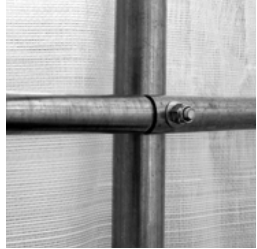
All frame members are long life galvanized steel



Structural wind brace on each corner



Heavy-Duty Cover lacing



Pre-Drilled, Bolt together frame



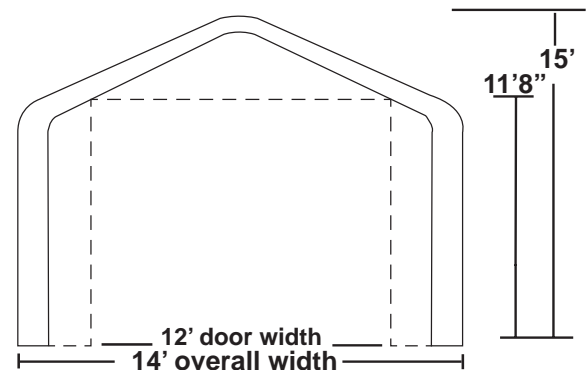
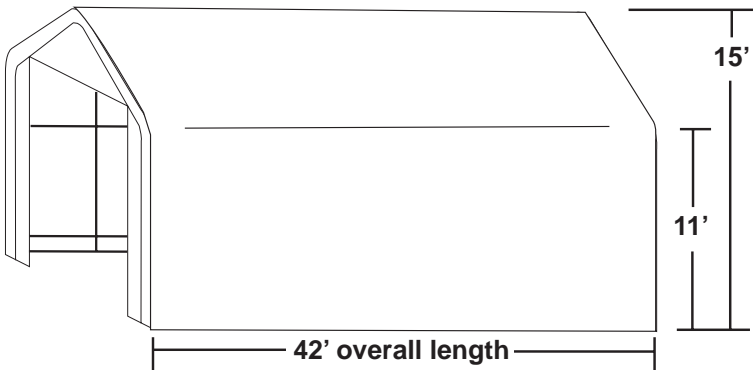
Roll-Up Door Kit



Withstands winter weather



Heavy-Duty Anchors



More Fine Products from *Rhino Shelter™*



One Car Garages



SUV/Boat Garages



Large Buildings



Two Car Garages

Car & Cycle Pockets



Party Tents 14' - 32' long



Spec 1RV 406
06/07

Check out the collection of covers world we offer.