



# RHINO-RACK

Aerodynamic & Heavy Duty Roof Rack Systems

## RWLB Rhino Commercial - Work Light Bracket

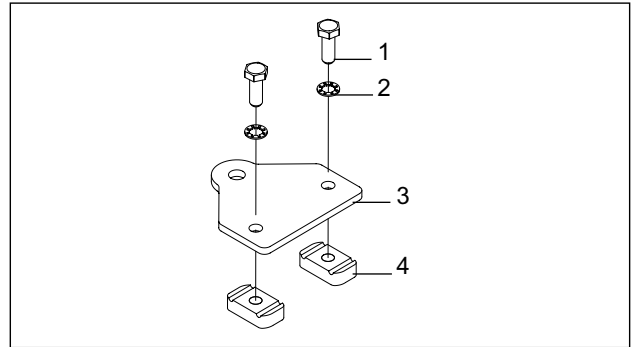
Place these instructions in the vehicle's glove box after installation is complete.

**Important:** Please read these instructions carefully prior to installation.  
Please refer to your fitting instruction to ensure that the roof racks are installed in the correct locations.

### Parts List

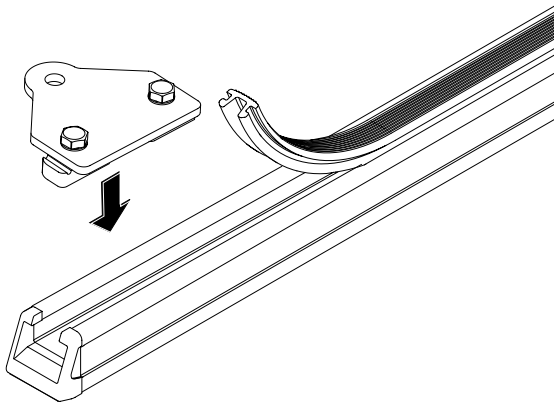
Important: Check the contents of kit before commencing fitment and report any discrepancies.

Item	Component Name	Qty.	Part No.
1	M8 x 22mm Hex Head Setscrew	2	B076
2	M8 Shake Proof Washer	2	W033
3	Work Light Bracket	1	A118
4	M8 Channel Nut	2	N003
5	Fitting Instruction	1	RR91



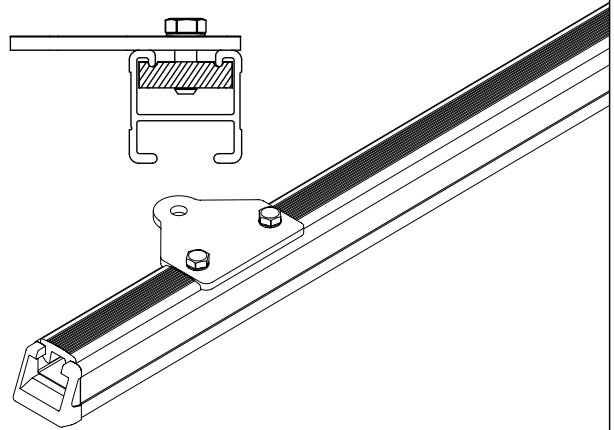
Locate the work light bracket to the top recess of the crossbar.

**1**



Locate the channel nut into the crossbar recess, turn the attachment bolt so that the channel nut rotates and locates across the crossbar. Adjust the position of the bracket and tighten the attachment bolt. Check that the channel nut is fully located across the crossbar after tightening. Trim rubber buffer strip to suit.

**2**



Mount work light onto work light bracket.

**3**

