



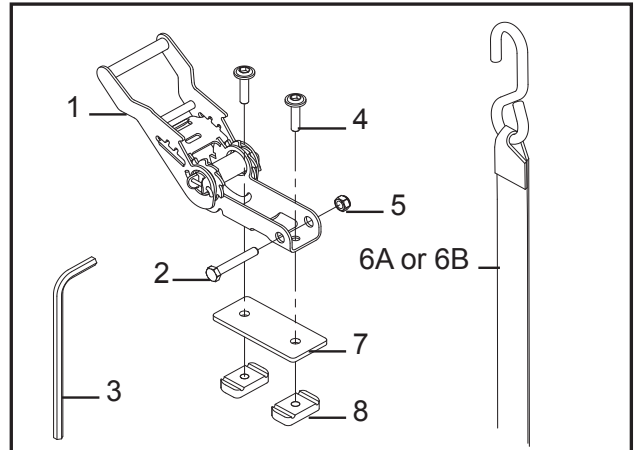
# RHINO-RACK

## RRG, RRGL Rhino Commercial - [Ratchet Grab With Strap](#)

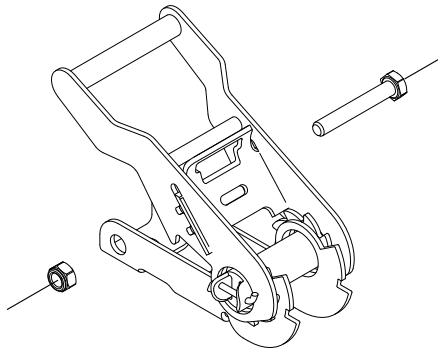
**Important:** Please read these instructions carefully prior to installation. Please refer to your fitting instruction to ensure that the bike rack is installed in the correct locations. Check the contents of kit before commencing fitment and report any discrepancies. Place these instructions in the vehicle's glove box after installation is complete.

### Parts List

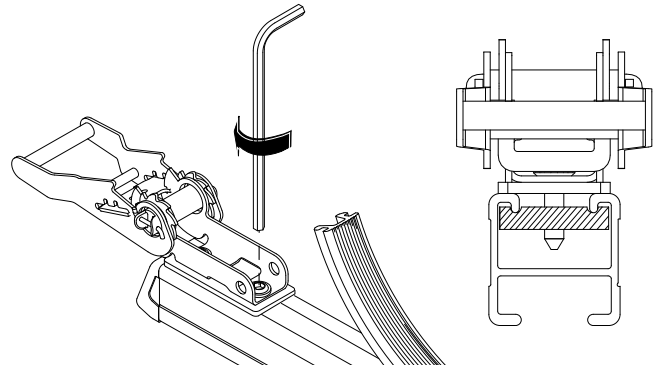
Item	Component Name	Qty	Part No.
1	25mm Stainless Steel Ratchet	1	C062
2	M6 x 44mm Hex Head Bolt	1	B133
3	5mm Hex Allen Key	1	H002
4	M6 x 25mm S/S Serrated Screw	2	B131
5	M6 Nyloc Nut	1	N013
6A	2.0m Black Strap with Hook	1	C031
6B	4.0m Black Strap with Hook	1	C090
7	80mm x 35mm x 4mm Ratchet Plate	1	C041
8	M6 Channel Nut	2	N002
9	Fitting Instruction	1	RR15



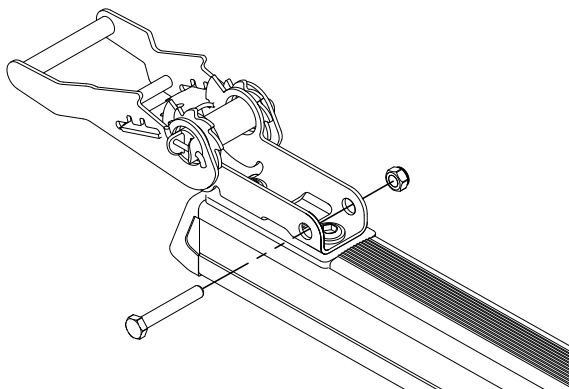
- 1** Remove the M6 x 44mm nyloc nut and M6 x 44mm hex head bolt.



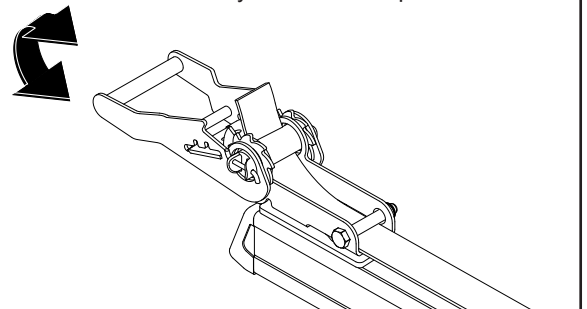
- 2** Place the ratchet assembly onto the Rhino crossbar. Using the allen key turn the M6 x 25mm serrated screws so that the channel nut rotates and locates across the crossbar, tighten. Check that the grooves in the channel nuts locate in the crossbar section when tightened. Trim rubber buffer strip to suit.



- 3** Assemble the M6 x 44mm hex head bolt through the ratchet body and fit the nyloc nut. Tension the nut to 5NM, enough to allow the M6 x 44mm hex head bolt to rotate.



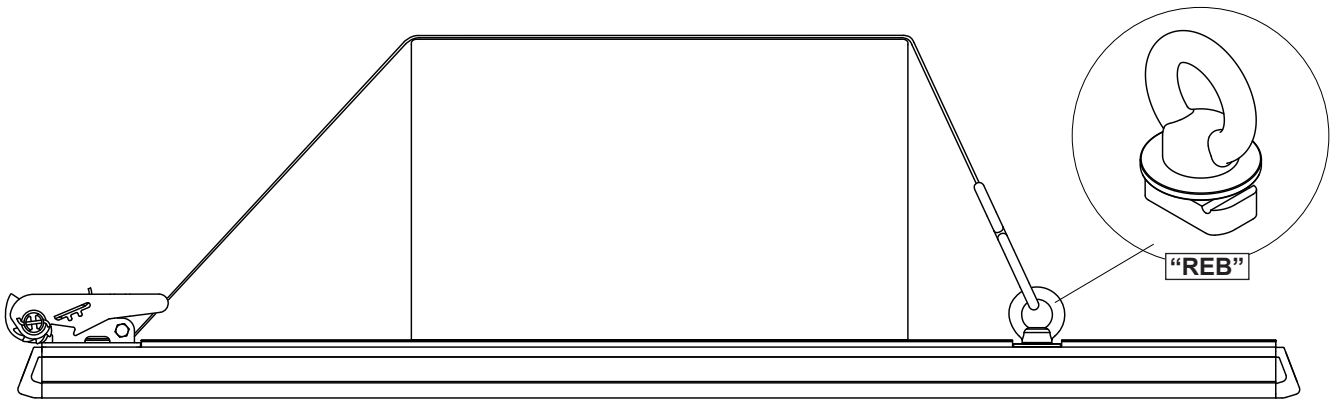
- 4** Insert the webbing strap under the M6 x 44mm hex head bolt and thread through the slot in the ratchet spool. When fastening loads, pull the strap through the spool slot until the webbing strap is firm. Tension fully by cycling the ratchet lever backwards and forwards. To release the webbing strap, lift the ratchet release lever and open the ratchet lever handle fully to the locked position.





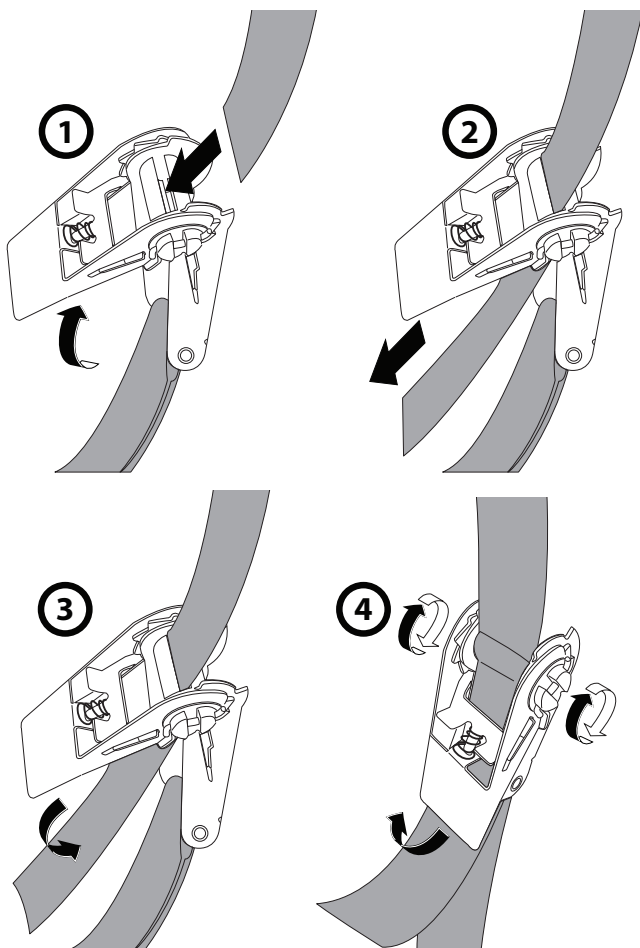
## RRG, RRGL Rhino Commercial - Ratchet Grab With Strap

**5** Diagram shows ratchet grab being used in conjunction with "REB" - Rhino Commercial Eye Bolt.



**CAUTION:** Must not be used for lifting. Always inspect prior to use. Protect from friction and abrasion. Do not tie knots in webbing. Do not use if strap is damaged. **225kg** Lashing Capacity.

How to use the ratchet grab with the strap



How to undo the ratchet grab with the strap

