



RHINO-RACK

Aerodynamic & Heavy Duty Roof Rack Systems

RSLP & RLLP Rhino Commercial - [Ladder Peg Small & Large](#)

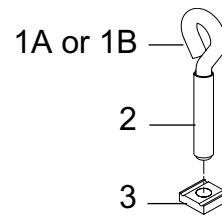
Place these instructions in the vehicle's glove box after installation is complete.

Important: Please read these instructions carefully prior to installation. Please refer to your fitting instruction to ensure that the roof racks are installed in the correct locations.

Important: Check the contents of kit before commencing fitment and report any discrepancies.

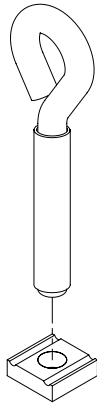
Parts List

Item	Component Name	Qty.	Part No.
1A	Ladder Peg - Small	2	C014
1B	Ladder Peg - Large	2	C015
2	Rubber Tube Ladder Peg	2	R030
3	M16 Square Channel Nut	2	N005
4	Fitting Instruction	1	RR14



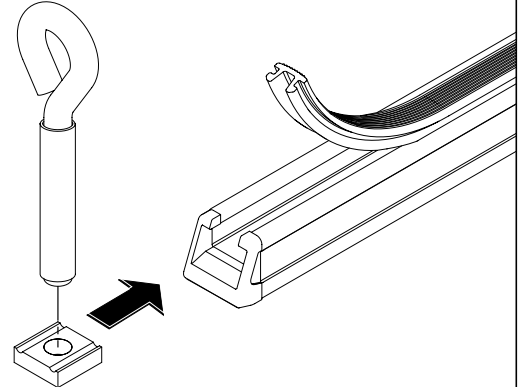
Screw the ladder peg into the channel nut, the channel nut grooves facing the rounded end of the ladder peg.

1



Remove rubber buffer strip from crossbar. Slide the channel nut into the top recess of the Rhino crossbar with channel nut grooves inline with the crossbar.

2



Position the ladder peg, tighten the ladder peg to secure. Check that the channel nut grooves are located in the crossbar section. Trim rubber buffer strip to suit.

3

