



# RHINO-RACK

Aerodynamic & Heavy Duty Roof Rack Systems

## RLH Rhino Commercial - Load Holders (Pr)

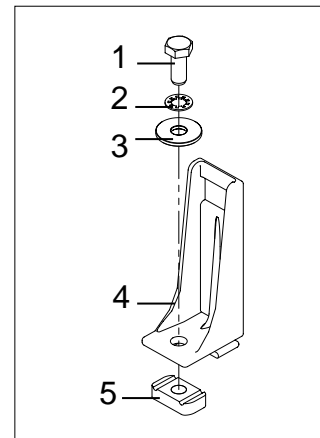
Place these instructions in the vehicle's glove box after installation is complete.

**Important:** Please read these instructions carefully prior to installation.  
Please refer to your fitting instruction to ensure that the roof racks are installed in the correct locations.

Important: Check the contents of kit before commencing fitment and report any discrepancies.

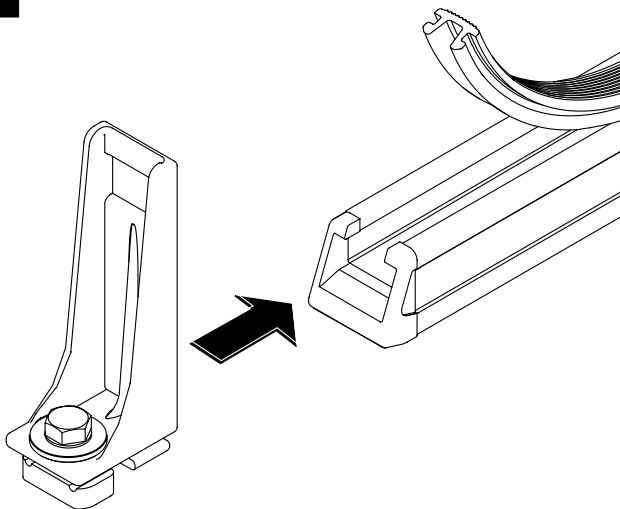
### Parts List

Item	Component Name	Qty.	Part No.
1	M10 x 25mm Hex Bolt	2	B071
2	M10 Shake Proof Washer	2	W021
3	M10 x 30mm Flat Washer	2	W023
4	Load Holder	2	M005
5	M10 Channel Nut	2	N024
6	Fitting Instruction	1	RR11



Remove the rubber buffer strip from the crossbar. Loosen the channel nut and slide the load holder T shaped section into the top recess of the Rhino crossbar.

**1**



Position the load holder, turn the attachment bolt so that the channel nut rotates and locates across the crossbar, tighten. Trim rubber buffer strip to suit.

**2**

