

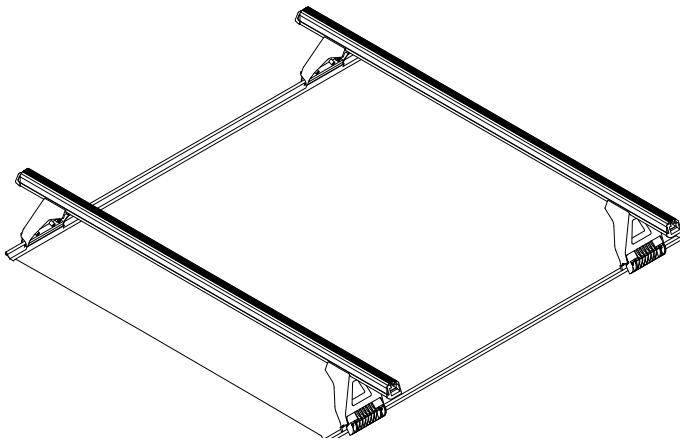


RHINO-RACK

Aerodynamic & Heavy Duty Roof Rack Systems

Rhino Heavy Duty - Gutter Mount

Important: Please read these instructions carefully prior to installation.
Please refer to your fitting instruction to ensure that the roof racks are installed in the correct locations.
Check the contents of kit before commencing fitment and report any discrepancies.



Wash vehicle roof prior to installation.

Important Information

Maximum carrying capacity: Please refer to your vehicle manufacturers handbook for maximum roof loading. Load must be evenly distributed over the crossbars.

Recommendations:

It is essential that all bolt connections be checked after driving a short distance when you first install your crossbars. Bolt connections and screw threads must be checked and lubricated at regular intervals (depending on road conditions, usage, loads and distances travelled). You should also check the crossbars each time they are refitted. Make sure to fasten your load securely. Please ensure that all loads are evenly distributed and that the centre of gravity is kept as low as possible.

Rhino-Rack cannot be held responsible for incorrect mounting of the roof rack system or for usage that exceeds vehicle and production tolerances.

Use only non-stretch fastening ropes or straps.

Caution: The handling characteristics of the vehicle changes when you transport a load on the roof. For safety reasons we recommend you exercise extreme care when transporting wind-resistant loads. Special consideration must be taken into account when cornering and braking.

Please remove crossbars when putting vehicle through an automatic car wash.

Load Ratings:

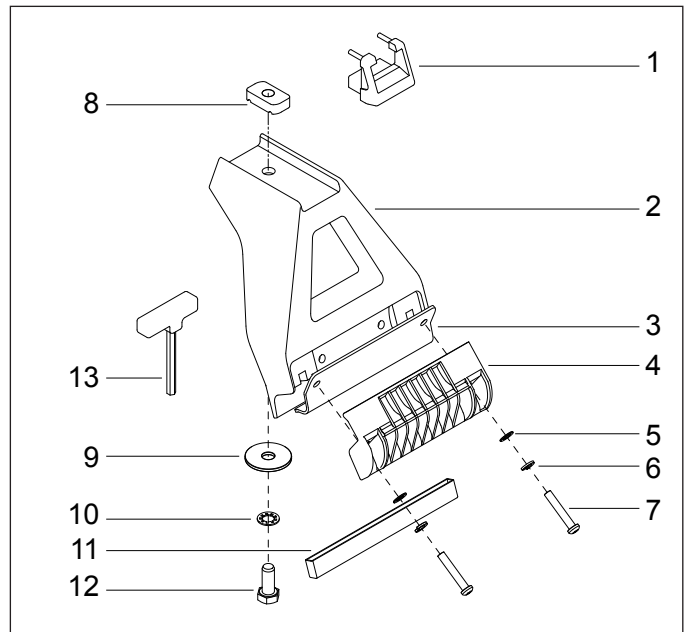
The vehicle manufactures recommended load rating is the maximum permissible load per pair of crossbars including the weight of the cross bars, 5kg (11lbs). When crossbars are to be used in off-road conditions, please build a safety factor of 1.5 into this load limit for off-road use. Although the crossbars are tested and approved to AS1235-2000, Off road conditions can be much more rigorous. However, increasing the number of crossbars does not increase the vehicles maximum permissible roof loading.



Rhino Heavy Duty - Gutter Mount

Parts List

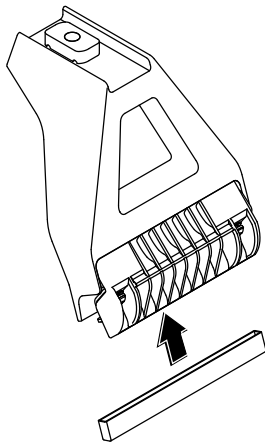
Item	Component Name	Qty	Part No.
1	End cap sold separately		M002
2	Leg	2	-
3	Gutter mount strap	2	-
4	Gutter clamp	2	M003
5	M6 x 12.5mm flat washer	4	W003
6	M6 spring washer	4	W004
7	M6 x 35mm security screw	4	B092
8	M10 channel nut	2	N024
9	M10 x 30mm washer	2	W023
10	M10 shake-proof washer	2	W021
11	Gutter mount rubber foot	2	M053
12	M10 x 25mm bolt	2	B071
13	5mm security allen key	1	SECKEY-S
14	Fitting instruction	1	RR-03



Tools Required;

16mm or 5/8" spanner, rubber mallet, security Allen key provided in kit, tape measure.

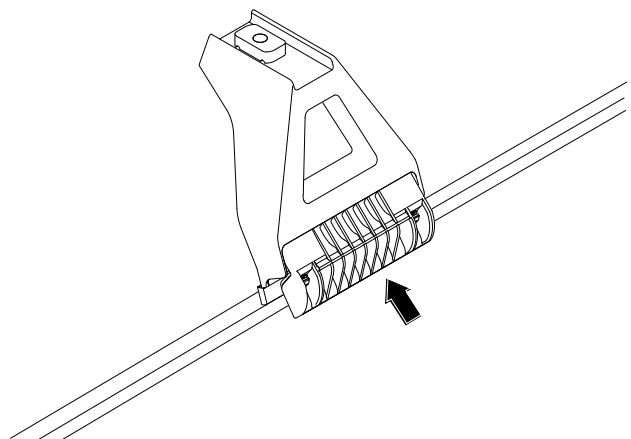
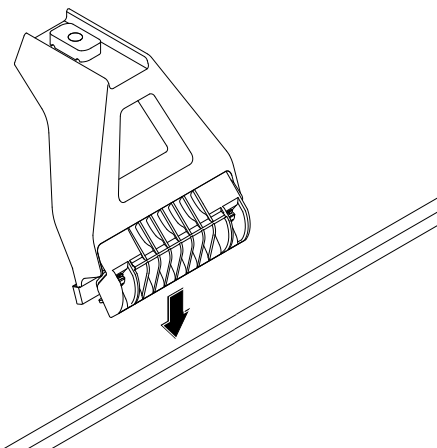
1



Loosen leg clamp screws. Install the rubber boot.

2

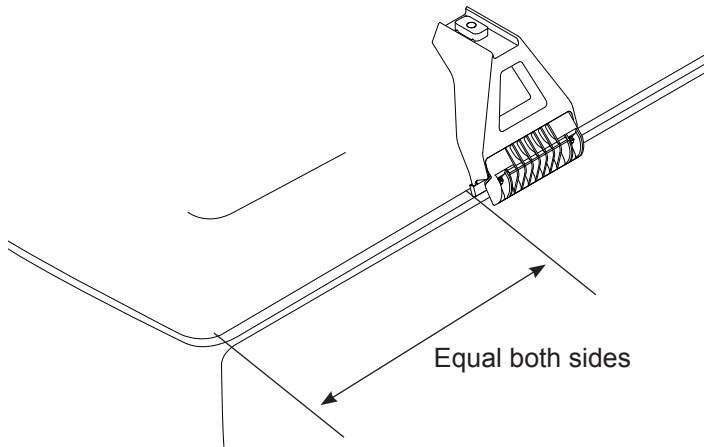
Fit legs to vehicle gutter. Adjust each leg so the foot sits into the corner of the gutter.





Rhino Heavy Duty - Gutter Mount

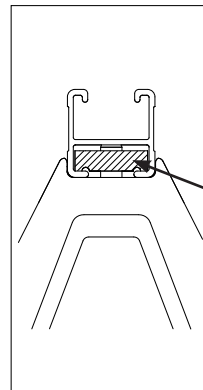
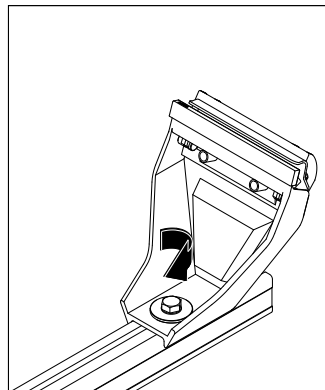
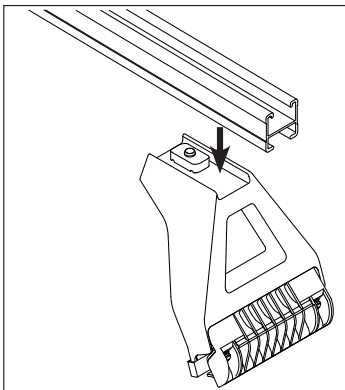
3



Position the legs parallel across the vehicle. Measure from same point each side of the vehicle. Rotate the clamp underneath roof gutter lip. The clamp must be fully located into the corner of the gutter lip. Finger tighten clamp screws.

4

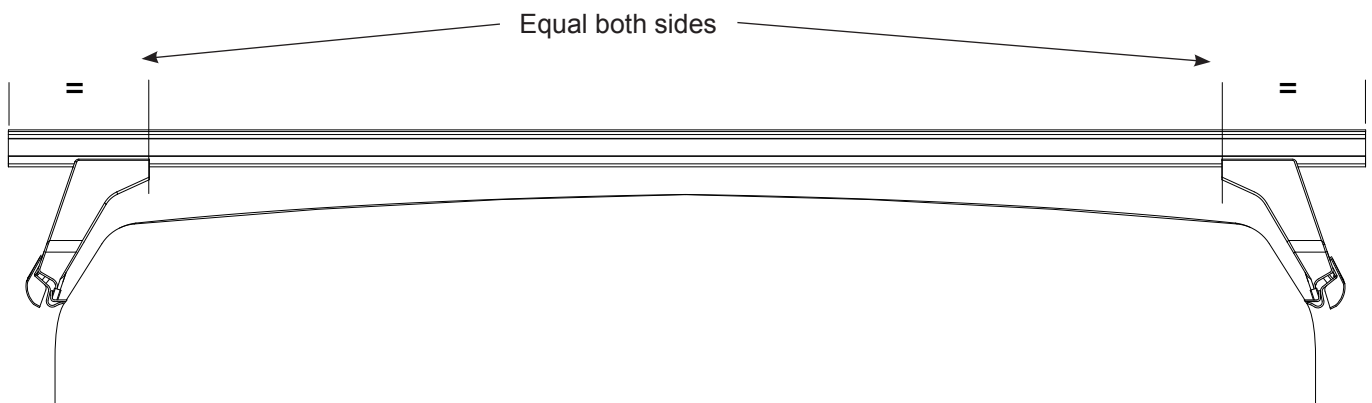
Place crossbars onto legs. Push the leg attachment bolt up and turn so the channel nut is fully located across the inside of the bar. Finger tighten M10 bolt at this stage.



Channel nut must be properly located across the bar when tight.

5

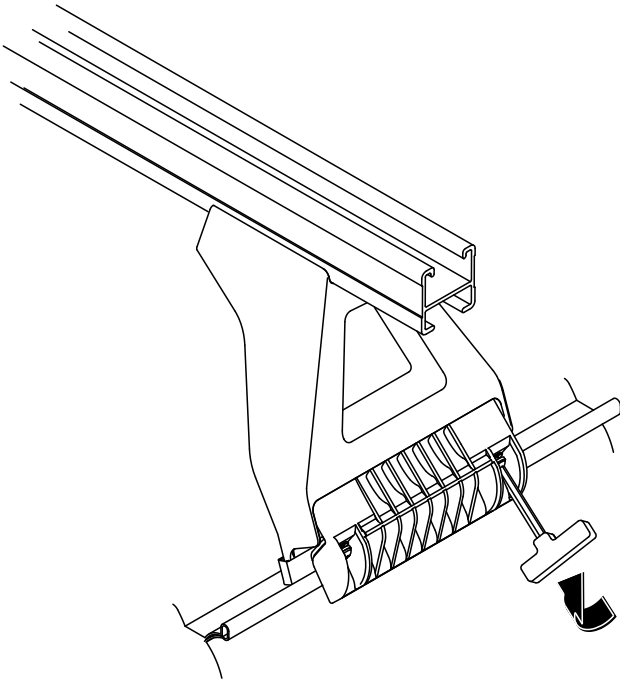
Measure for equal crossbar overhang. Hold the leg against outer edge of the gutter. Use a 5/8" or 16mm spanner and tighten M10 bolt & channel nut to 13-15 Nm. Do not over tighten.





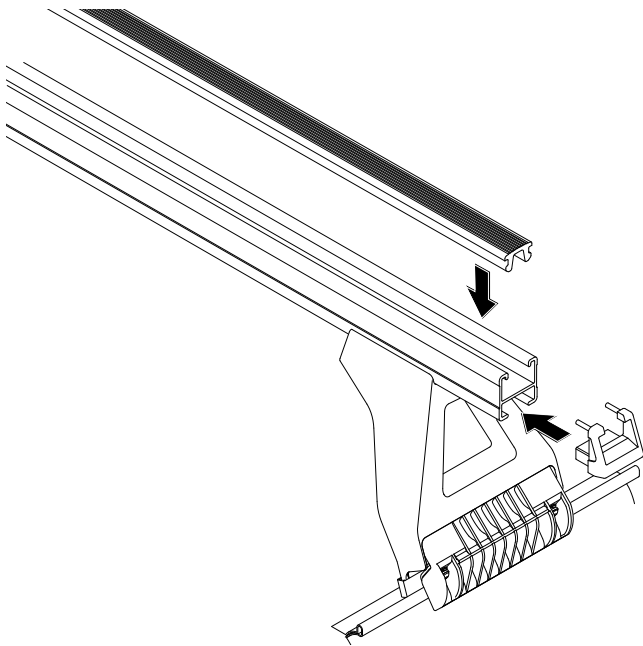
Rhino Heavy Duty - Gutter Mount

6



Progressively tighten lower clamp screws to secure the roof rack to the gutter. Repeat the tightening process on each side of the vehicle. Tighten M6 screws to 3-4 Nm. Do not over tighten.

7



Insert end caps and buffer strips into crossbar. A rubber mallet may be used to knock the end caps in. Re-check all attachment bolts and screws after fitment.