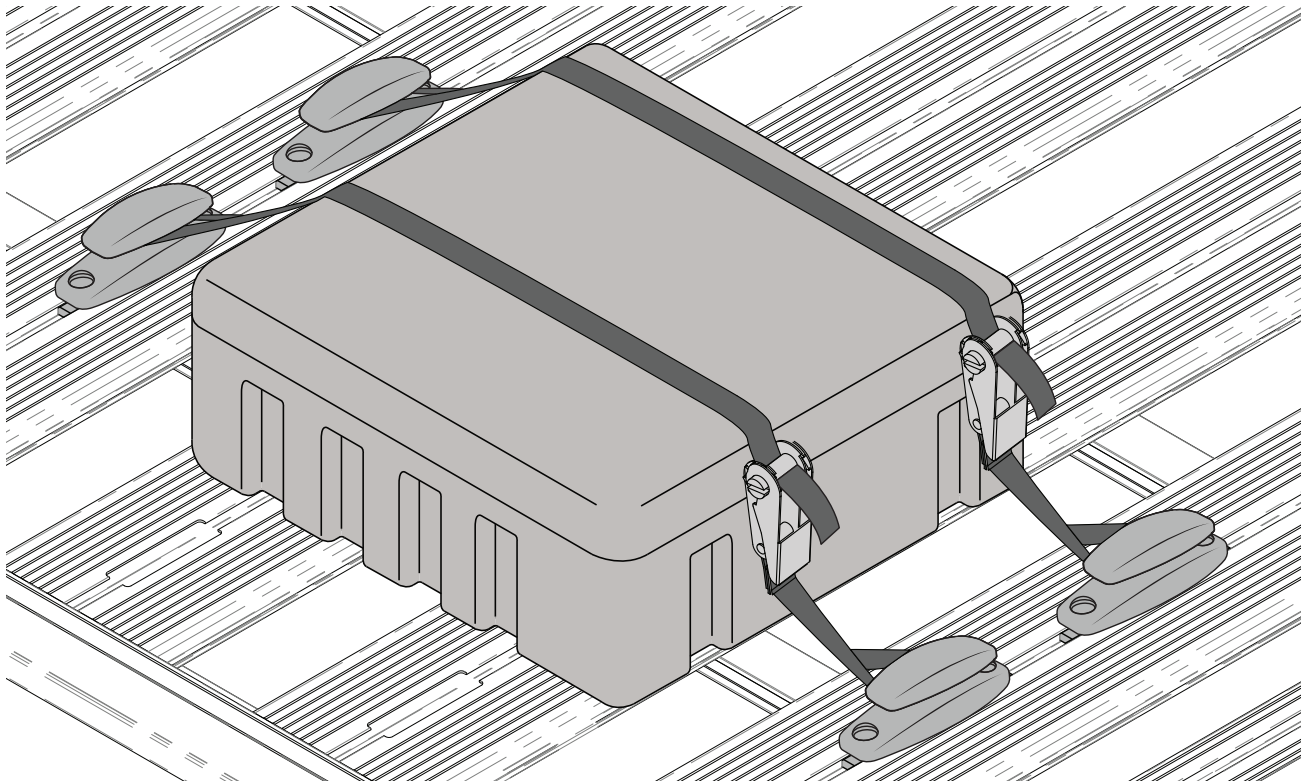




# RHINO-RACK

## Pioneer Pickup Kit 43175

**Important:** Please read these instructions carefully prior to installation.  
Please refer to your fitting instruction to ensure that the alloy tray is installed correctly.  
Check the contents of this kit before commencing fitment and report any discrepancies.



### Important Information

**Maximum Capacity: 75kg/ 165Lbs per set.**

**Recommendations:**

Use only non stretch fastening ropes or straps. Do not overload your Rhino-Rack Pioneer Platform/ Tray or Tradie Tray and roof bars. Check your vehicle's roof carrying capacity. Exercise caution when driving off road as vehicle roof height has been increased. Be aware of increased sensitivity to cross winds.

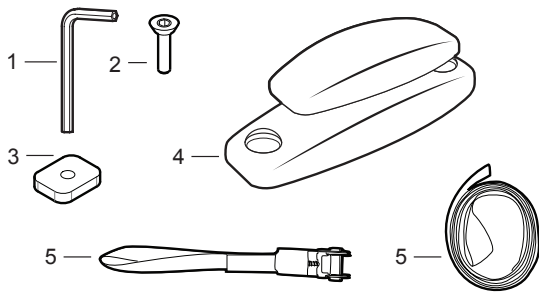
- Regularly check strap condition for any signs of abrasion. Immediately replace. Do not use a strap that is damaged.
- Do not overload roof capacity. Always evenly distribute load.
- Remove load/ roof racks when putting vehicle through an automatic car wash.

**Caution:**

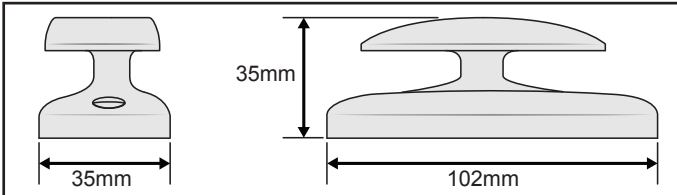
The handling characteristics of the vehicle change when you transport a load on the roof. For safety reasons, we recommend exercising extreme care when transporting large wind-resisting loads; special consideration must be taken into account when negotiating corners and under braking.



# Pioneer Pickup Kit 43175



Item	Component	Qty	Part No.
1	Security Allen Key 4mm	1	H048
2	M6x10mm Counter Sunk Screw	8	-
3	M6 20x20 Square Nut	8	N025
4	Pioneer Pickup Moulding	4	SP202
5	Ratchet Strap 1850mm	2	CA1448
6	Fitting Instructions	1	R728



**1** Assemble the Pickup kit as shown. Do not tighten hardware at this stage.

- M6x10 Counter Sunk Screw
- Pickup Moulding
- M6 20x20 Square Nut

**2** Slide the Pickup Moulding into the Pioneer access slot as shown. If this proves difficult, slightly loosen the hardware.

The longer underside of the Pickup Moulding faces the outside Platform.

Pick-Up Point

Pioneer Platform

Repeat steps 1-2 for opposing side.

**3** Secure your load between two or more Pickup Mouldings on the Pioneer Platform. Wrap the looped ends of the Ratchet Strap sections over each Moulding as shown.

**4** Pull the strap through the Ratchet as shown. Tighten over the load to be carried. Ensure load is secure before driving.

Move lever up and down to tighten.