



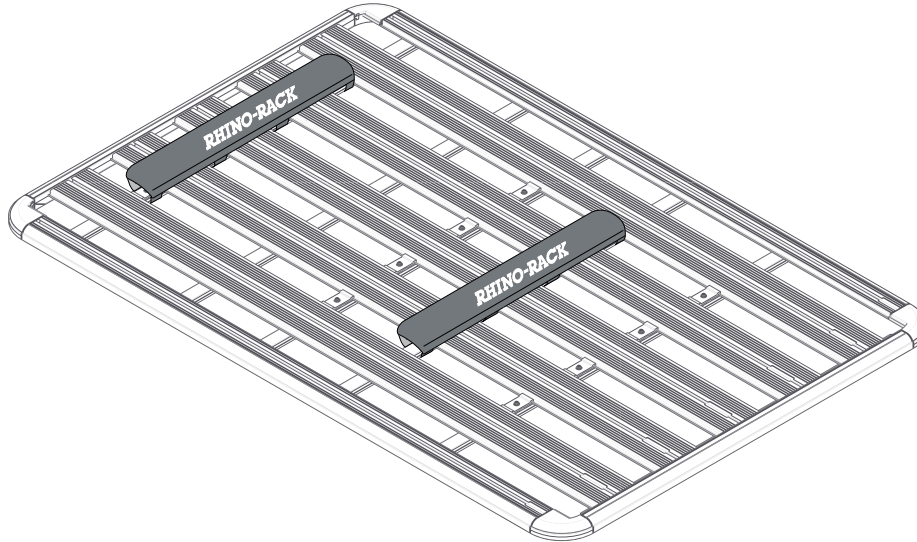
# RHINO-RACK

## Rhino Pioneer Wrap Pad 43150

**Important:**

Please read these instructions carefully prior to installation.  
Please refer to your fitting instruction to ensure that the roof racks are installed in the correct locations.  
Check the contents of kit before commencing fitment and report any discrepancies.  
Place these instructions in the vehicle's glove box after installation is complete.

**Layout:**



**IMPORTANT Care Instruction:**

**Thoroughly clean roof tray prior to fitting accessory. PLEASE READ THROUGH INSTRUCTIONS BEFORE FITTING.**

### Important Information

Please refer to your vehicle manufacturers handbook for maximum roof load capacity, always use the lower of the two figures.

**Recommendations:**

It is essential that all bolt connections be checked after driving a short distance when you first install your crossbars. Bolt connections should be checked and lubricated at regular intervals (probably once a week is enough, depending on road conditions, usage, loads and distances travelled). You should also check the crossbars each time they are refitted. Make sure to fasten your load securely. Please ensure that all loads are evenly distributed and that the centre of gravity is kept as low as possible.

**Crossbars must be removed when putting vehicle through an automatic car wash.**

**Use only non-stretch fastening ropes or straps.**

**Caution:** The handling characteristics of the vehicle changes when you transport a load on the roof. For safety reasons we recommend you exercise extreme care when transporting wind-resistant loads. Special consideration must be taken into account when cornering and braking.

**Off-road Load Rating:**

When crossbars are to be used in off-road conditions, please build a safety factor of 1.5 into this load limit for off-road use. Although the crossbars are tested and approved to AS1235-2000, off-road conditions can be much more rigorous. However, increasing the number of crossbars does not increase the vehicles maximum permissible roof loading.

**Note for Dealers and Fitters:**

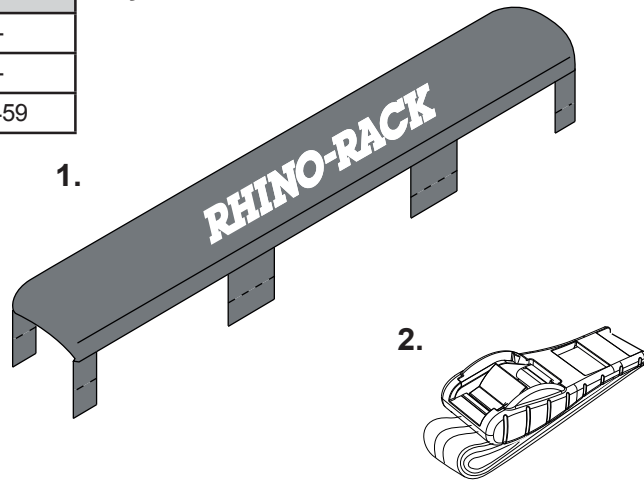
It is your responsibility to ensure instructions are given to the end user or client.



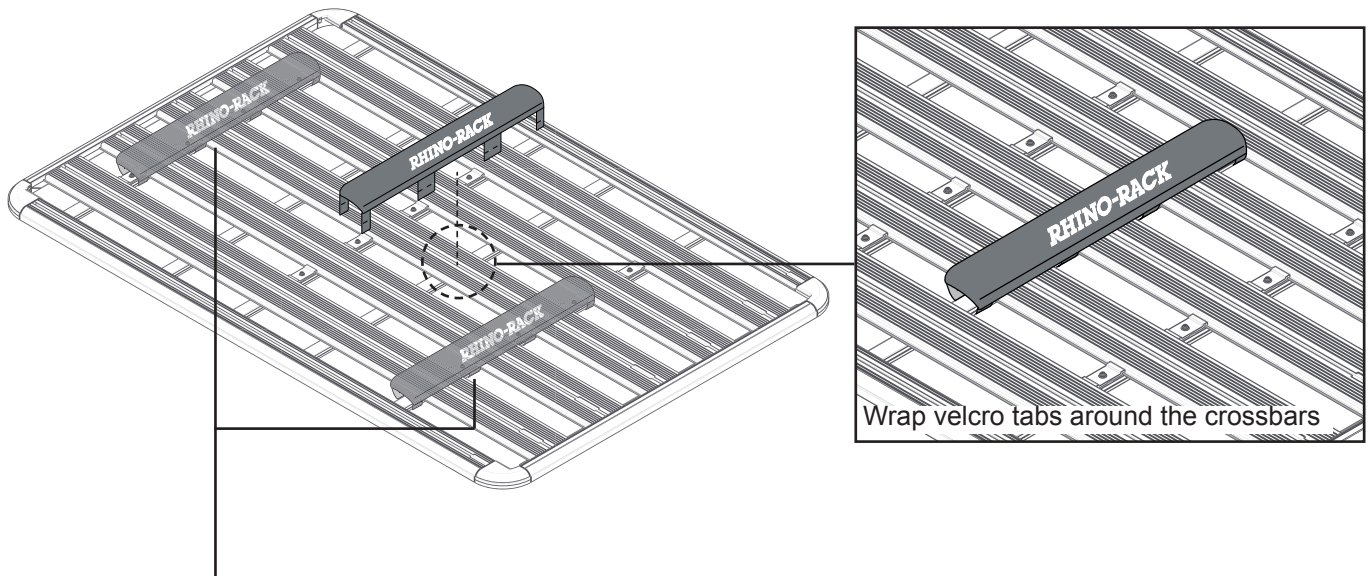
# Rhino Pioneer Wrap Pad 43150

Item	Component Name	Qty	
1	Wrap Pad (700mm)	2	-
2	Cam Buckle and Strap 3.5m	2	-
3	Instructions	1	R459

Layout:



**1** Using the velcro tabs, fix the Pioneer Wrap pad into the desired location.



Note: Pioneer Wrap Pads Can be fixed in any position (across three tray planks) on the tray.

## CAUTION: STRAPS

**Must NOT be used for lifting**  
**Always inspect prior to use**  
**Protect from friction and abrasion**  
**Do NOT use strap if it is damaged**

