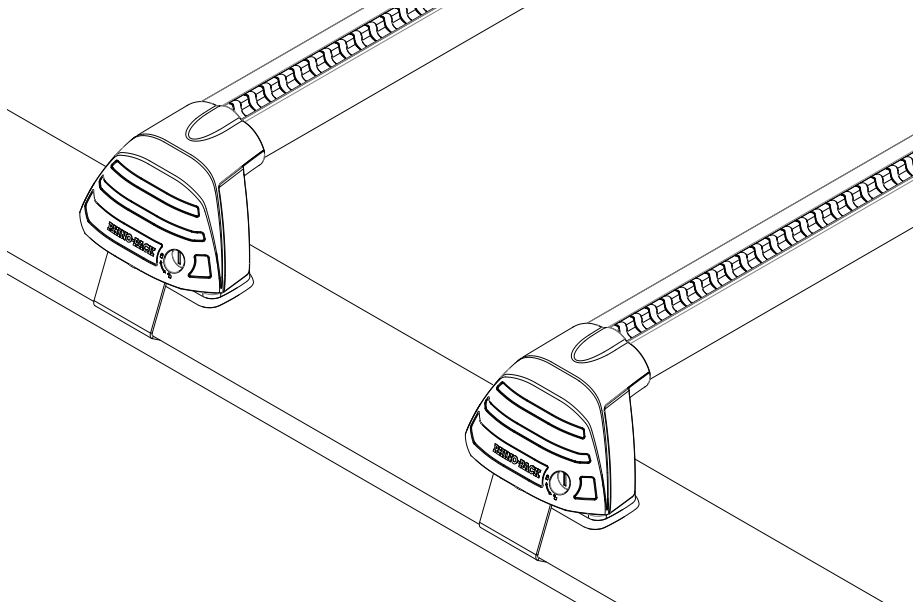


RHINO-RACK

Rhino-Rack ROC25 Crossbar Kit - RLKVF , RLKVFH, RLKVF2, RLKVF2H

- Important:**
- 1. Please refer to your fitting instruction to ensure that the roof racks are installed in the correct locations.
 - 2. Check the contents of kit before commencing fitment and report any discrepancies.
 - 3. Place these instructions in the vehicle's glove box after installation is complete.
 - 4. This kit also requires the DK fitting instructions
 - 5. These instructions must be followed for warranty to be upheld.



Important Information

Maximum carrying capacity: Please refer to your vehicle manufacturers handbook and DK Specification sheet for maximum roof loading. Always use the lower of the two figures. Be sure to check Rhino-Rack website to ascertain if you have the latest version of instructions.

On Road Cargo Allowance	Off Road Cargo Allowance	Roof Allowance	Rack Weight
70kg / 154lb	35kg / 77lbs	75kg / 165lbs	5kg / 11lbs

Advisory:

It is essential that all bolt connections be checked after 48hrs from when you first install your crossbars. Bolt connections should be checked again at regular intervals (once a week, depending on road conditions, usage, loads and distances travelled). You should also check the crossbars each time they are refitted. Make sure to fasten your load securely (see page 2 for advisory diagrams). Please ensure that all loads are evenly distributed and that the centre of gravity is kept as low as possible.

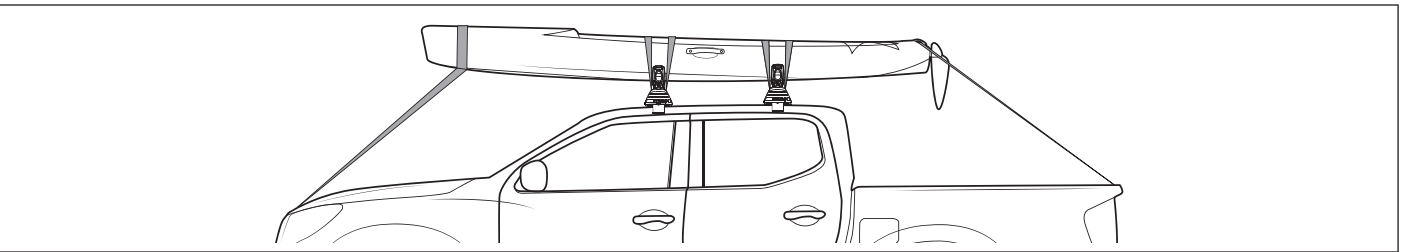
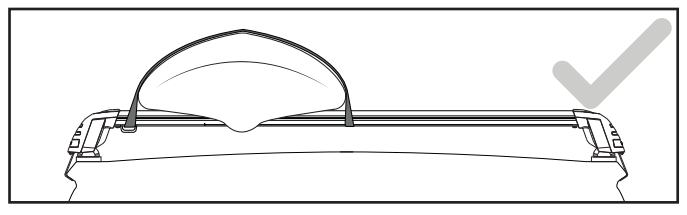
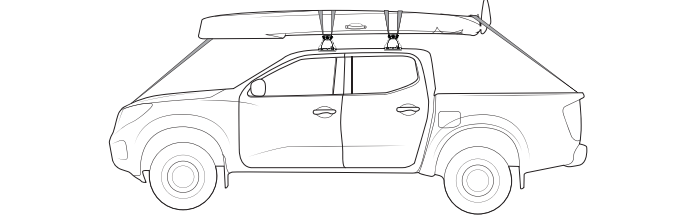
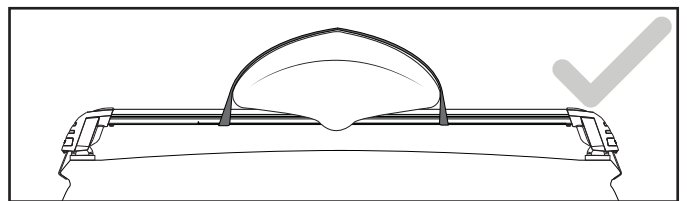
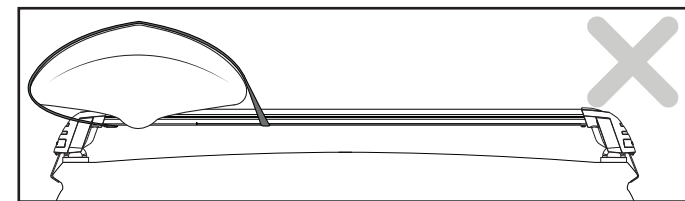
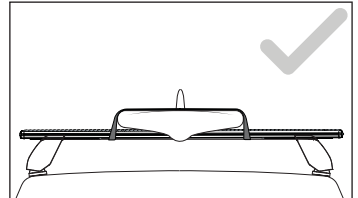
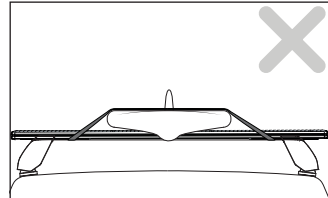
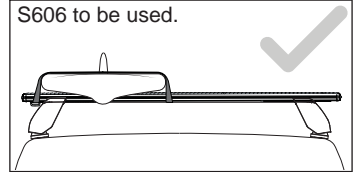
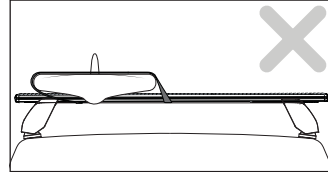
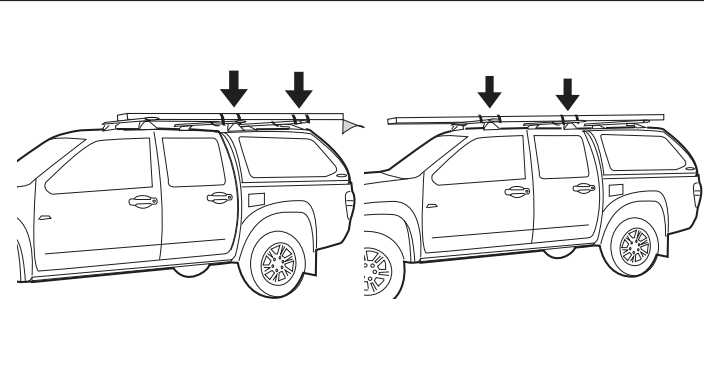
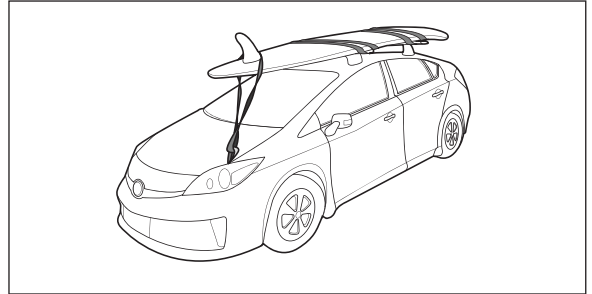
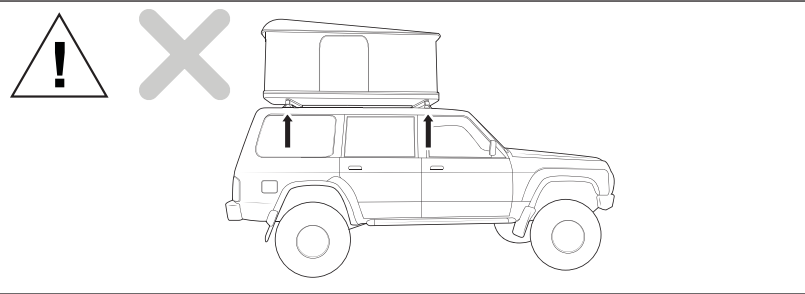
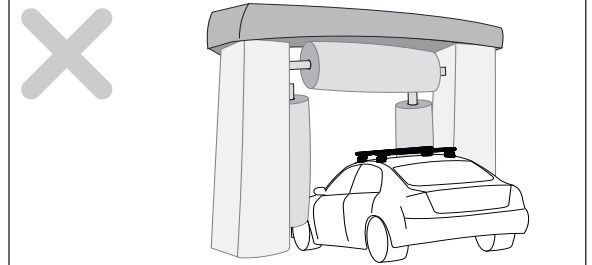
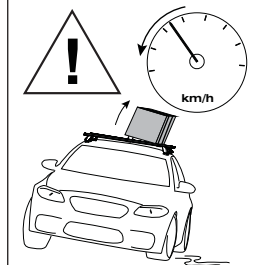
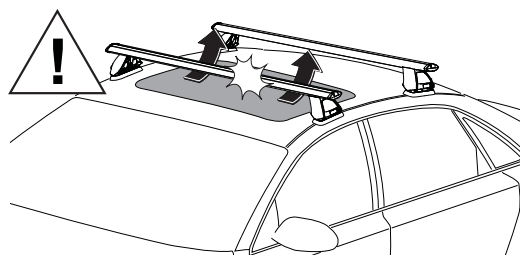
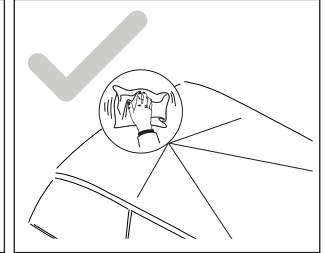
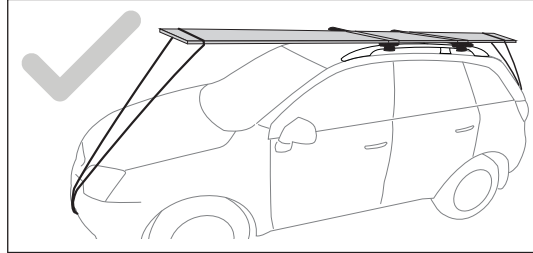
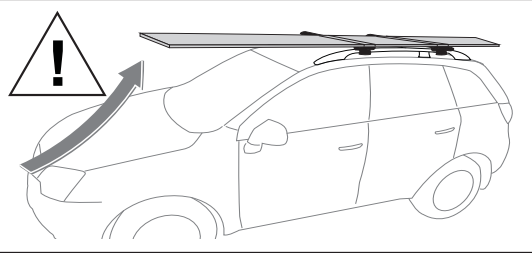
Use only non-stretch fastening ropes or straps.

Caution:

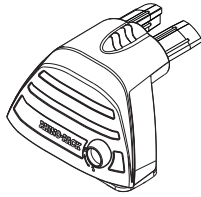
The handling characteristics of the vehicle changes when you transport a load on the roof. For safety reasons we recommend you exercise extreme care when transporting wind-resistant loads. Special consideration must be taken into account when cornering and braking. **Please remove crossbars when putting vehicle through an automatic car wash.**

Note for Dealers and Fitters: It is your responsibility to ensure instructions are given to the end user or client.

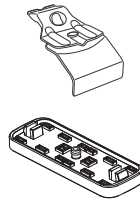
Rhino-Rack ROC25 Crossbar Kit - RLKVF , RLKVFH, RLKVF2, RLKVF2H



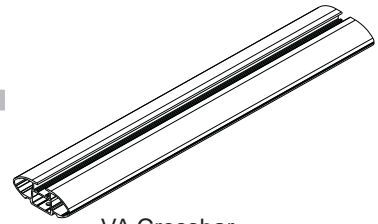
Rhino-Rack ROC25 Crossbar Kit - RLKVF , RLKVFH, RLKVF2, RLKVF2H



Leg kit



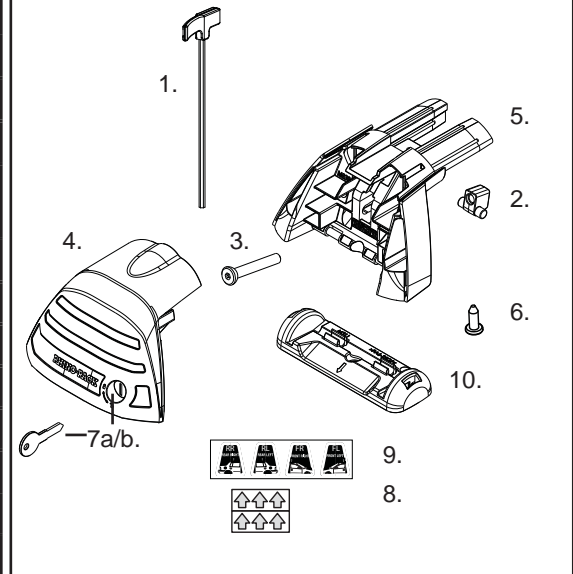
DK Pad & clamp kit



VA Crossbar

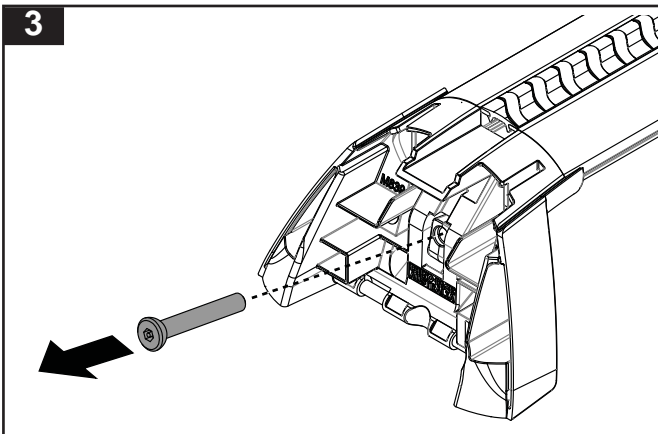
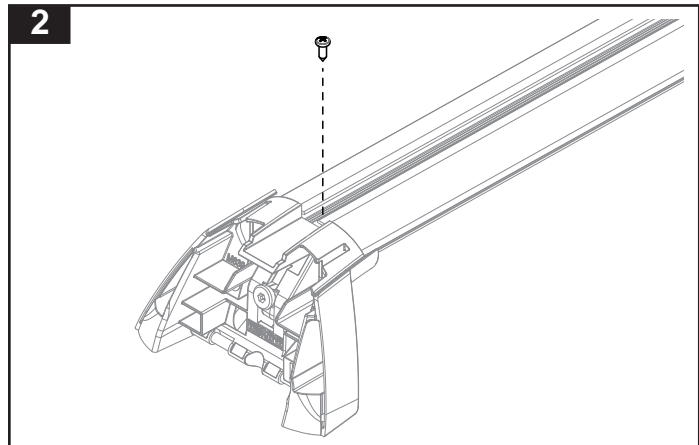
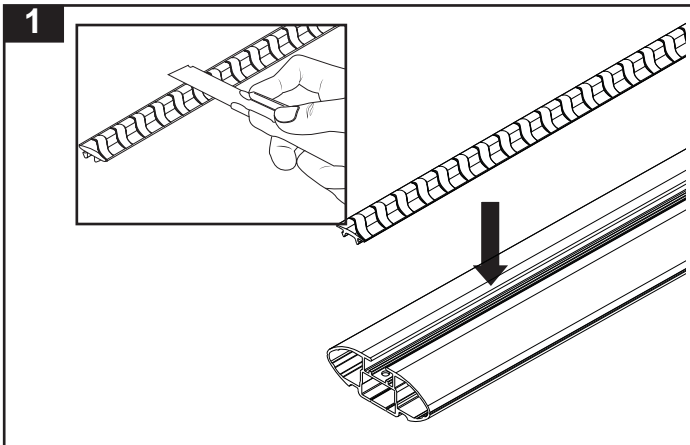
Parts List

Item	Component Name	Qty	Part No.
1	Torque Allen Key	1	TORKEY-L
2	M8 Pivot Nut	4	N047
3	M8 x 47mm Security Bolt	4	B177
4	Cover Plate	4	M841 RLKVF or M840 RLKVF2
5	ROC25 Leg	4	M839
6	Pan Head Phillips Screw	4	B172
7a	Key and Barrel	2	CA1339-BK
7b	Barrel	2	CA1339-B
8	Arrow Label	6	S364
9	Leg Location Label	4	S365
10	Base	4	M311
11	Fitting Instruction	1	R1682

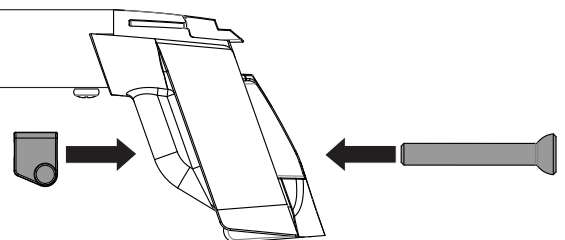


Note: Crossbars require purchase of leg kit, pad/ DK clamp kit and VA crossbars. It is however possible to purchase complete crossbar, in this case skip to step 4. *Half kits qty may vary.

Instructions



Note: Legs will come with hardware assembled, however if the Pivot Nut is not attached to the leg, install as shown with the angled face of the nut facing outwards (as below).



Rhino-Rack ROC25 Crossbar Kit - RLKVF , RLKVFH, RLKVF2, RLKVF2H

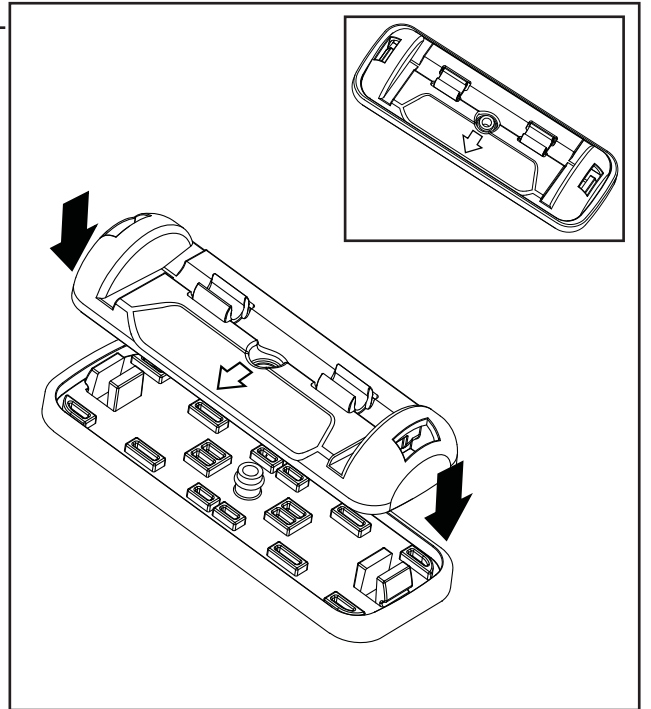
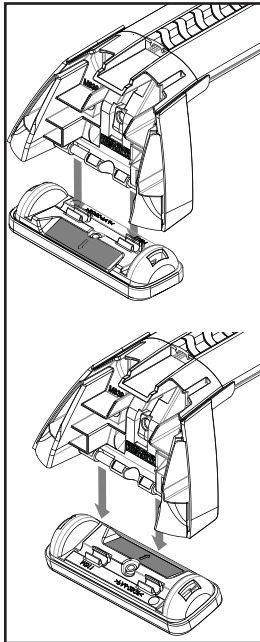
4 Fit the foot plate and rubber pads to the crossbar assemblies. Refer to the DK sheet corresponding to your vehicle for correct orientations. **Note DK440 shown as example only.**

DK001 Rhino-Rack VA, Aero, Euro & HD crossbar instruction

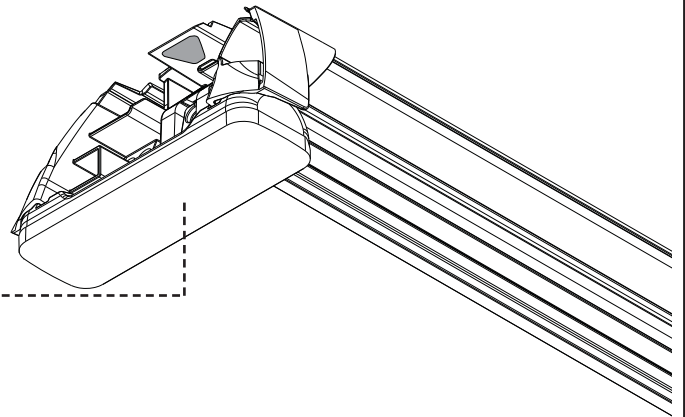
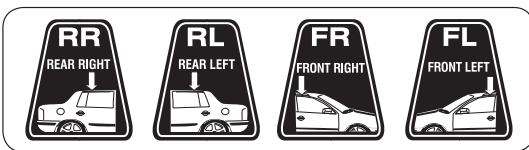
IDENTIFICATION CHART

Vehicle	Year	FRONT CROSSBAR		AERO CROSSBAR		EURO CROSSBAR		HD CROSSBAR	
		Part No.	Part Name	Part No.	Part Name	Part No.	Part Name	Part No.	Part Name
Subaru Impreza	2004-2006	M365	114490	M365	114490	M365	114490	M365	114490
Subaru Impreza	2007-2008	M365	114490	M365	114490	M365	114490	M365	114490
Subaru Impreza	2009-2011	M365	114490	M365	114490	M365	114490	M365	114490
Subaru Impreza	2012-2014	M365	114490	M365	114490	M365	114490	M365	114490
Subaru Impreza	2015-2017	M365	114490	M365	114490	M365	114490	M365	114490
Subaru Impreza	2018-2019	M365	114490	M365	114490	M365	114490	M365	114490
Subaru Impreza	2020-2021	M365	114490	M365	114490	M365	114490	M365	114490
Subaru Impreza	2022-2023	M365	114490	M365	114490	M365	114490	M365	114490
Subaru Impreza	2024-2025	M365	114490	M365	114490	M365	114490	M365	114490

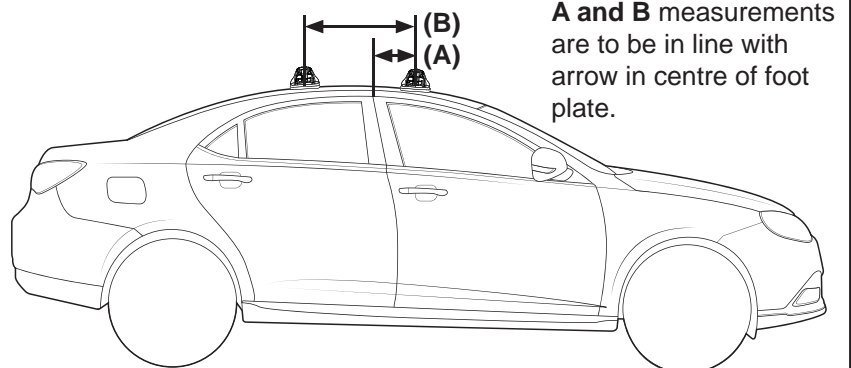
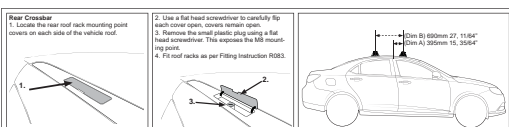
Foot plate orientation	Rear Right Pad/ Clamp	Rear Left Pad/ Clamp	Measurement per
Left	M365 114490	M365 114490	18"
	Arrow FORWARD		
	M365	M365	



5 Stick the leg position labels inside the leg. The labels identify the position of the leg on the vehicle roof. Use as a guide when re-fitting the crossbars after removal. Refer layout below.



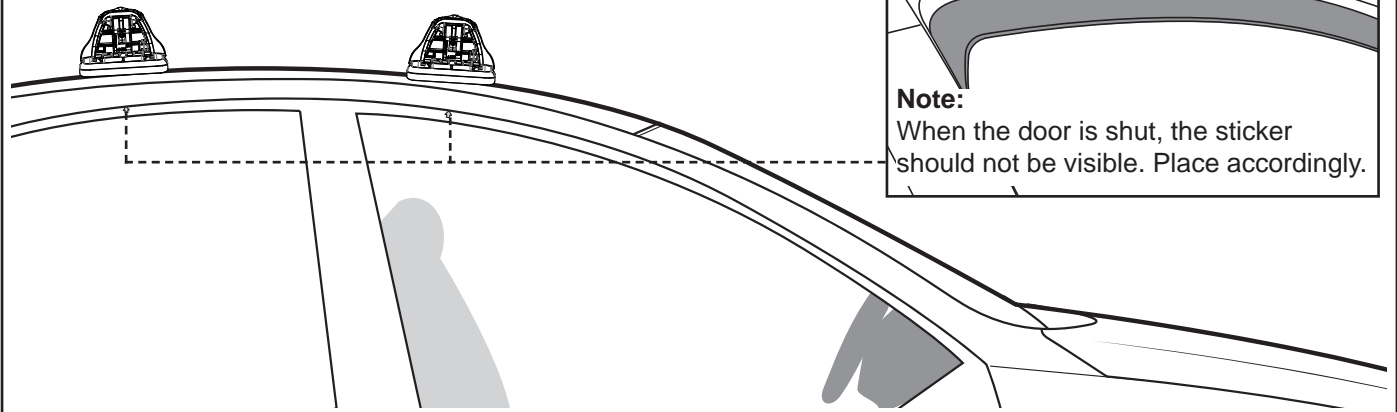
6 Place racks onto the vehicle roof. Refer to DK sheet for correct positioning of your roof racks.
A. Measure forward from where the front and rear doors meet/close.
B. Measure back to set distance between crossbars, centre of front foot plate arrow to centre of rear foot plate arrow. **Note DK sheet shown as example only.**



A and B measurements are to be in line with arrow in centre of foot plate.

Rhino-Rack ROC25 Crossbar Kit - RLKVF , RLKVFH, RLKVF2, RLKVF2H

7 Install sticker decals. These mark reference points for future use when racks are removed and then replaced.



Note:
When the door is shut, the sticker should not be visible. Place accordingly.

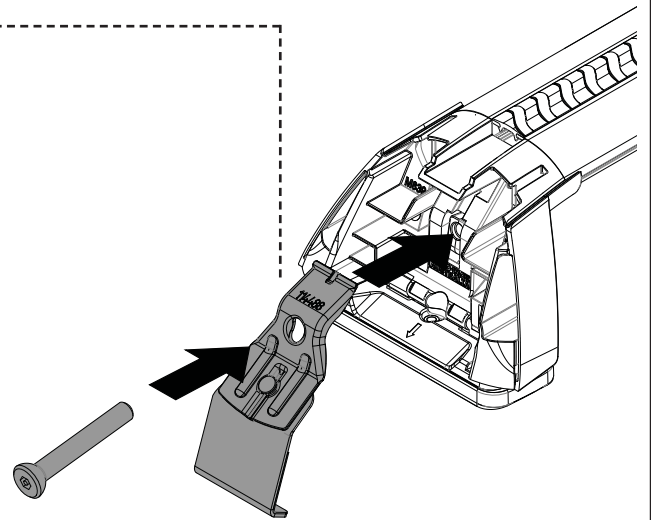
8 The bolt only needs to enter the pivot nut far enough to get a few threads started. **DO NOT** tighten at this stage. Select the correct clamp for the position on the vehicle. This is found on the DK instruction.

Clamp	Front Right Pad/ Clamp	Front Left Pad/ Clamp	Meas strip per
M367	M367	M367	18
114500	114500	114500	
Arrow FORWARD			
M367	M367		

Front

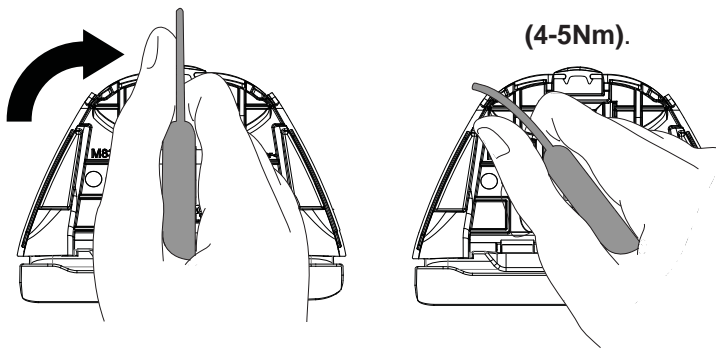
Clamp	Rear Right Pad/ Clamp	Rear Left Pad/ Clamp	Meas strip per
M365	M365	M365	18
114490	114490	114490	
Arrow FORWARD			
M365	M365		

Rear

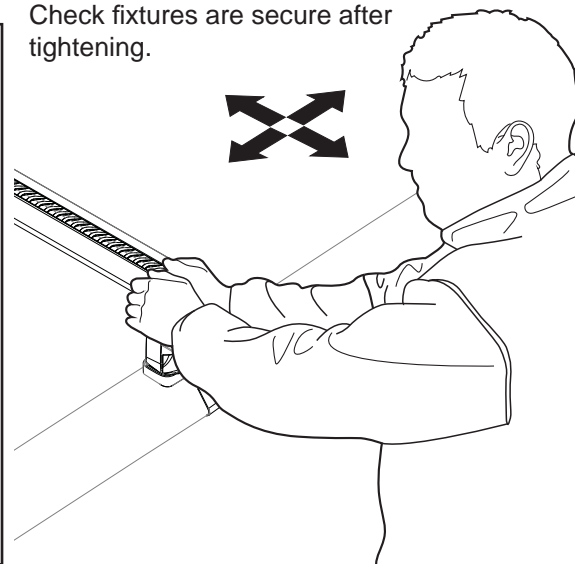


9 Tighten the crossbars evenly (**4-5Nm**). This will ensure the pad sits on the roof as intended. If the clamps are not tightened evenly the pad will sit incorrectly and the crossbars will not be secure.

The Allen Key will give an indication of the correct torque required. The plastic tab on the end of the key will straighten under the approximate tension needed. Additional clockwise turns may be required.

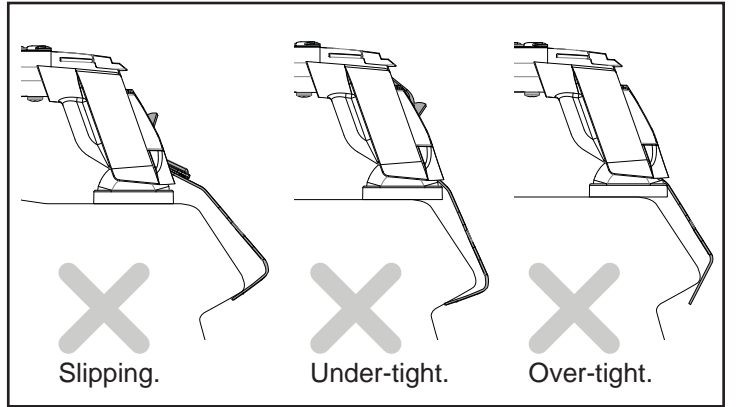
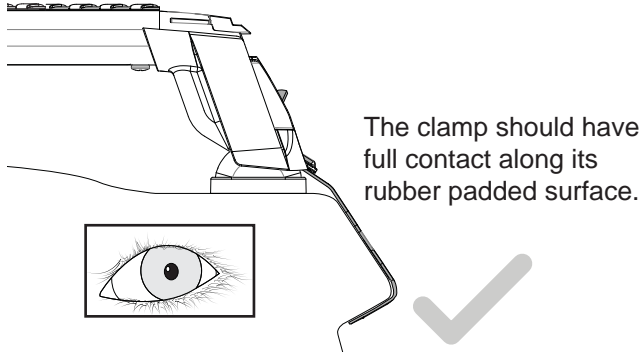


Check fixtures are secure after tightening.

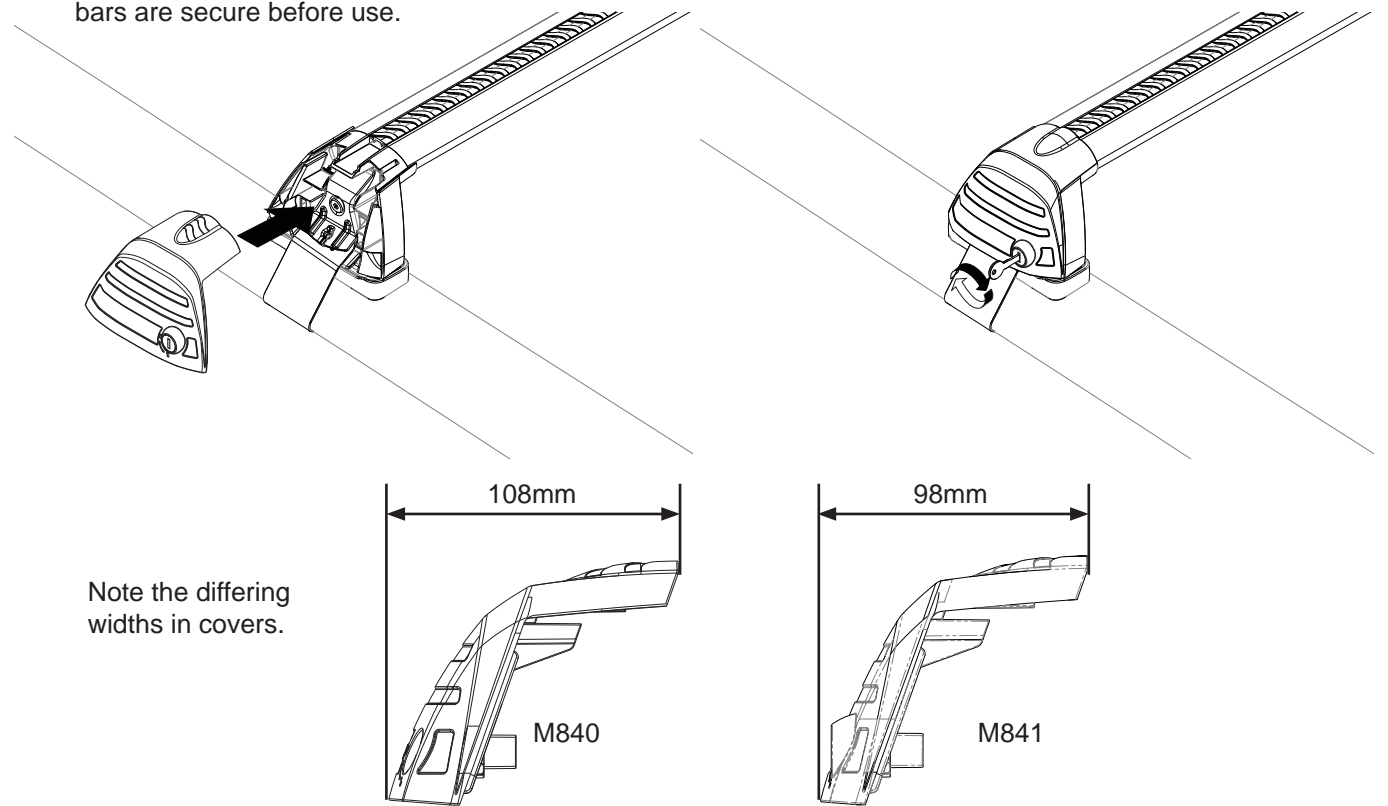


Rhino-Rack ROC25 Crossbar Kit - RLKVF , RLKVFH, RLKVF2, RLKVF2H

10 Visually inspect and ensure that the clamp is correctly seated against the body of the vehicle.



11 Install the cover plates onto the crossbars. Lock with plastic key provided. Reinspect all fixtures and ensure bars are secure before use.





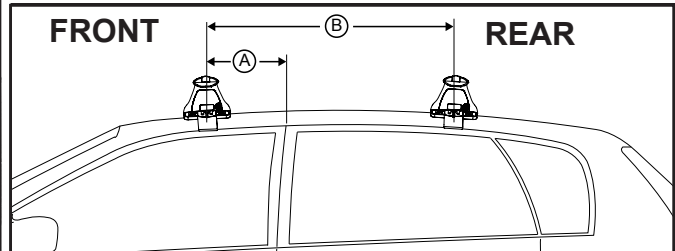
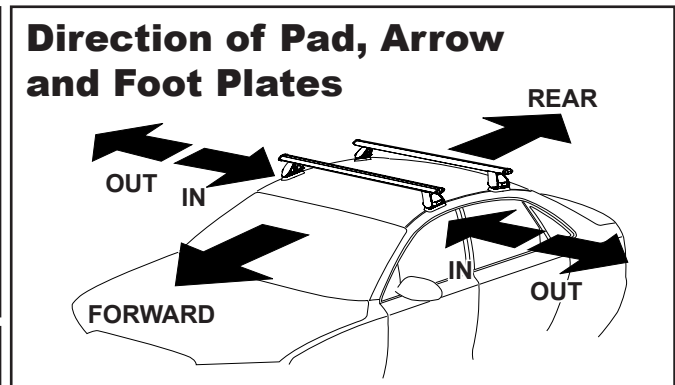
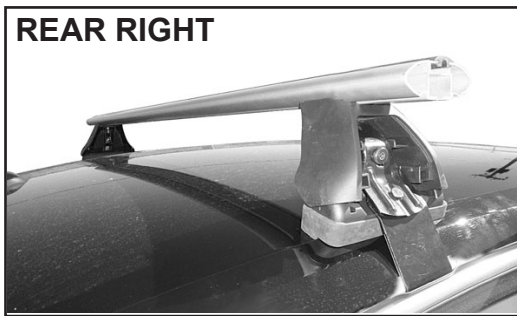
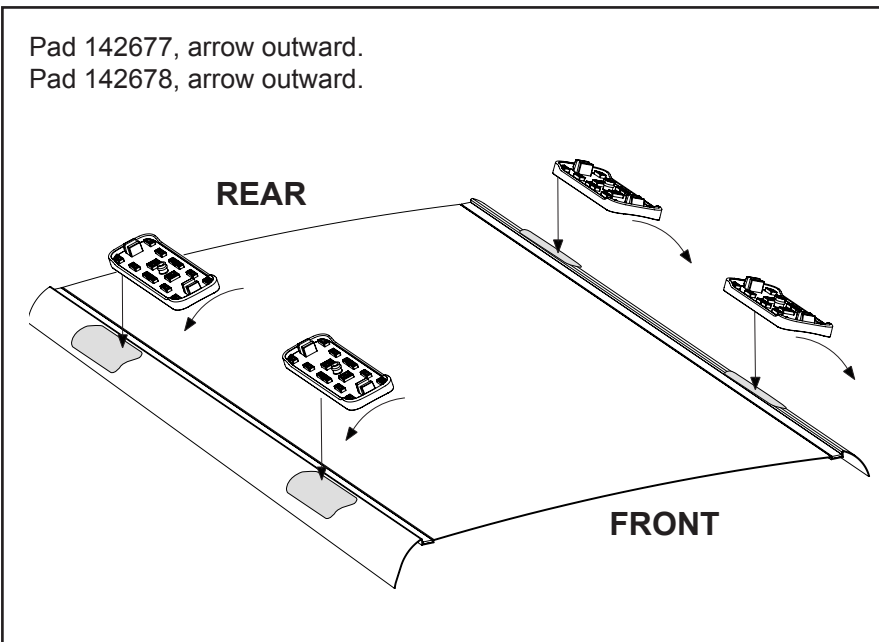
DK323 Rhino-Rack VA, Aero, Euro & HD crossbar instruction

Measurement A: CENTRE of door jamb to CENTRE arrow of leg foot plate.

Measurement B: CENTRE of Front leg foot plate arrow to CENTRE of Rear leg foot plate arrow.

Carrying capacity: Roof rack is rated to 75kg. Please refer to manufacturers handbook for your vehicles maximum roof load capacity. Always use the lower of the two figures.

If your vehicle is not listed on this fitting instruction please refer to your countries Rhino-Rack web site for the latest information.



VEHICLE	Date	Measurement A	Measurement B	Load Rating (includes racks 5kg/ 11lbs)
Volkswagen Passat 4dr sedan	2012-	260mm / 10, 1/4"	750mm / 29, 17/32"	75kg / 165lbs