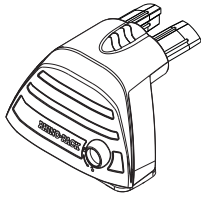
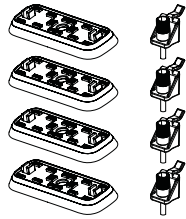


RHINO-RACK

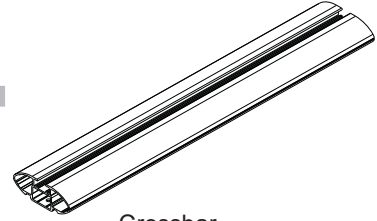
Rhino-Rack ROC25 Crossbar Kit Fixed Mount Point



Leg kit



DK Pad & mount kit

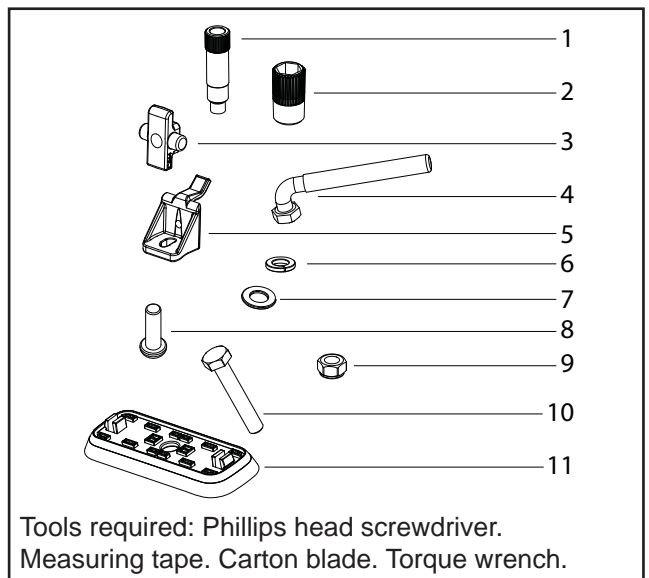


Crossbar

Note: Crossbars require purchase of RLKVF leg kit, pad/ DK point mount kit and VA crossbars. It is however possible to purchase complete crossbar, in this case skip to step 3.

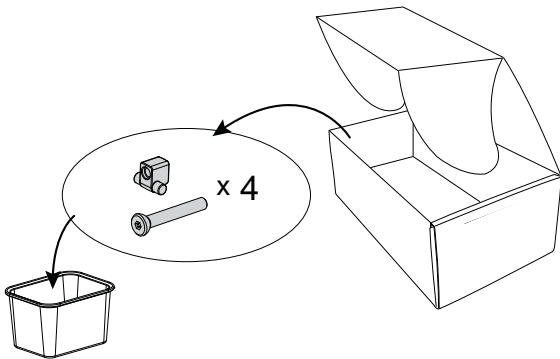
Parts List

Item	Component Name	Qty	Part No.
1	Attachment stud (<i>kit specific</i>)	4	-
2	Fastening knob	4	M554
3	Rear mount bracket	4	C564
4	10mm hex spanner	1	CA1026
5	Front mount bracket	4	C565
6	M6 spring washer	4	W004
7	M6 x 12.5mm flat washer	4	W003
8	M6 x 20mm security screw	4	B062
9	M6 nyloc nut	4	N013
10	M6 hex bolt (<i>kit specific</i>)	4	-
11	FMP pad (<i>kit specific</i>)	4	-
12	Fitting instruction	1	R1477

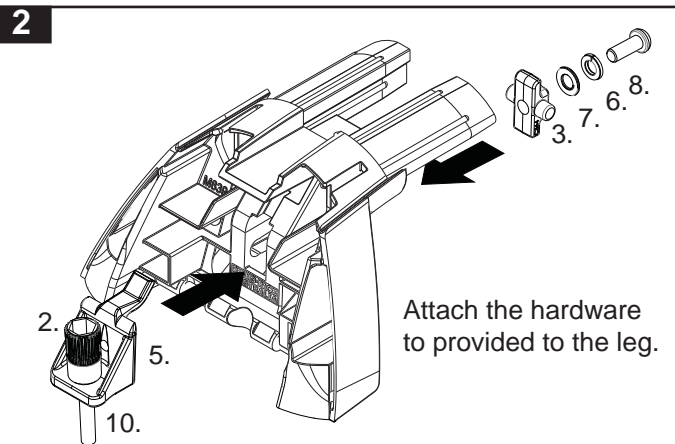
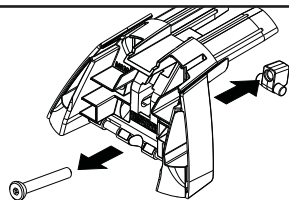


Instructions

1 Discard parts shown below from RLKVF.

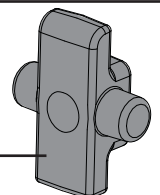


Note: Parts may have to be removed from legs.



Be aware of the correct orientation of the rear mount bracket.

This face into rear of leg.





Rhino-Rack ROC25 Crossbar Kit Fixed Mount Point

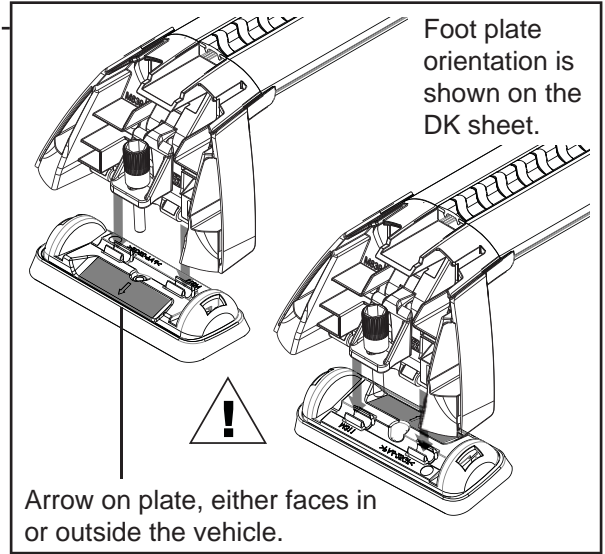
3 Complete the crossbar assembly as illustrated in the ROC25 RLKVF instructions (R1429, steps 1, 2 and 4). Fit the foot plate and pads to the crossbar assemblies. Refer to the DK sheet corresponding to your vehicle for correct orientations. **Note DK shown as example only. Now complete step 5 in the ROC25 RLKVA instructions (R1429).**

DK001 Rhino-Rack VA, Aero, Euro & HD crossbar instruction

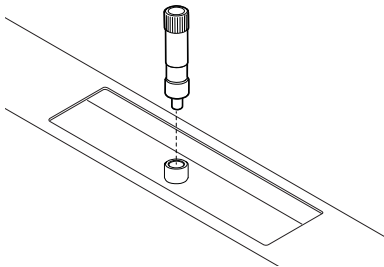
IDENTIFICATION CHART

Vehicle	Date	Crossbar	FRONT CROSSBAR				REAR CROSSBAR							
			Front Pair Clamp	Rear Pair Clamp	Measurement strip length per side	Measurement strip length per side	Measurement Distance L-R	Arrow direction	Front Pair Clamp	Rear Pair Clamp	Measurement strip length per side	Measurement strip length per side	Measurement Distance L-R	Arrow direction
Ford Focus Sdr Hatch L5L1V	05-11	1260mm	M367 114500	M367 114500	181mm	68mm	1030mm	OUT	M365 114490	M365 114490	181mm	68mm	1030mm	OUT
Mitsubishi 380 4dr Sedan DS	05-08	1260mm	M367 114500	M367 114500	191mm	78mm	1030mm	OUT	M365 114490	M365 114490	188mm	55mm	984mm	OUT
Mitsubishi Galant 4dr Sedan	04-07	1260mm	M367 114500	M367 114500	191mm	78mm	1030mm	OUT	M365 114490	M365 114490	188mm	55mm	984mm	OUT

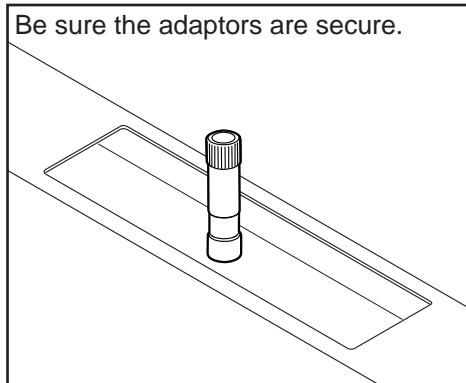
Page 1 of 2



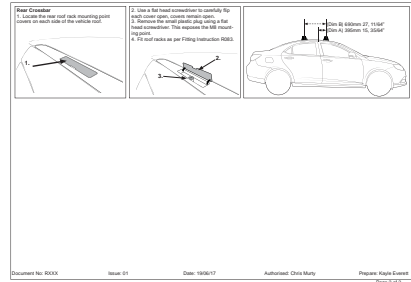
4 Install the fix point adaptors into the mounting points on the roof of the vehicle.



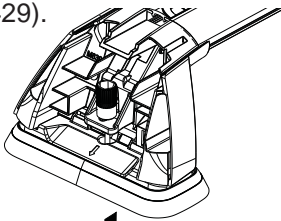
Be sure the adaptors are secure.



Note: Difficult fits will be detailed on the corresponding DK sheet to your vehicle. **DK shown as example only.**



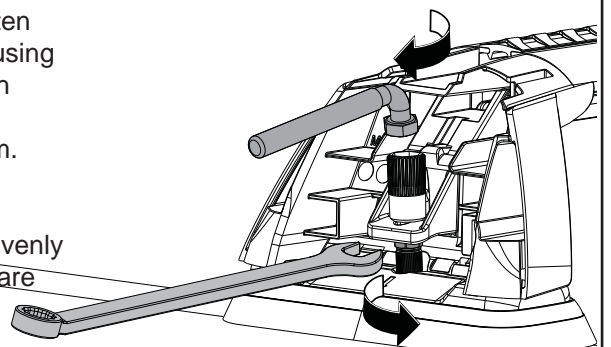
5 Install the fix point adaptors into the mounting points on the roof of the vehicle. Tighten in place and fit covers as per step 12 in the ROC25 RLKVF instructions (R1429).



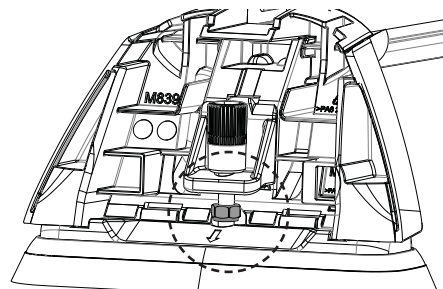
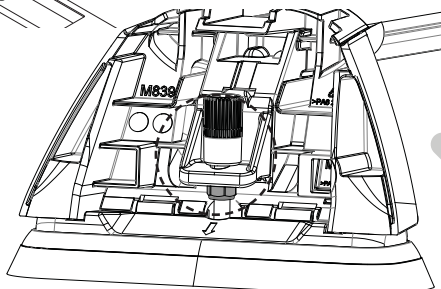
Locate M6 screw into stud. Tighten plastic bolt housing alternately both sides. Tighten 3-4 Nm.

Ensure rubber gasket flares evenly and no edges are tucked under.

Progressively check the roof panel of the vehicle and ensure no indentation is occurring.



Tighten M6 Nyloc nut against underside of metal bracket. 1-2 Nm. Do not over tighten.



Now complete steps 11 and 12 in the ROC25 RLKVF instructions (R1429).