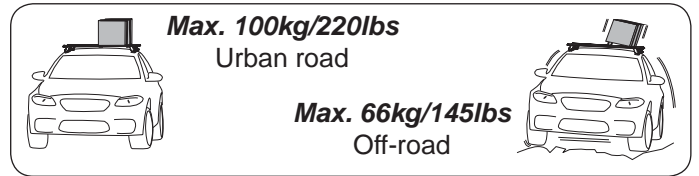
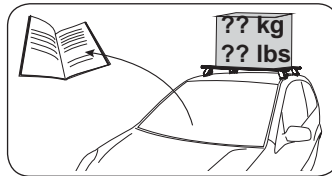
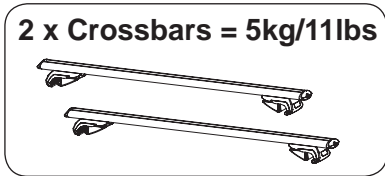
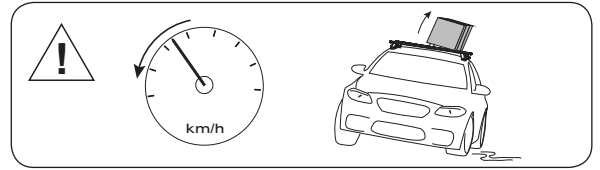
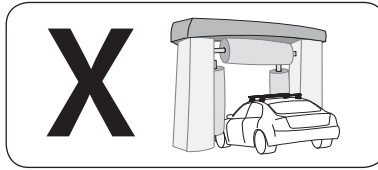
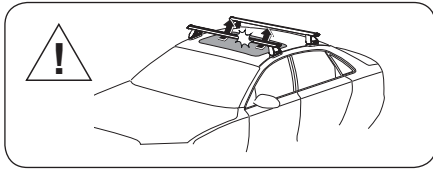
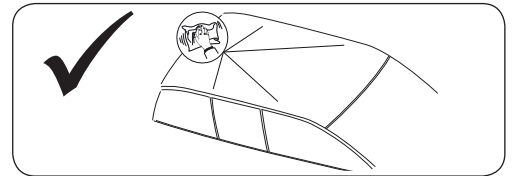
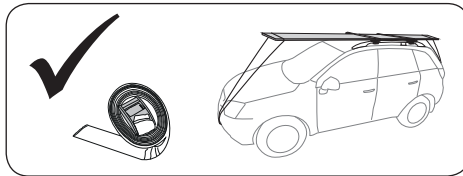
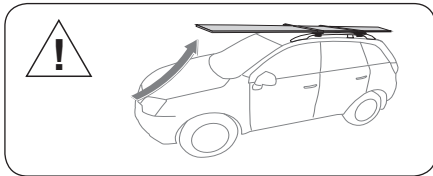




RHINO-RACK

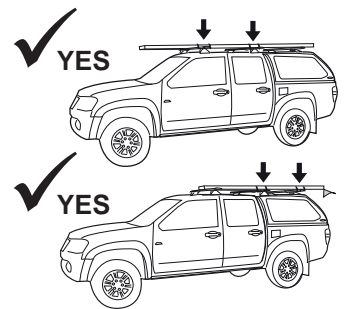
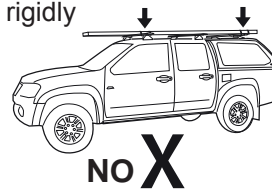
SX024, SX025, SX026, SX033

WARNING!



WARNING! Important Load Carrying Instructions

With utility vehicles, the cabin and the canopy move independently. [Roof racks](#) and vehicle can be damaged if the item transported is rigidly fixed at points on both the cabin and canopy. Instead, rigidly fix to either the cabin roof racks or the canopy roof racks.



- Any load transported on Roof Racks must be evenly distributed.
- Instructions are to remain with the vehicle.
- Do not attempt to fit the roof racks to your vehicle unless you fully read and understand the fitting instructions provided.
- Please direct any questions to the dealer from where the roof racks were purchased.
- Check the contents of this kit before commencing fitment and report any discrepancies.

Maximum load capacity: 50/100kg - 110/220lbs. **Please refer to your vehicle manufacturers handbook for maximum roof load capacity, always use the lower of the two figures.** Load figures shown reflect the use of two bars.

Recommendations:

It is essential that all bolt connections be checked after driving a short distance when you first install your crossbars. Bolt connections should be checked and lubricated at regular intervals (probably once a week is enough, depending on road conditions, usage, loads and distances travelled). You should also check the crossbars each time they are refitted. Make sure to fasten your load securely. Please ensure that all loads are evenly distributed and that the centre of gravity is kept as low as possible. **Crossbars must be removed when putting vehicle through an automatic car wash. Use only non-stretch fastening ropes or straps.**

Caution: The handling characteristics of the vehicle changes when you transport a load on the roof. For safety reasons we recommend you exercise extreme care when transporting wind-resistant loads. Special consideration must be taken into account when cornering and braking.

Off-road Load Rating:

When crossbars are to be used in off-road conditions, please build a safety factor of 1.5 into this load limit for off-road use, two crossbars = **33/66kg - 73/145lbs**. Although the crossbars are tested and approved to AS1235-2000, off-road conditions can be much more rigorous. However, increasing the number of crossbars does not increase the vehicles maximum permissible roof loading.



RHINO-RACK

SX024, SX025, SX026, SX033

Important: Items 1,2,3 and 5 sold as separate kit.

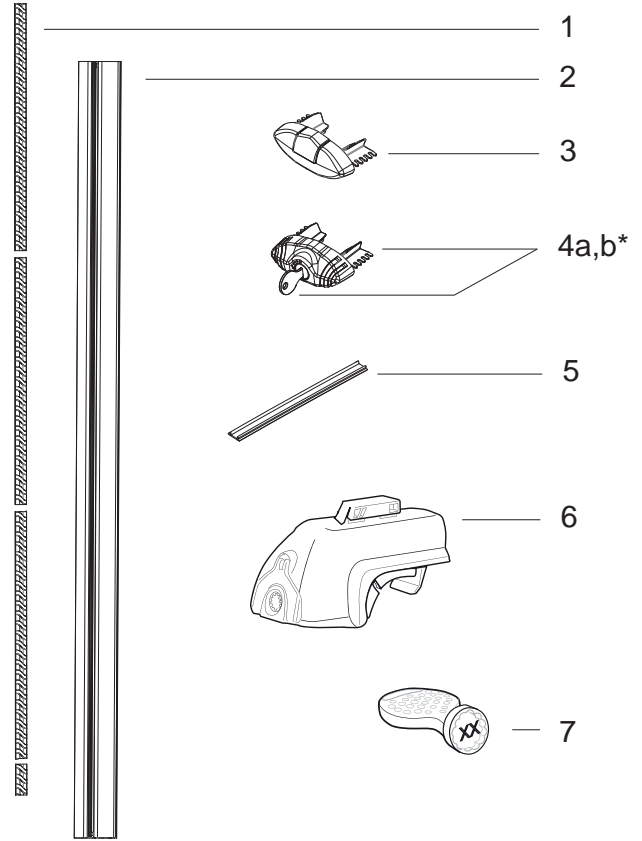
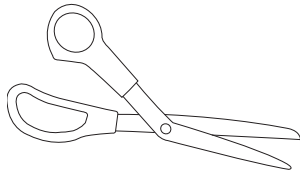
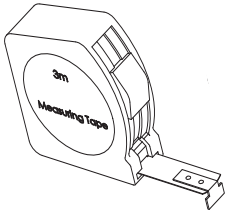
Item	Component Name	Qty	Part No.
1	Vortex Generating Strip	2-4	M626
2	Crossbar	2	VA---
3	End Cap	4	M645
4a*	End Cap Locking	4	VA-LEC4
4b*	Lock Barrel Key	3	CA1069
5	Crossbar Under bar Strip	4	M641
6	Foot Unit	4	See Below
7	Plastic Lock Key Suit	3	121091
8	Fitting Instruction	1	R160

*Optional Extra. **NOTE:** Instruction will suit Foot Unit 3709, 3711, 3712 and 3713.

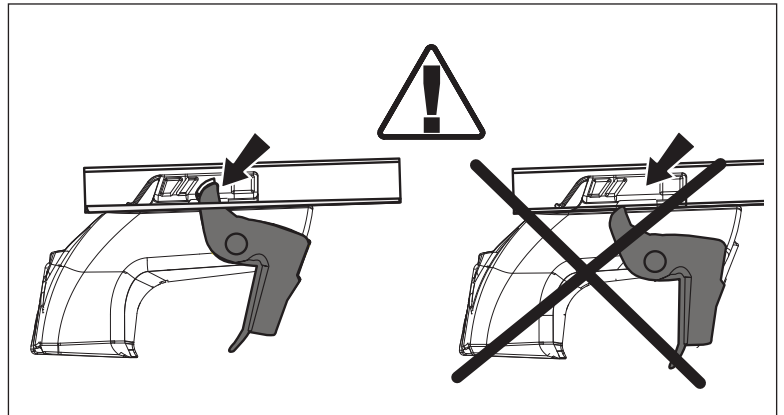
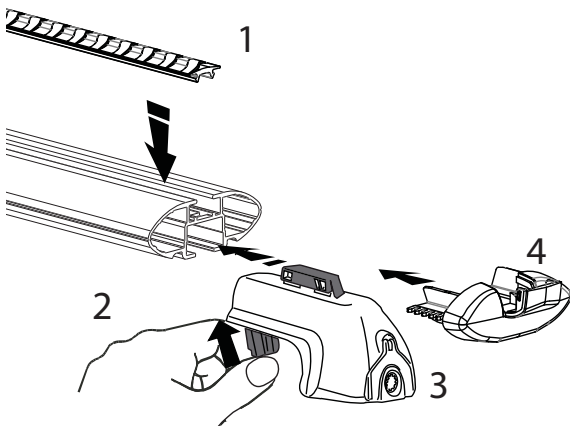
Care Instruction:

Wash and clean vehicle roof rails prior to fitting the roof racks.

Tools:

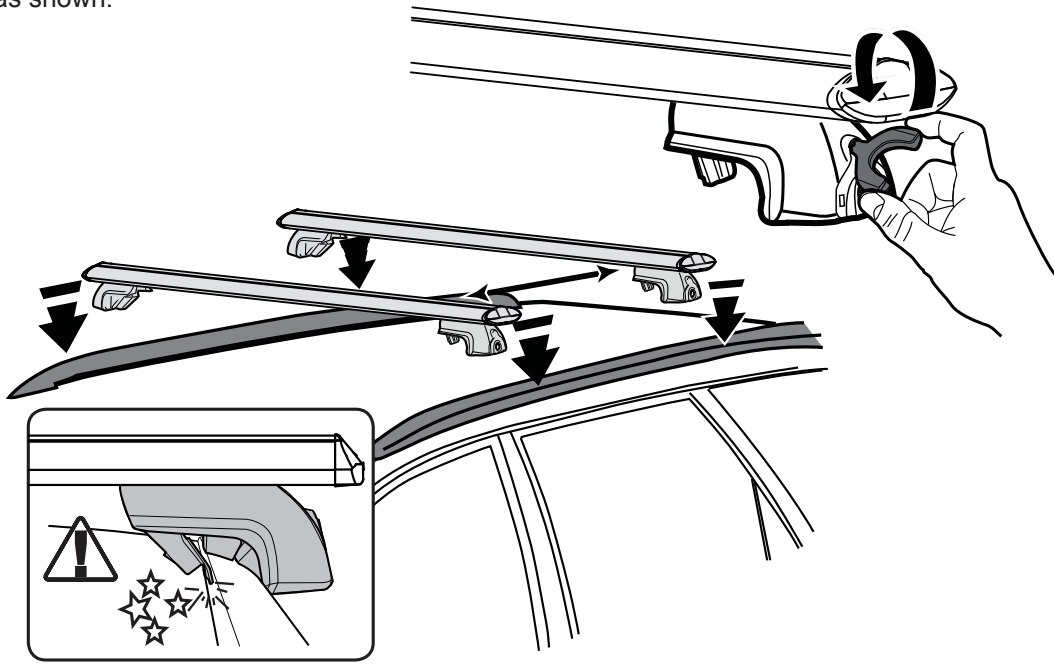


1

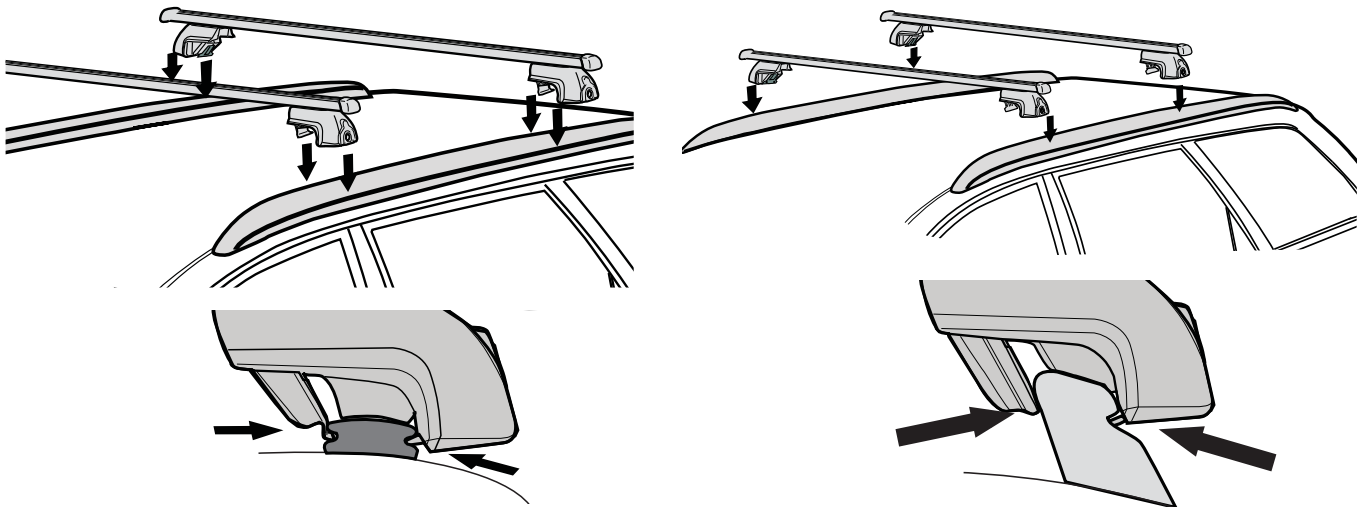


SX024,SX025,SX026,SX033

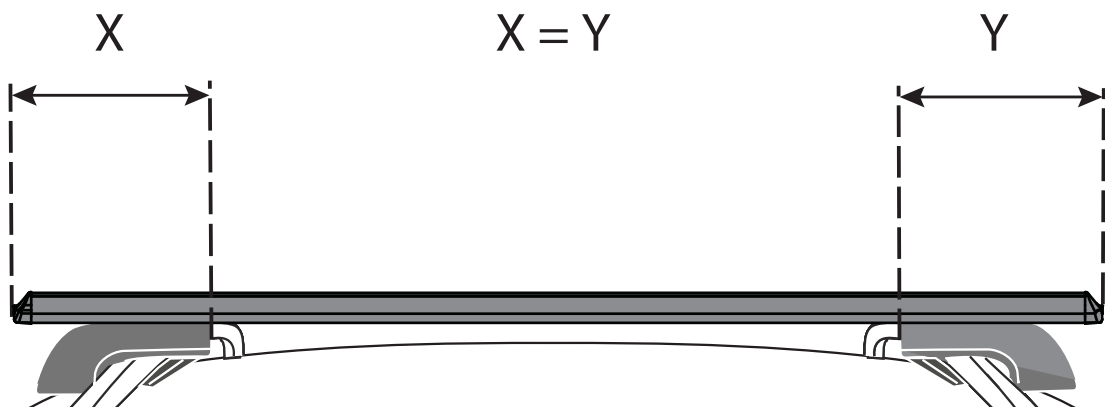
2 Fit legs as shown.



3 Be aware of crossbar variation.



4



SX024,SX025,SX026,SX033

