



RHINO-RACK

Aerodynamic & Heavy Duty Roof Rack Systems

SPC4 & SPC6 Rhino Sportz - 4" & 6" Pipe Clamp

Place these instructions in the vehicle's glove box after installation is complete.

Important: Please read these instructions carefully prior to installation. Please refer to your fitting instruction to ensure that the roof racks are installed in the correct locations. Check the contents of kit before commencing fitment and report any discrepancies.

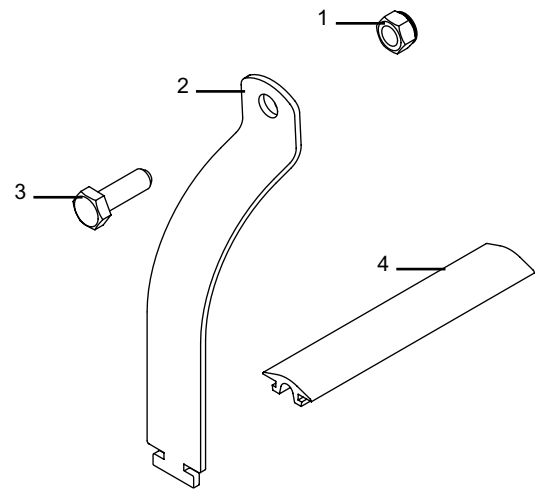
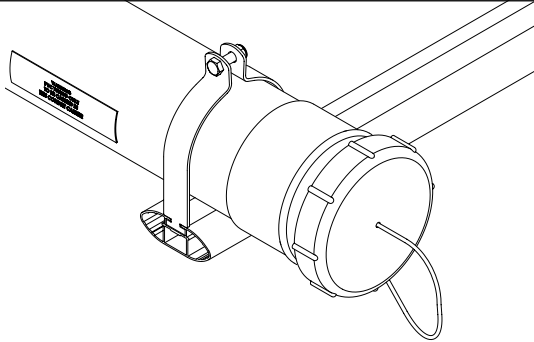
Parts List

Item	Component Name	Qty.	Part No.
1	M8 Nyloc Nut	2	N028
2A	4" (100mm) Sportz Pipe Clamp	4	C281
2B	6" (150mm) Sportz Pipe Clamp	4	C327
3	M8 x 25mm Hex Bolt	2	B101
4	Sportz Rubber Buffer Strip	2	R011
5	Fitting instruction	1	RS38

Tools Required

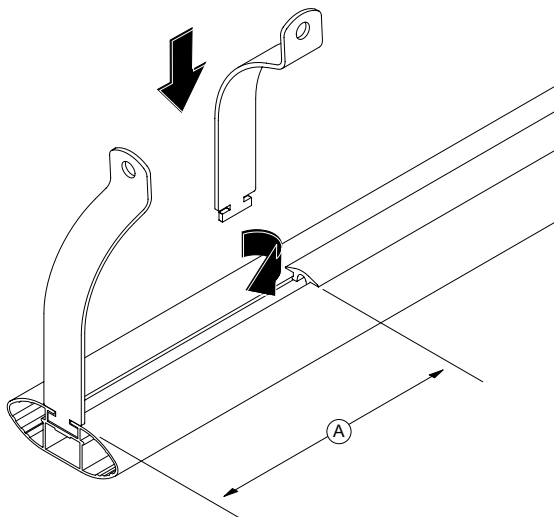
13mm Spanner
Tape measure
Stanley knife

Layout



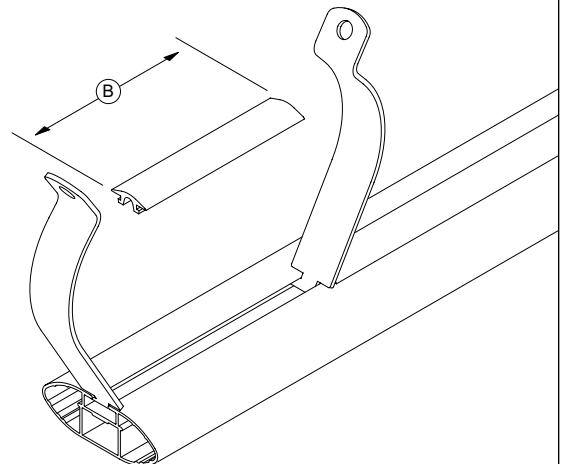
Trim the rubber buffer strip as shown, (A) = 120mm (for 4" conduit) and 170mm (for 6" conduit). Insert the Sportz pipe clamps vertically into the Sportz bar channel. Once inserted rotate 90° as shown.

1



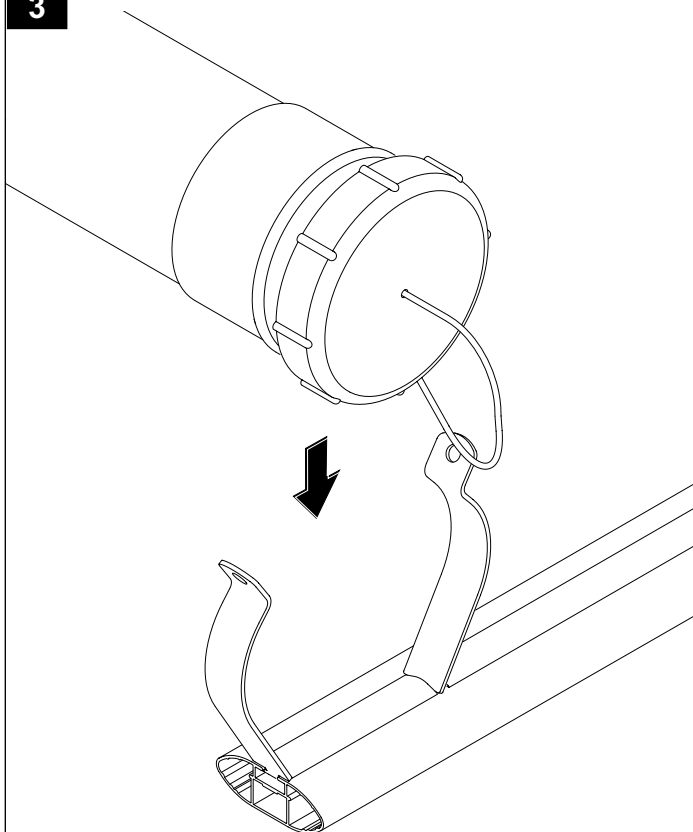
Cut the rubber buffer strip as shown, (B) = 110mm (for 4" conduit) and 160mm (for 6" conduit). Angle the pipe clamps back to allow room for the conduit. Place the rubber strip in between the clamps. Repeat steps 1 & 2 for the second set of clamps. Make sure the clamps are parallel to each other.

2



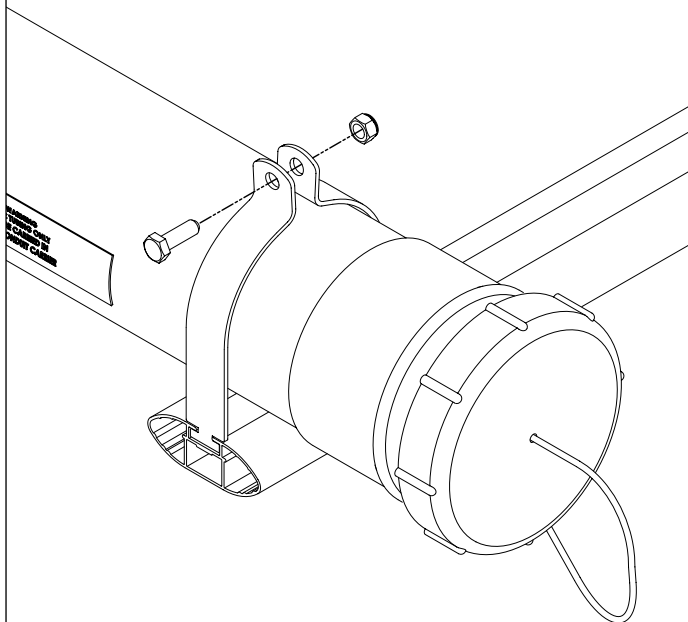
When both sets of clamps are attached place conduit in between the clamps.

3



Insert the nyloc nut and bolt and tighten using spanners.

4



Important Information

RECOMENDATIONS

Please refer to your fitting instruction to ensure that the roof racks are installed in the correct locations. The vehicles roof load rating may be less than the roof rack load rating.

It is essential that all screw/bolt connections are checked after driving a short distance when you first install your roof racks. Screw/bolt connections should be checked again at regular intervals (probably once a week is enough, depending on road conditions, usage, loads and distances travelled). You should also check the roof racks each time they are refitted.

Roof racks and accessories should be cleaned and all screw threads should be lubricated at regular intervals. This will help avoid damage to your vehicles paint surface. Always clean the vehicle roof and the mounting brackets before fitting the roof bars.

Rhino-Rack offers a 3 year warranty to the original purchaser of Rhino-Roof Rack Systems and Accessories. Rhino-Rack cannot be held responsible for incorrect mounting of the roof racks or for usage that exceeds production tolerances.

Make sure to fasten the load securely. Please ensure that all loads are evenly distributed and that the centre of gravity is kept as low as possible.

USE ONLY NON-STRETCH FASTENING ROPES AND STRAPS

SENSITIVITY TO CROSSWINDS, BEHAVIOUR IN CURVES AND BRAKING

The handling of the car changes when you transport a load on the roof.

For safety reasons, we recommend you exercise extreme care when transporting wind resistant loads.

Special consideration must be taken into account when braking.

PLEASE REMOVE ROOF RACKS WHEN PUTTING VEHICLE THROUGH AUTOMATIC CAR WASH

NOTE FOR DEALERS AND FITTERS

It is your responsibility to ensure instructions are given to the end user or supplier.