



# RHINO-RACK

## S606 Vortex Underbar Retainer

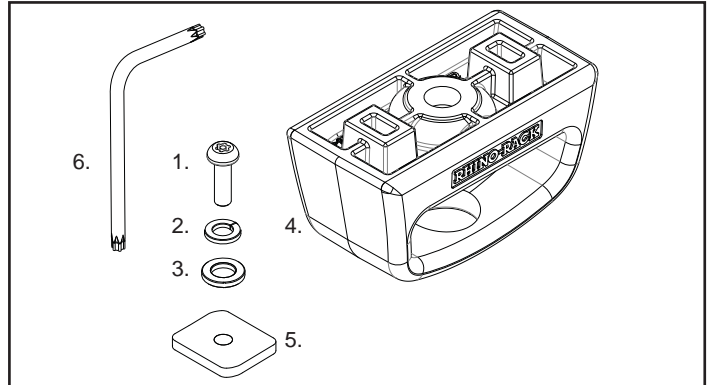
- |  |  |
|--|--|
| 1. <input type="checkbox"/> Check Part No./Kit is correct              | 3. <input type="checkbox"/> Fit roof rack accessory                    |
| 2. <input type="checkbox"/> Read through instruction before installing | 4. <input type="checkbox"/> Check and recheck all fasteners are secure |

### Parts List

Item	Component	Qty	Part No.
1	M6 x 20mm Torx Screw	2	B243
2	M6 Spring Washer	2	W003
3	M6 x 12.5mm Flat Washer	2	W004
4	Crossbar Strap Retainer	2	M870
5	M6 Nut 24mm x 21mm	2	N057
6	T27 Torx Key	1	H054
7	Instructions	1	R1349

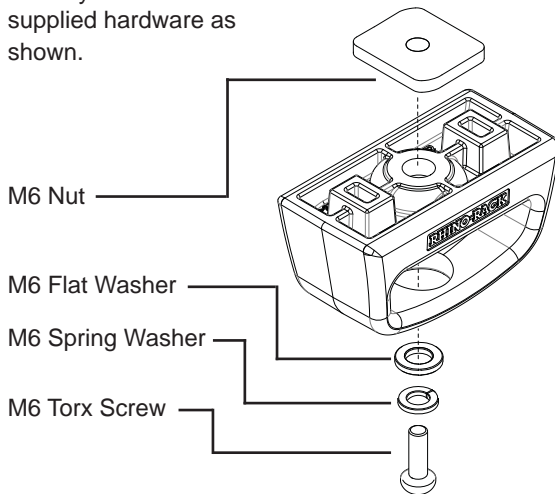
**Note:** For use with vortex crossbars. Tie down straps sold as separate. Always be sure load is secure before driving.

**Tools required:** Torx key (provided). Tie down straps.

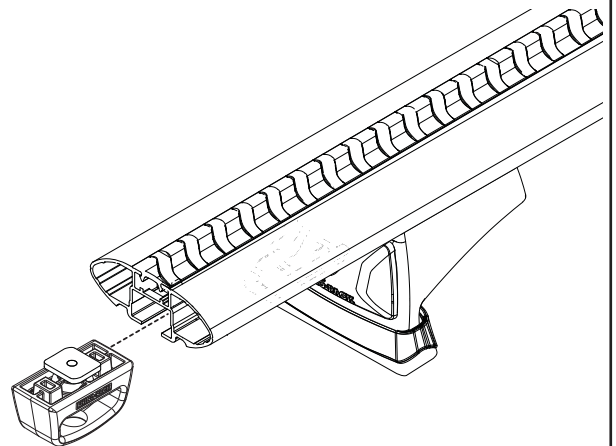


### Instructions

- 1** Loosely assemble the supplied hardware as shown.



- 2** With the end cap removed from the crossbar, slide the assembly into position (front and rear) and tighten in place with the torx key provided. Replace the end cap.



- 3** Use a tie-down strap, and pull the strap through the strap retainer. Take the strap over the load, around and under the crossbar, and back through the locking mechanism on the strap. Ensure the strap is pulling down and taut. This will ensure the load cannot slide out.

