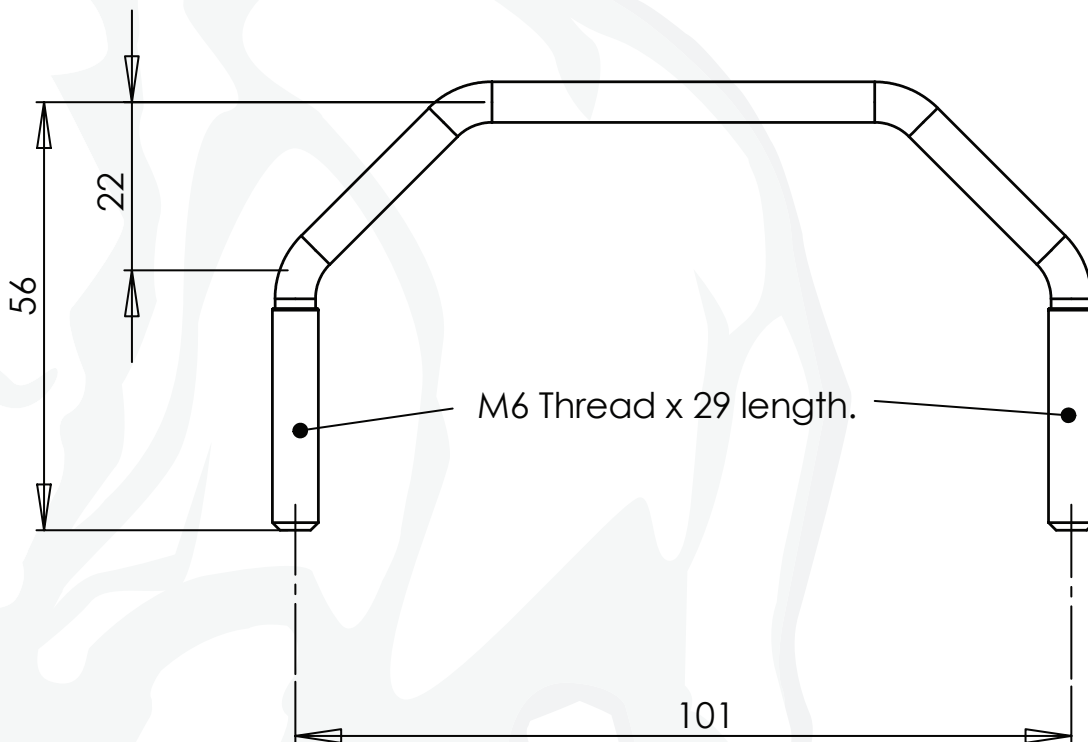




RHINO-RACK

S280 (56mm)

Dimensions in mm



C005 U Bolt M6 x 102