



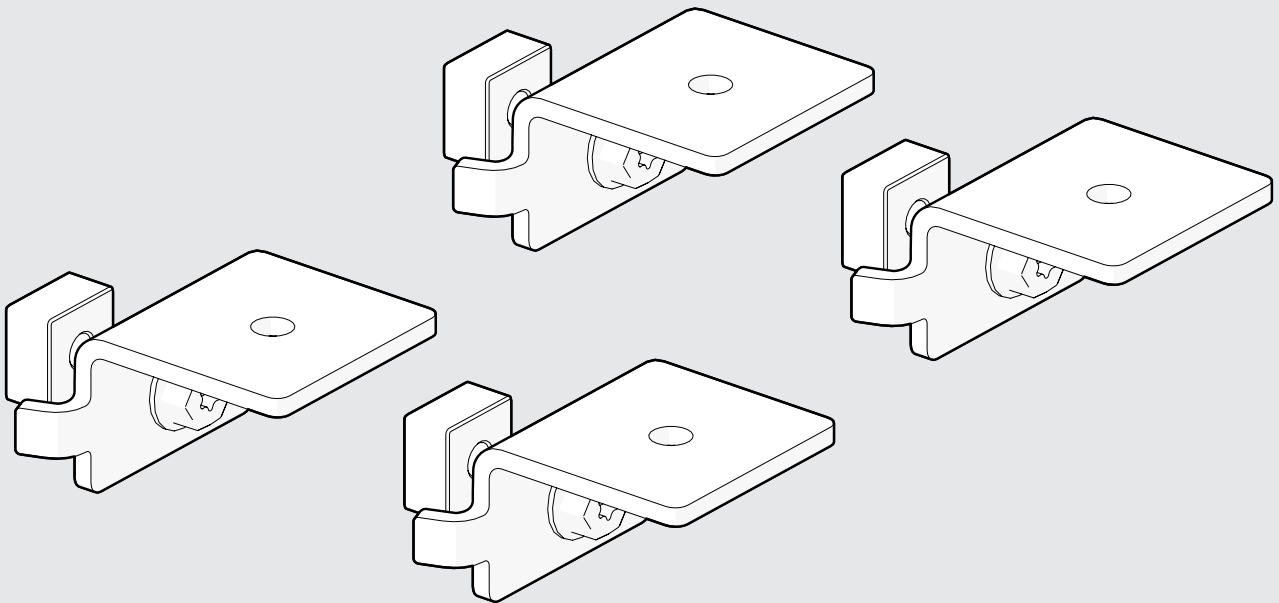
RHINO-RACK®

Reconn-Deck Bar Side Mount Brackets RTTRDB

Important:

1. Check the Rhino-Rack website to ensure you have the latest issue of these instructions.
2. Please refer to your fitting instruction to ensure that the brackets are installed in the correct locations.
3. Check the contents of kit before commencing fitment and report any discrepancies.
4. Place these instructions in the vehicle's glove box after installation is complete.
5. These instructions must be followed for warranty to be upheld.

Fit Time: 10mins



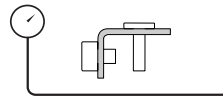
Reconn-Deck Bar Side Mount Brackets

Carrying Capacity

Max system load capacity:

Check your vehicle owners hand book for vehicle maximum carrying capacity. Please ensure you use the vehicle manufacturers maximum load allowance if it is lower than the figure listed in this instruction.

Load must be evenly distributed over the system.



SYSTEM WEIGHT

0.65kg / 1.43lbs

Vehicle Load Limit: Total permissible weight attached to the roof of the car. This is inclusive of the weight of the roof rack system.

System Load Limit: Total permissible weight allowed on top, and attached to roof racks whilst the vehicle is in motion.

Torque Settings

Unless stated otherwise in these instructions, all fasteners should be set to the following torque settings -

M6: 4-5Nm (3-4lbs/ft),

M8: 8-10Nm (6-7.5lbs/ft) and

M10: 16-18Nm (12-13lbs/ft).

Warning

- Check part number or kit is correct for use with your vehicle.
- Do not attempt to fit system to your vehicle unless you fully understand these fitting instructions. Please direct any questions regarding fitting to the dealer from where it was purchased from.
- Off-road conditions can be rigorous. Extreme care must be taken in off road conditions.
- Always ensure you fasten your load securely.
- Use only non-stretch fastening ropes or straps to attach cargo to your load.

In Service Maintenance Checks

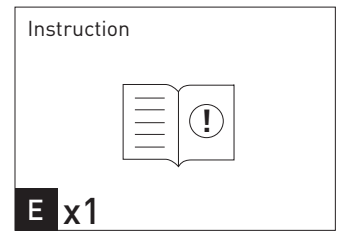
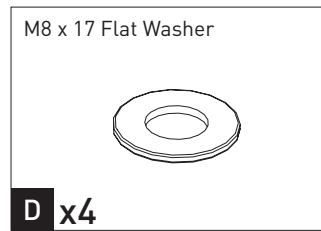
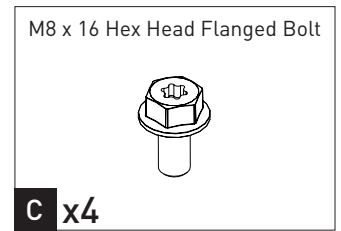
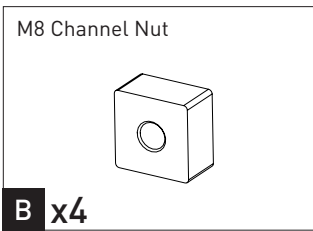
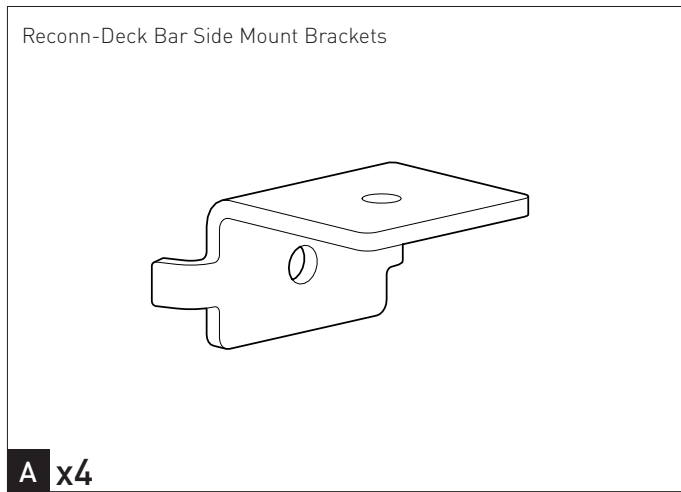
- All bolted connections should be checked after driving a short distance after installation.
- All bolted connections should be checked again at regular intervals (every 1000k (621mi) is recommended, depending on road conditions, usage, loads and distances travelled). All bolted connections should also be checked each time they are re-fitted.

Note for Dealers and Fitters

It is your responsibility to ensure these fitting instructions are given to the end user or client. These instructions remain the property of Rhino-Rack Australia Pty. Ltd. and may not be used or changed for any other purpose than intended.

Reconn-Deck Bar Side Mount Brackets

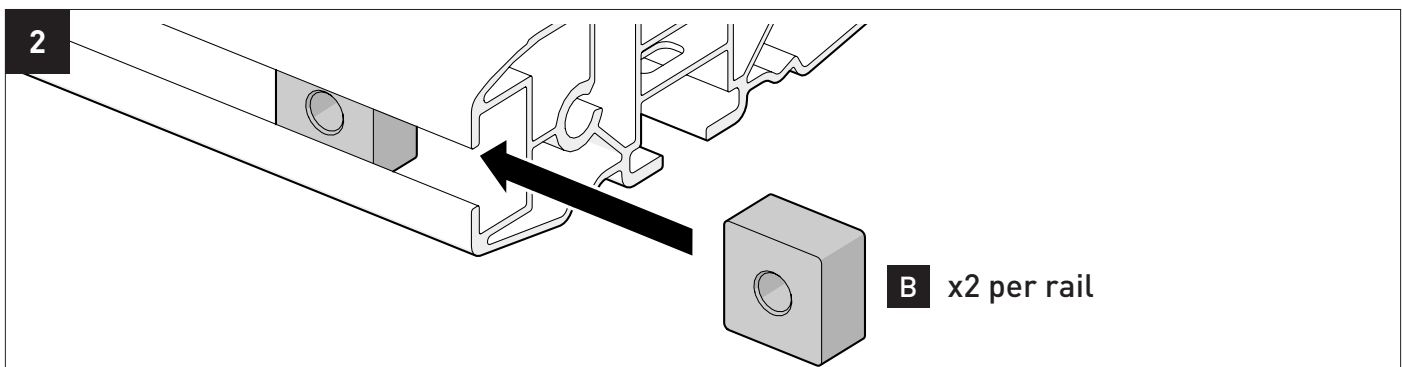
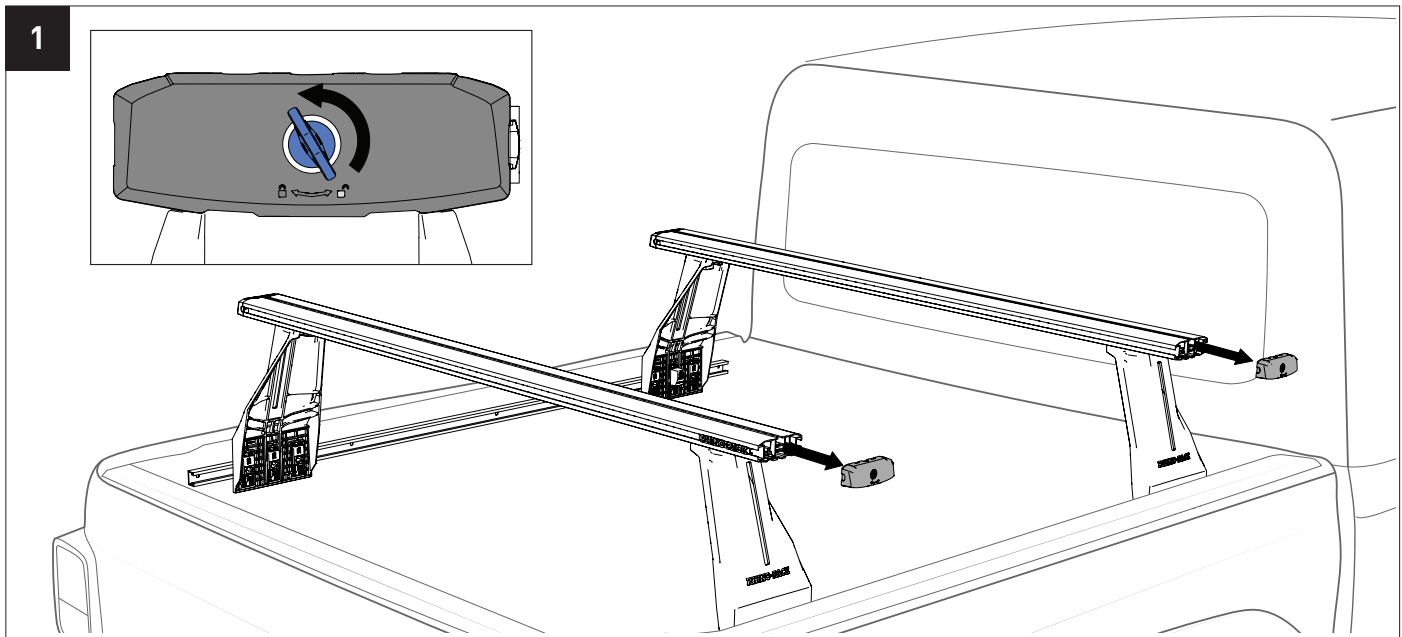
Parts List



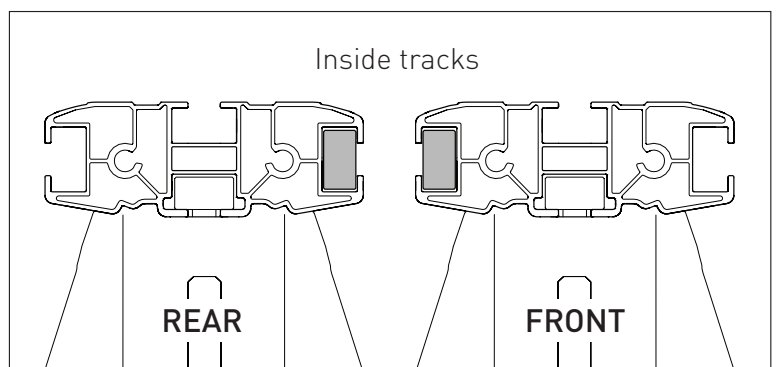
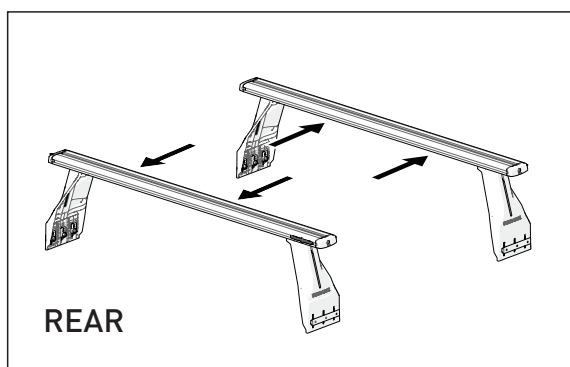
Tools Required

T1 - Socket Wrench

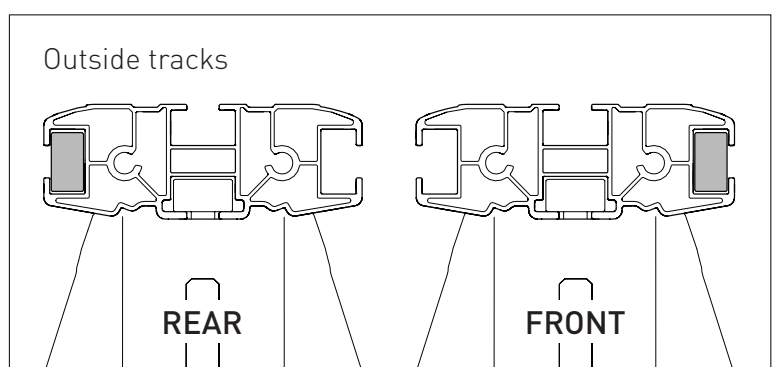
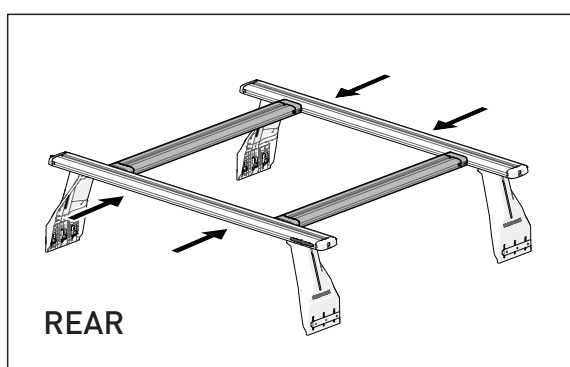
Reconn-Deck Bar Side Mount Brackets



OPTION 1 - Recommended (Use inside tracks of crossbar)

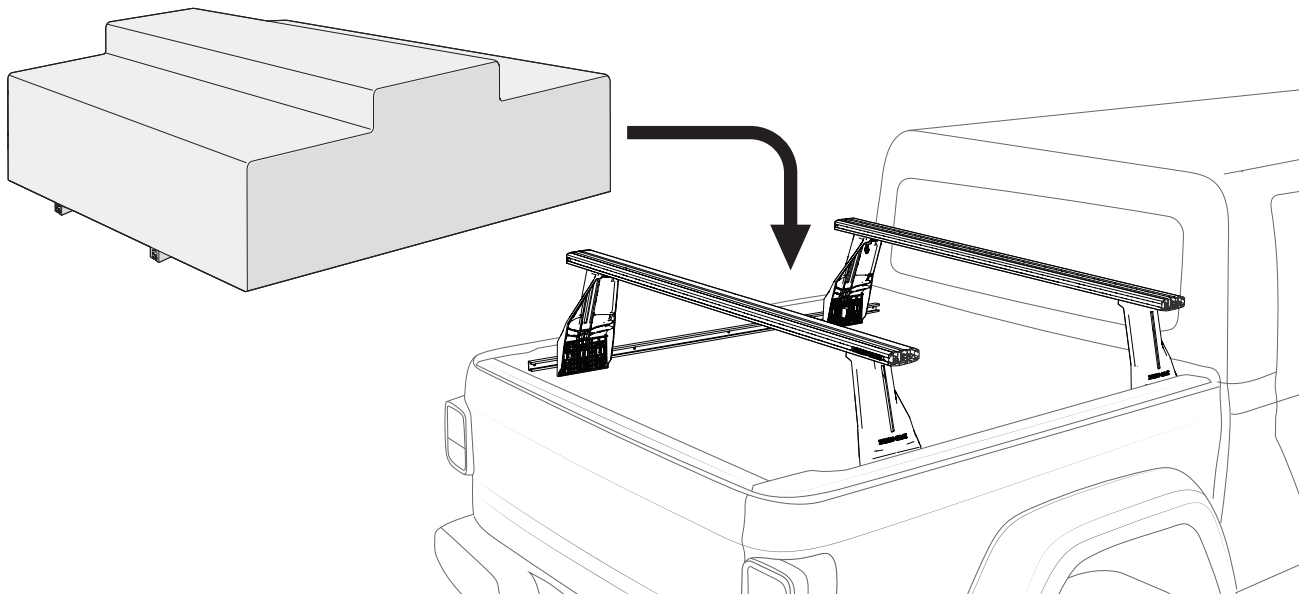


OPTION 2 - NS Bar Installed (Use outside tracks of crossbar)

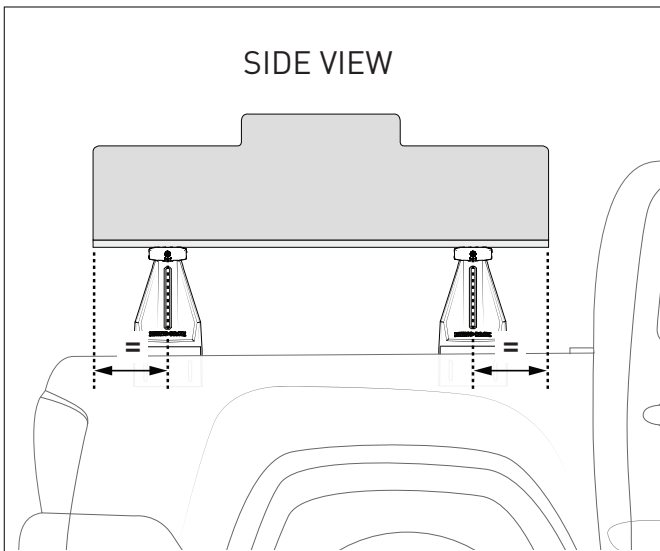


Reconn-Deck Bar Side Mount Brackets

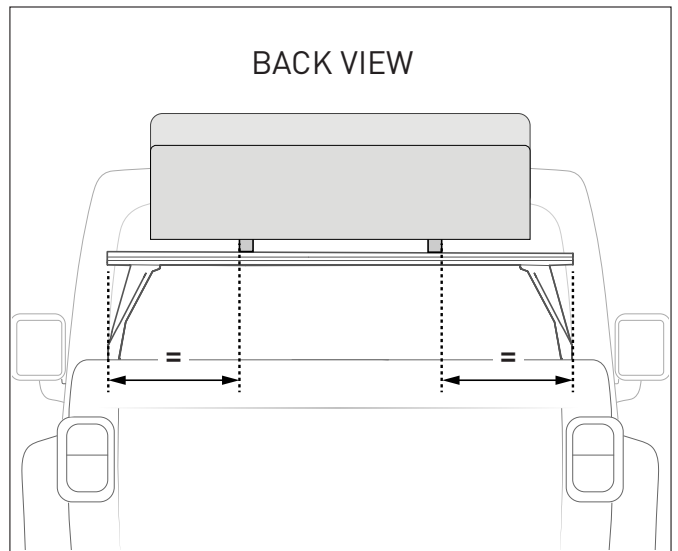
- 3** Place rooftop tent rail onto installed brackets



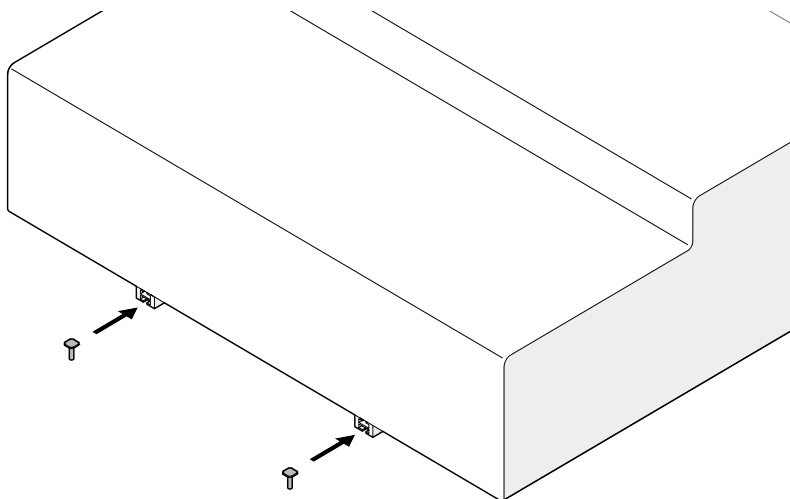
SIDE VIEW



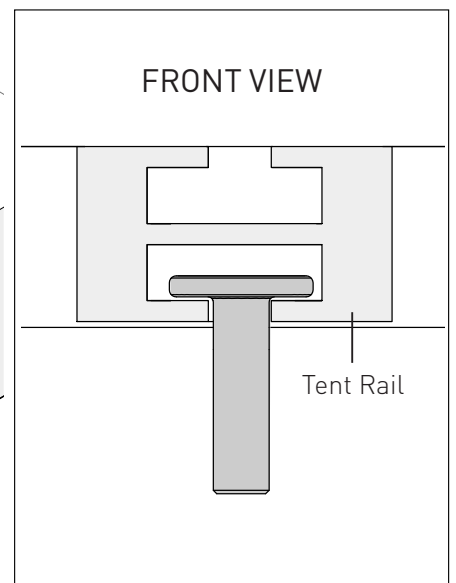
BACK VIEW



- 4** Slide rooftop tent fitting hardware into the rooftop tent rail channels. Repeat for other side of tent.

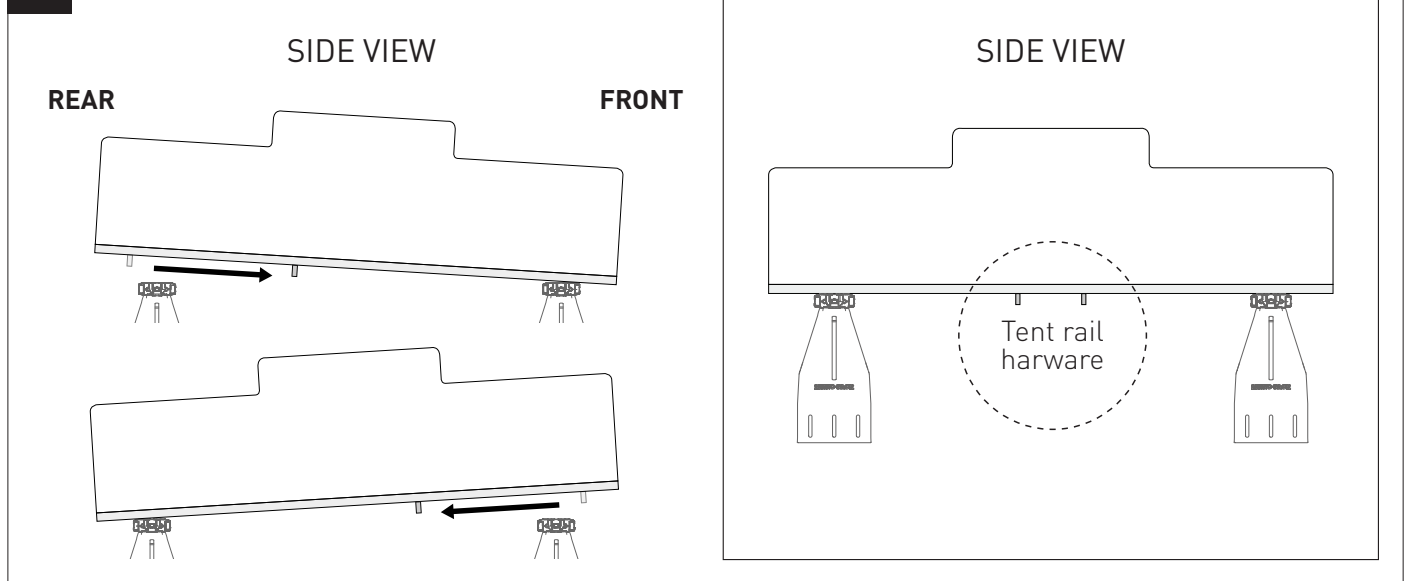


FRONT VIEW

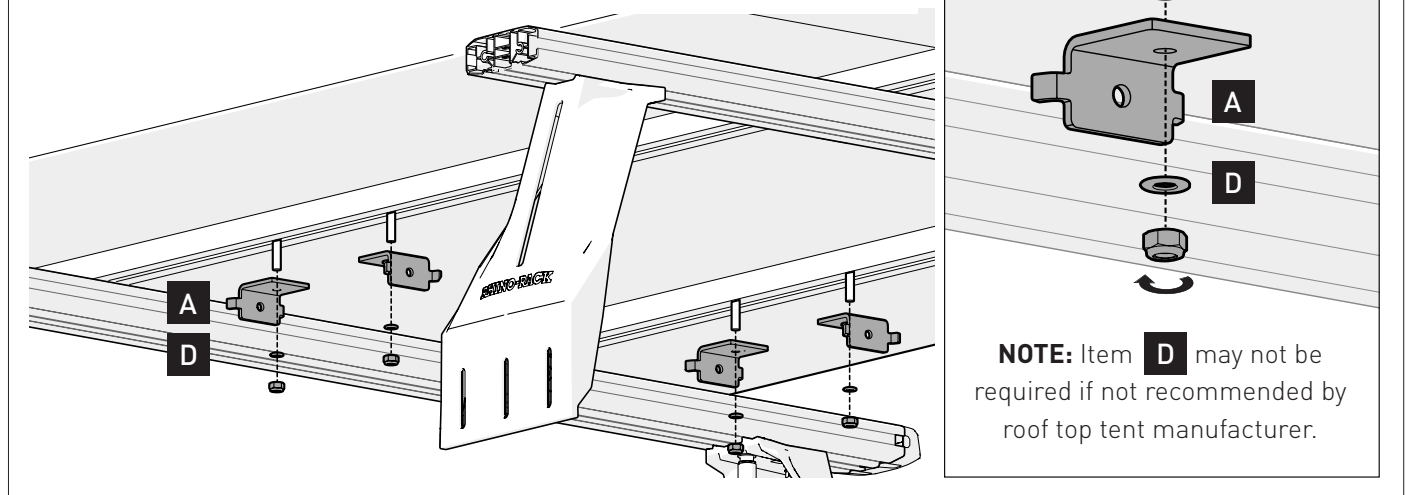


Reconn-Deck Bar Side Mount Brackets

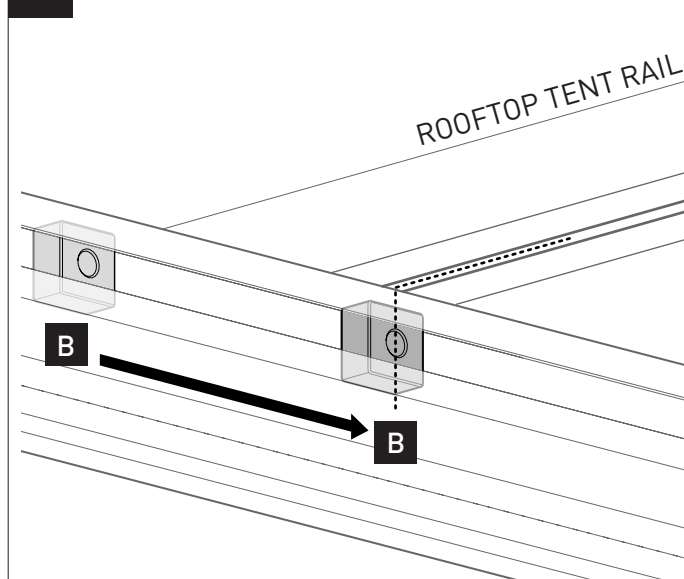
- 5** Slide hardware to middle of tent rails



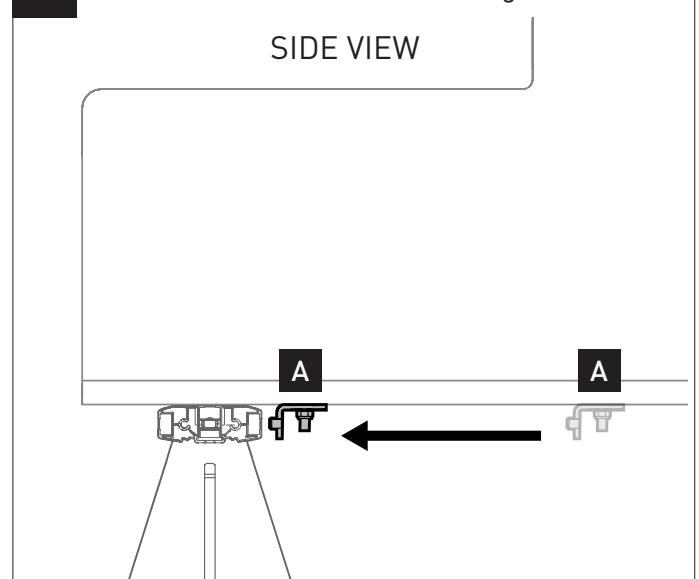
- 6** Loosely install **A** in the direction shown below with the rooftop tent fitting hardware as per roof top tent manufacturer's instructions. Brackets must be able to slide.



- 7** Slide channel nuts in line with tent rail.

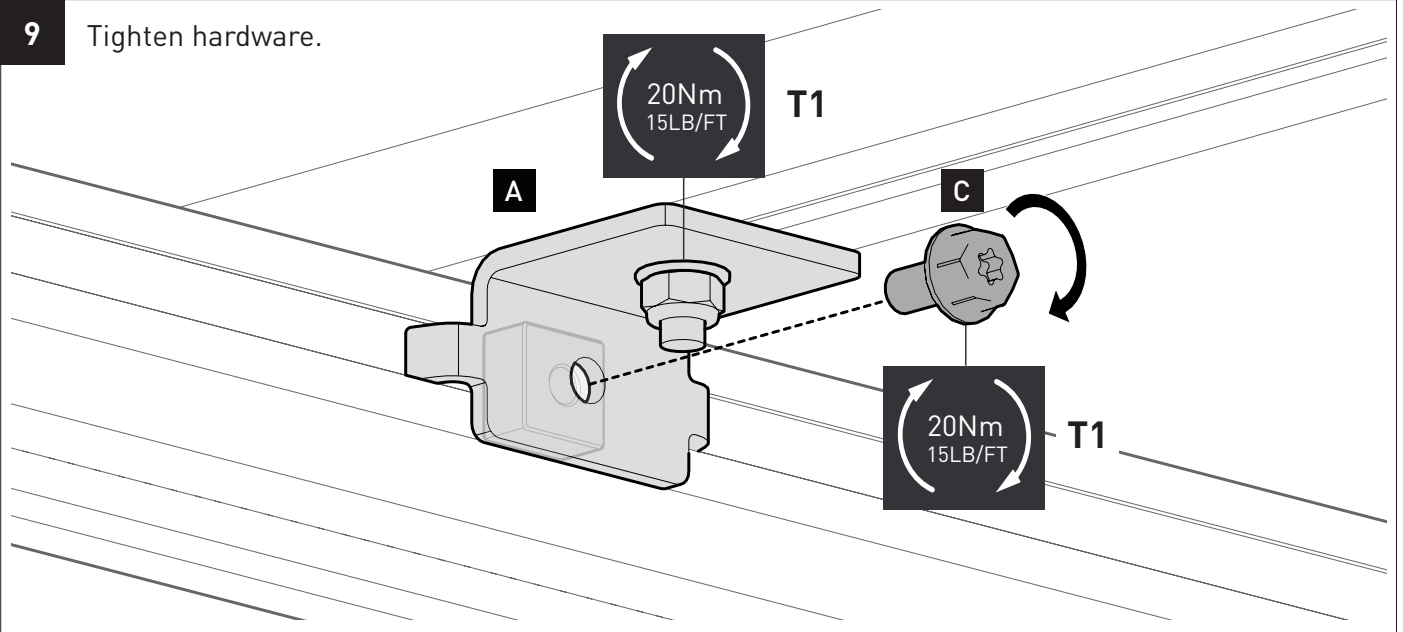


- 8** Slide brackets to inner track edge.

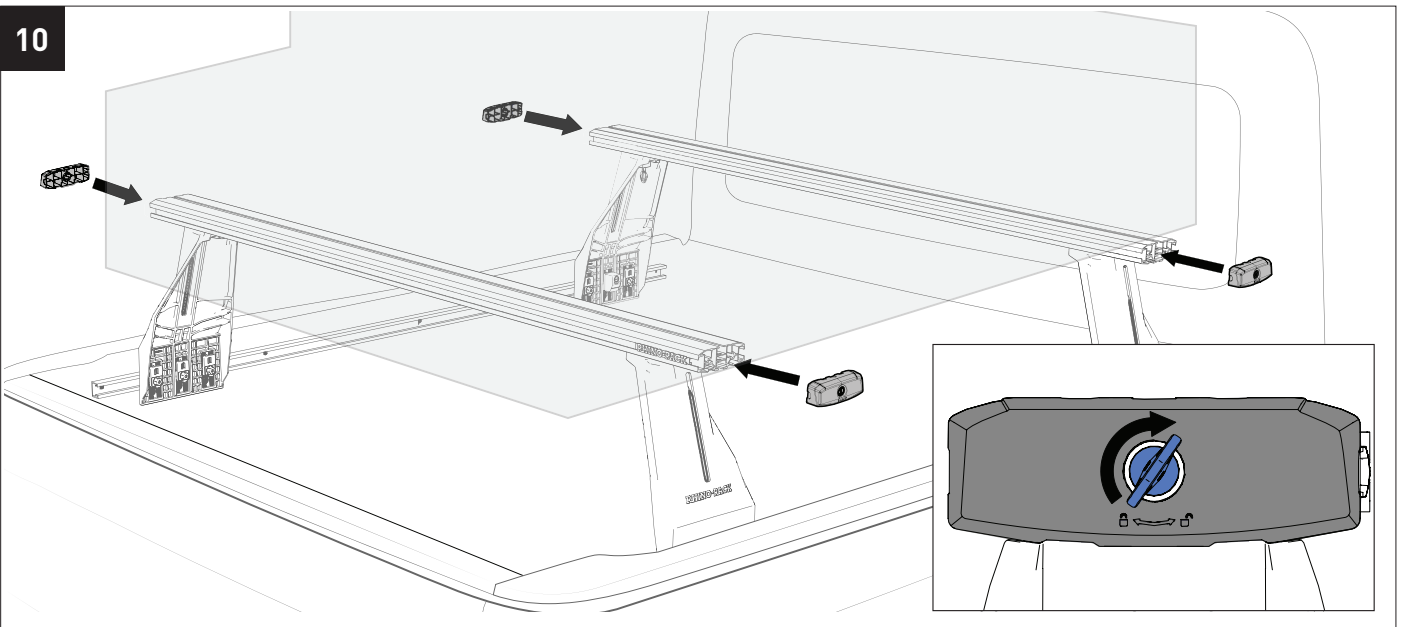


Reconn-Deck Bar Side Mount Brackets

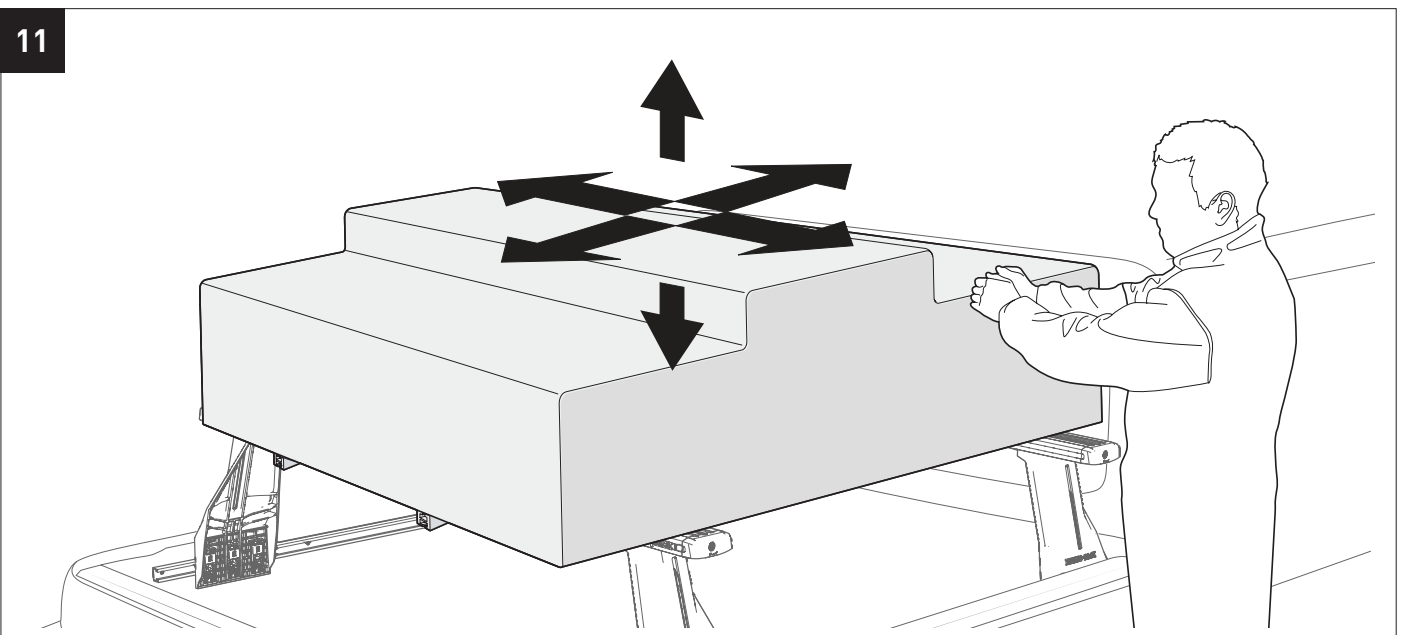
9 Tighten hardware.



10



11



[View other roof racks and cargo carriers made by Rhino-Rack on our website.](#)