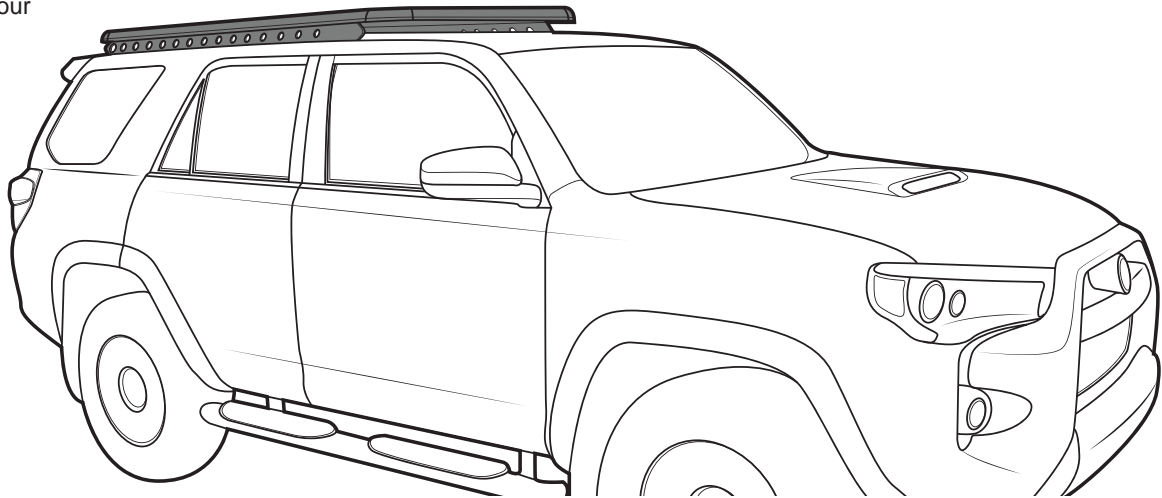


RHINO-RACK

Toyota 4Runner Backbone - RT4B1

Fit Time: 1 Hour



Important Information

Maximum carrying capacity:

Suitable Pioneers	On Road Cargo Allowance	Off Road Cargo Allowance	Static Allowance	Roof Allowance	Rack Weight
42102B	69kg / 152lb	49kg / 108lb	329kg / 725lb	100kg /220lb	31kg / 68lb
45102B	66.5kg / 147lb	46.5kg / 103lb	326.5kg / 720lb		33.5kg / 74lb
41102	63.5kg / 140lb	43.5kg / 96lb	323.5kg / 713lb		36.5kg / 80lb
42107B	66.5kg / 147lb	46.5kg / 103lb	326.5kg / 720lb		33.5kg / 74lb
45107B	63.5kg / 140lb	43.5kg / 96lb	323.5kg / 713lb		36.5kg / 80lb
41107	61kg / 135lb	41kg / 90lb	321kg / 708lb		39kg / 86lb

Roof Allowance: Total permissible weight attached to the roof of the car. This is inclusive of the weight of the roof rack system

Cargo Allowance: Total permissible weight allowed on top, and attached to roof racks whilst the vehicle is in motion

Static Allowance: Total permissible weight allowed on top, and attached to roof racks whilst the vehicle is stationary

Please refer to your vehicle manufacturers handbook for maximum carrying capacity. Always use the lower of the two figures. Load must be evenly distributed over the entire Pioneer. Weight of roof rack accessories is to be included in cargo allowance.

Torque settings

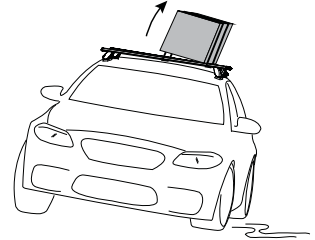
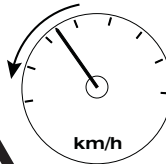
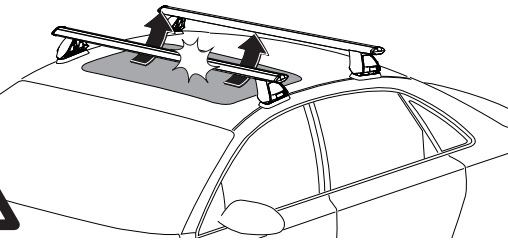
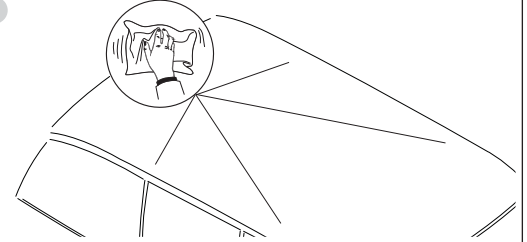
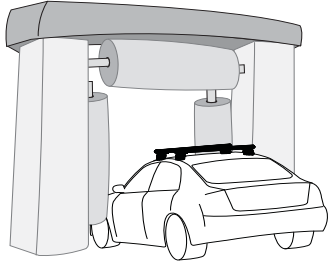
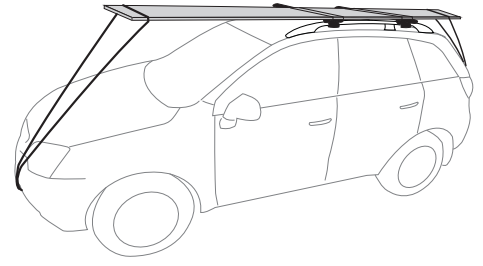
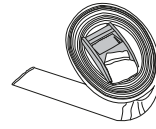
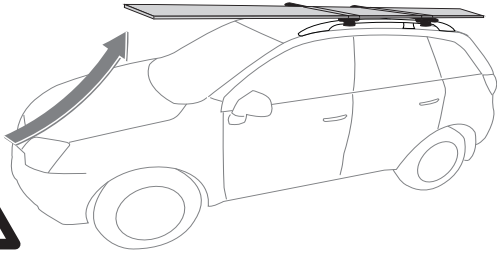
Unless stated otherwise in these instructions, all fasteners should be set to the following torque settings -

M6: 4-5Nm (3-4lbs/ft), M8: 8-10Nm (6-7.5lbs/ft) and M10: 16-18Nm (12-13lbs/ft).

Warning:

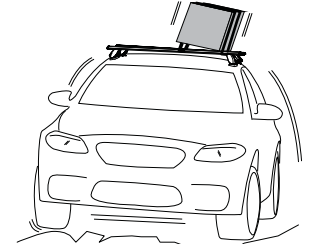
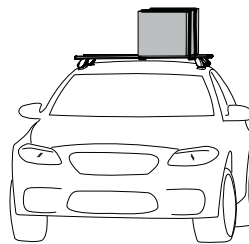
- Check Part No. and/ or Kit is correct for use with your vehicle
- Do not attempt to fit the rack system to your vehicle unless you fully understand these fitting instructions. Please direct any questions regarding fitting to the dealer from where the roof racks were purchased.
- **Use only non-stretch fastening ropes or straps.**
- The handling characteristics of the vehicle changes when you transport a load on the roof. For safety reasons we recommend you exercise extreme care when transporting wind-resistant loads. Special consideration must be taken into account when cornering and braking.
- Although the system is tested and approved to AS1235-2000 / ISO 11154, off-road conditions can be much more rigorous. Extreme care must be taken in off road conditions

Toyota 4Runner Backbone - RT4B1

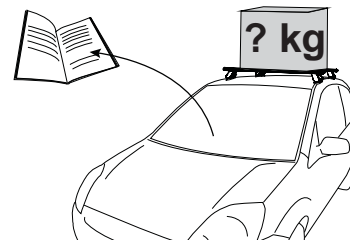
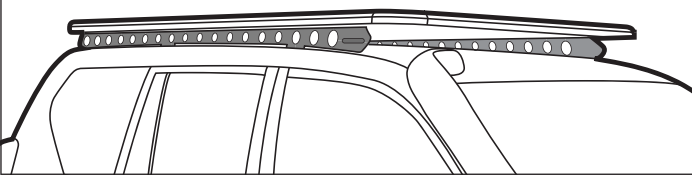


The handling characteristics of the vehicle changes when you transport a load on the roof. For safety reasons we recommend you exercise extreme care when transporting wind-resistant loads. Special consideration must be taken into account when cornering and braking.

Although the system is tested and approved to AS1235-2000 / ISO 11154, off-road conditions can be much more rigorous. Extreme care must be taken in off road conditions



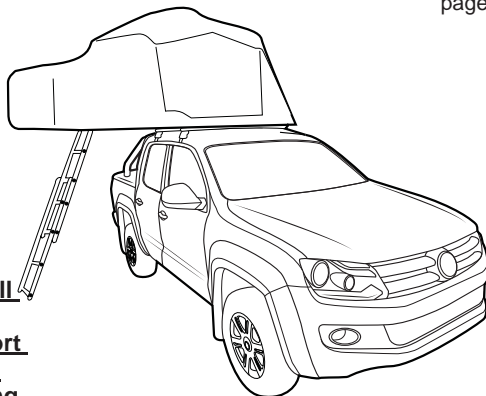
System Weight: 31kg - 39kg



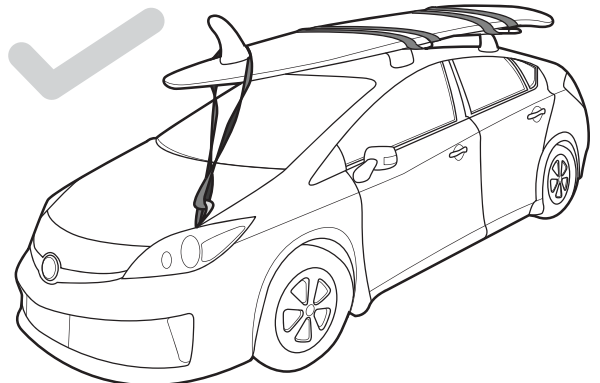
Static Load Rating: refer to front page



Ensure Ladder is well supported on the ground to help support tent. Take extreme caution when climbing heights above 1.2m/4ft.

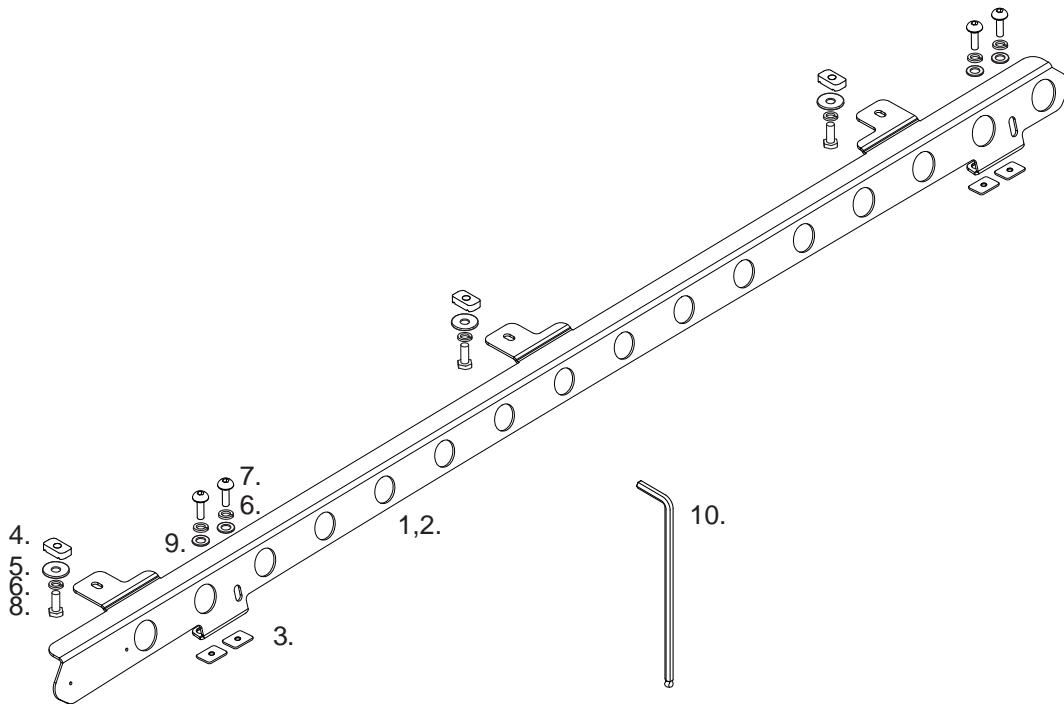


Paddle/ Surfboards should be fixed to the front of the vehicle.



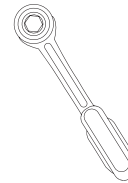
Toyota 4Runner Backbone - RT4B1

Parts List



Item	RTB41 Kit	Qty	Part No.
1	4Runner LH Backbone	1	CA1663
2	4Runner RH Backbone	1	CA1664
3	Butyl Patch 40mm x 25mm	8	CA1260
4	M8 Channel Nut	6	N003
5	M8x24x2 Flat Washer	6	W043
6	M8 Spring Washer	14	W019
7	M8x25 Dome Screw	8	B140
8	M8x 20 Hex Head Screw	6	B020-BLK
9	M8 x 16mm Flat Washer	8	W020
10	125mm Ball End Allen Key 5mm	1	-
11	Instructions		R1261

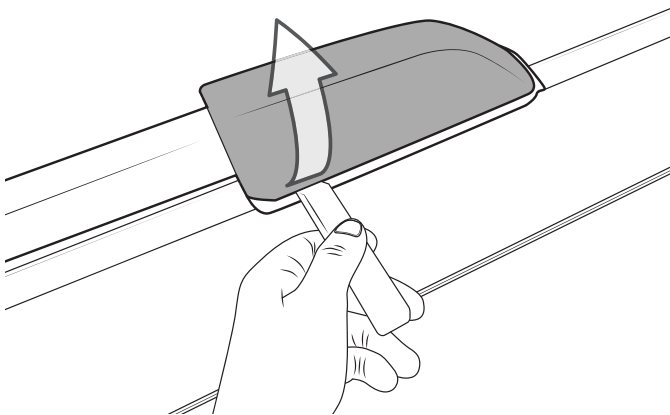
Tools Required:



1. Socket Set

Instructions

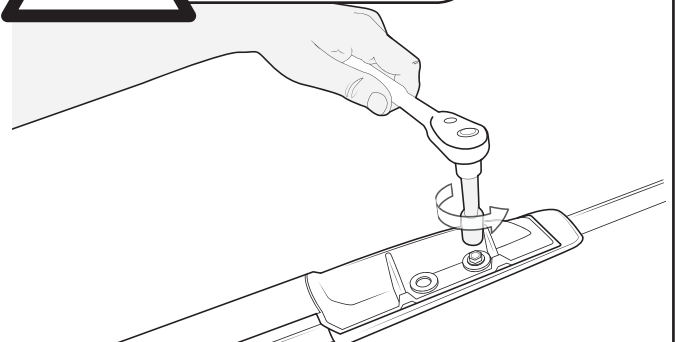
- 1** With a nylon scrape or similar, carefully pry the factory rail Cover off from the outside of the vehicle.



- 2** Remove M8 Bolts from either end of the factory rail.

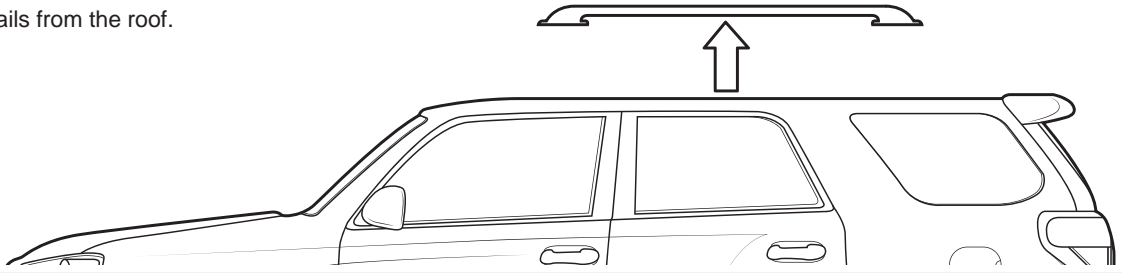


When loosening bolts, loosen bolts progressively together. Failure to do so can dislodge nutplate within roof cavity

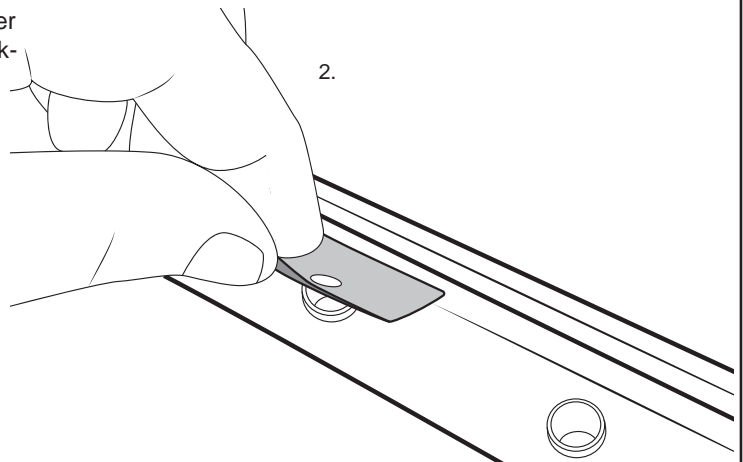
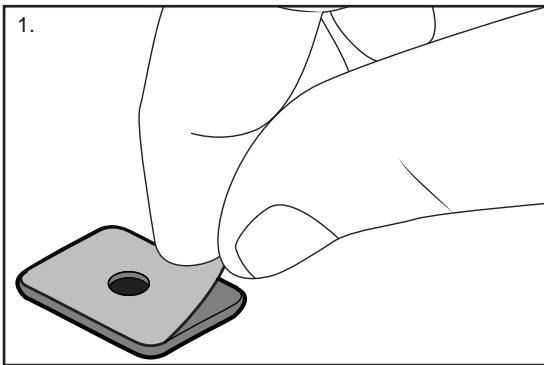


Toyota 4Runner Backbone - RT4B1

- 3** Remove the rails from the roof.

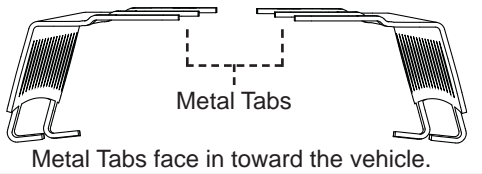


- 4** Peel off the one side of backing tape on the 40mm x 25mm butyl patches provided. Place these carefully over all threaded mount points. Remove the top layer of backing tape as shown.

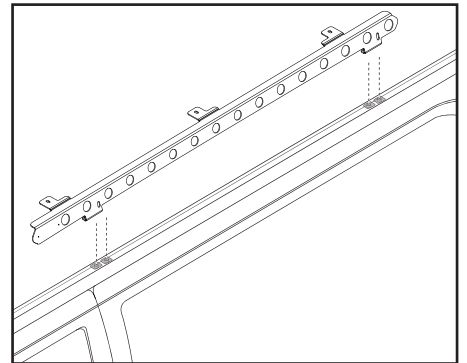
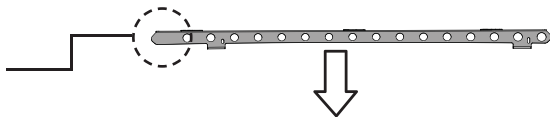


- 5** Place the backbone onto the roof of the vehicle. Line up the mounting points of the bracket to the those exposed on the roof in the previous steps.

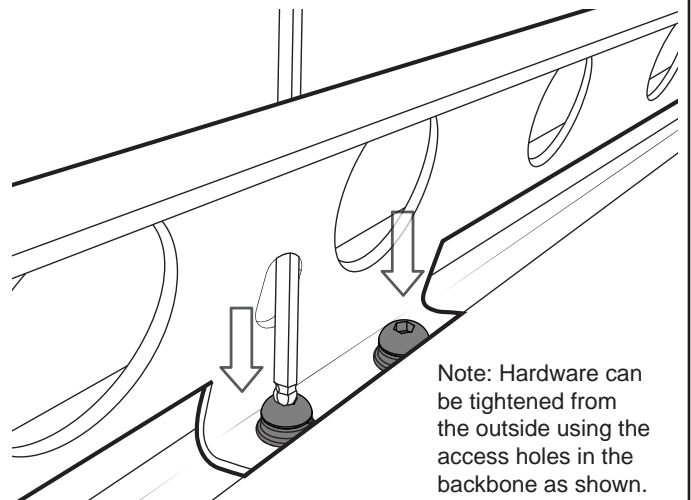
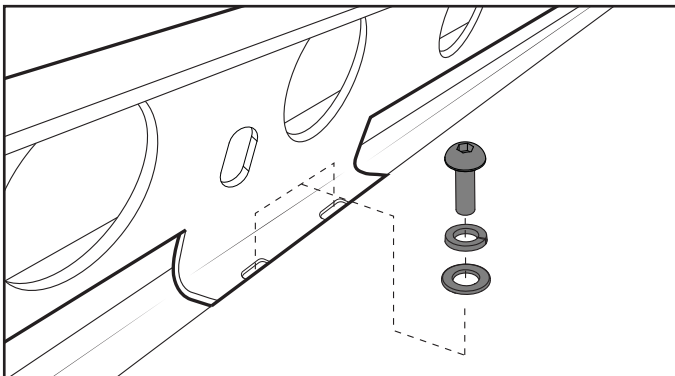
Front View:



Logo position
is at the front
on each side.



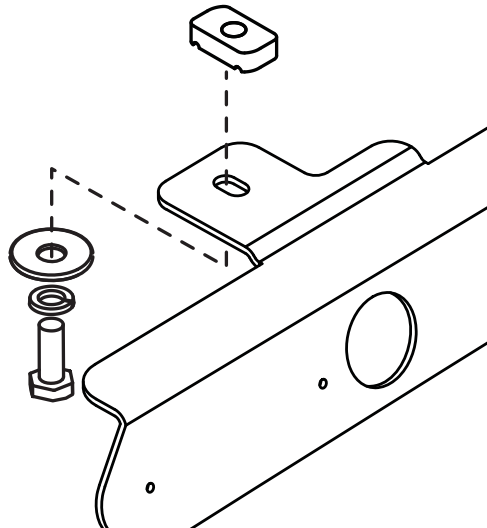
- 6** Using the M8 dome screws, M8 spring and flat 16mm washers, place the hardware into mounting holes of rails. Make sure hardware and holes align with roof mounts before proceeding.



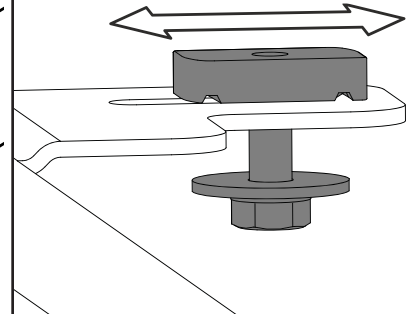
Note: Hardware can be tightened from the outside using the access holes in the backbone as shown.

Toyota 4Runner Backbone - RT4B1

7 Assemble M8 hardware as pictured below. Complete this for the four tabs on top of the backbone rails (two each rail).



Note: For easy Pioneer installation. Align as shown

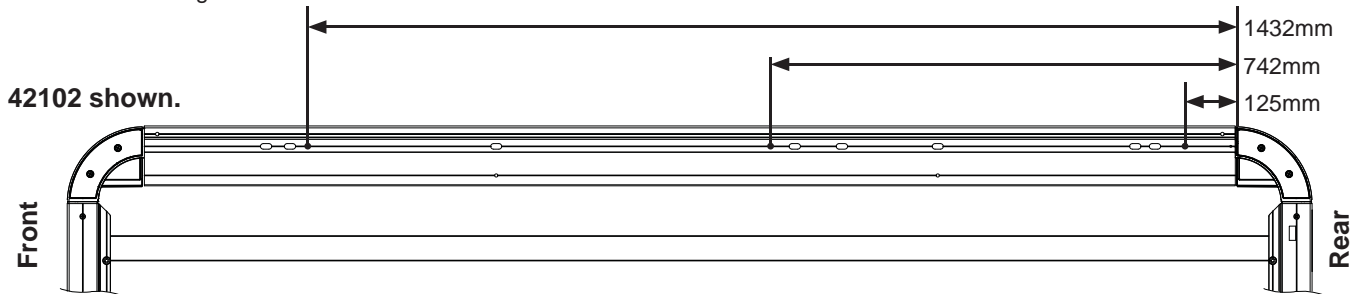


8 Install Pioneer underbars with slots indicated (42102B, 41102B or 45102B).
REAR: 125mm from Rear (drill)
MIDDLE: 742mm from Rear (drill)
FRONT: 1432mm from Rear (drill)
 The rear slot will have to be drilled with an 8.5mm drill bit. For detailed underbar installation instructions, refer to Pioneer fitting instructions.

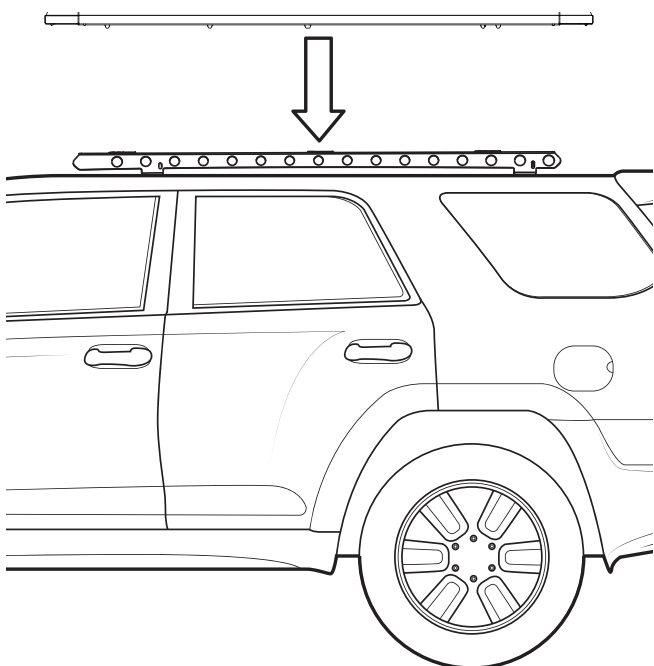


If rear overhanging accessories are to be fitted, drill and fit underbars at the following locations.

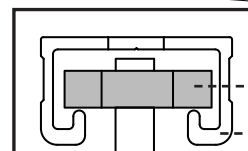
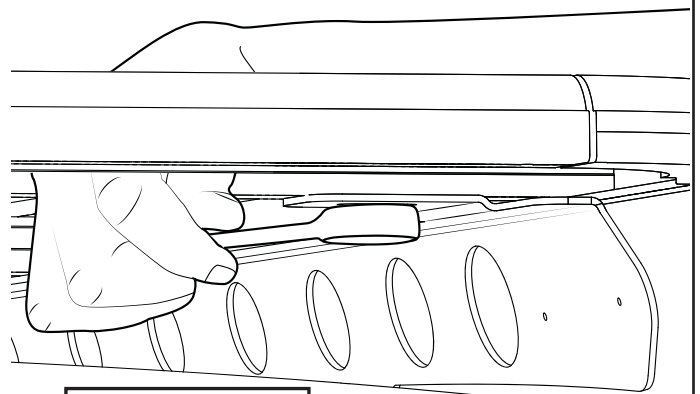
REAR: 55mm from Rear (drill)
MIDDLE: 672mm from Rear (drill)
FRONT: 1362mm from Rear (drill)



9 After underbars have been correctly fitted, place the Pioneer tray on top of the Backbone. Align the underbars with the top tabs and ensure the M8 hardware fits into underbar channel.



10 Once Pioneer underbars have been aligned properly, tighten all M8 hardware using 13mm (1/2") socket wrench or 13mm (1/2") spanner. Ensure channel nut has rotated within Pioneer underbar and is fixing Pioneer securely.



--- Channel Nut
 --- Pioneer Underbar